

PA730



Display size
10"-29"



Max load
25lb (11kg)

PARAMOUNT™

Articulating Wall Mount

FOR 10" TO 29" DISPLAYS

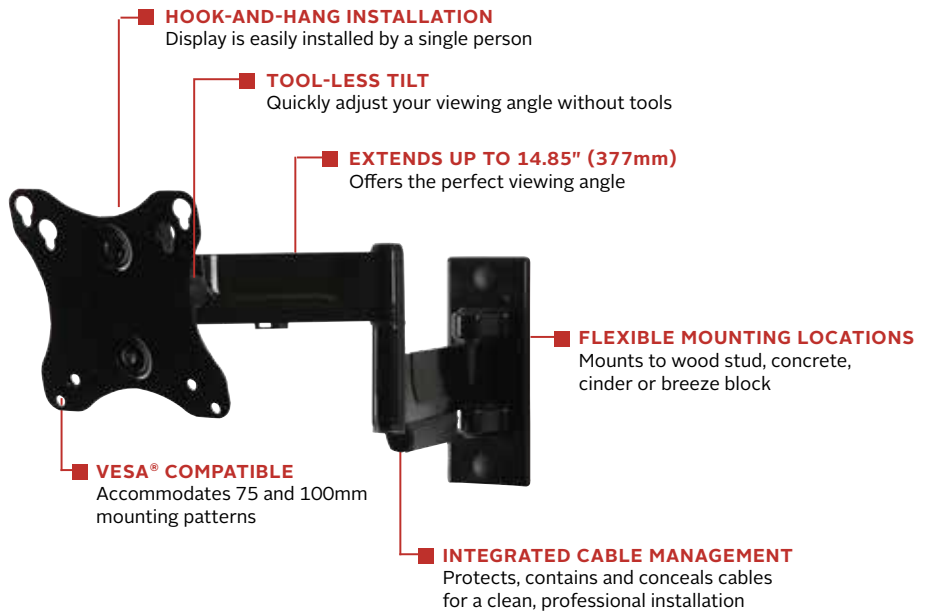
The Paramount™ series wall mounts provide versatile and multi-functional features. With PA730, extend the display up to 14.85" (377mm) or fully-retract it to just 2.73" (69mm) from the wall for the perfect viewing angle. The Hook-and-Hang™ system offers easy, one-person installation of the display. One-Touch™ tilt technology offers $\pm 15^\circ$ vertical tilt movement for the ideal viewing angle. Integrated cable management protects, contains and conceals cables for a clean installation.

Full-motion capabilities allow you to swivel, tilt, extend or retract your display for the perfect viewing angle.



Additional Features

- ✓ Extends 14.85" (377mm) from the wall
- ✓ Retracts to 2.73" (69mm) to save space
- ✓ One-Touch tilt mechanism offers $\pm 15^\circ$ of tilt angle adjustment
- ✓ $\pm 5^\circ$ of roll for post installation display leveling
- ✓ $\pm 90^\circ$ of pivot
- ✓ VESA® 75 and 100mm compliant
- ✓ Design is UL listed and tested to four times stated load capacity



Swivel, tilt, extend or retract the display for the perfect viewing angle



Comes in color packaging with included installation hardware and easy to follow instructions.



Please visit peerless-av.com/en-us/patents for patent information.

info@peerless-av.com
peerless-av.com

peerless-AV®

PA730	Paramount™ Articulating Wall Mount for 10" to 29" Displays
--------------	--

Product Specifications

	DIMENSIONS (W x H x D)	PRODUCT WEIGHT	LOAD CAPACITY	FINISH	AVAILABLE COLORS
PA730	8.96" x 7.41" x 2.73"-14.85" (228 x 188 x 69-377mm)	2.65lb (1.20kg)	25lb (11kg)	Scratch resistant fused epoxy	Gloss black

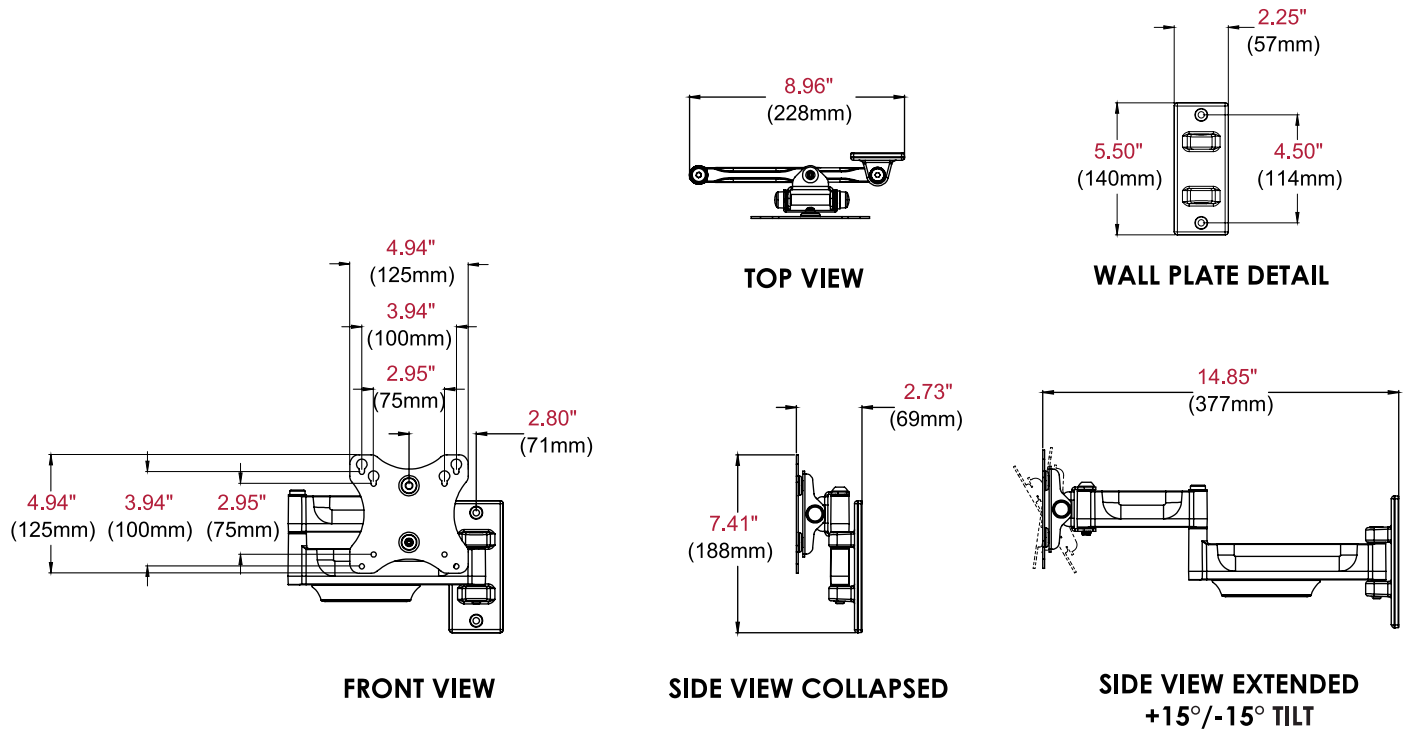
Package Specifications

	PACKAGE SIZE (W x H x D)	PACKAGE SHIP WEIGHT	PACKAGE UPC CODE	PACKAGE CONTENTS	UNITS IN PACKAGE
PA730	9.06" x 2.76" x 11.57" (230 x 70 x 294mm)	3.55lb (1.61kg)	735029251033	Wall mount, wall and display installation hardware, installation instructions	1

Accessories

- WSP700/701:** Metal Stud Wall Plates for 16"/24" Center Metal Studs
- ACC2X1:** VESA® 200 x 100mm Adaptor Plate
- ACC918:** Security Fasteners

All dimensions = inch (mm)



Architect Specifications

The Paramount™ Articulating Wall Mount shall be a Peerless-AV model PA730 and shall be located where indicated on the plans. Assembly and installation shall be done according to instructions provided by the manufacturer.

Visit peerless-av.com to see the complete line of AV solutions from Peerless-AV, including outdoor displays, wireless, kiosks, digital audio, display mounts, projector mounts, carts/stands, and a full assortment of accessories.

Peerless-AV
2300 White Oak Circle
Aurora, IL 60502 USA

(800) 865-2112
(630) 375-5100
Fax: (800) 359-6500

Peerless-AV Europe
Unit 3 Watford Interchange
Colonial Way, Watford
Herts, WD24 4WP
United Kingdom
+44 (0) 1923 200100
Fax: +44 (0) 1923 200101

Peerless-AV de México
Ave de las Industrias 413
Parque Industrial Escobedo
Escobedo, N.L.,
Mexico 66050
+52 (81) 8384-8300
Fax: +52 (81) 8384-8360

