

ESA763PU



Display size
32"-80"



Max load
200lb (90.7kg)

Outdoor Articulating Wall Mount

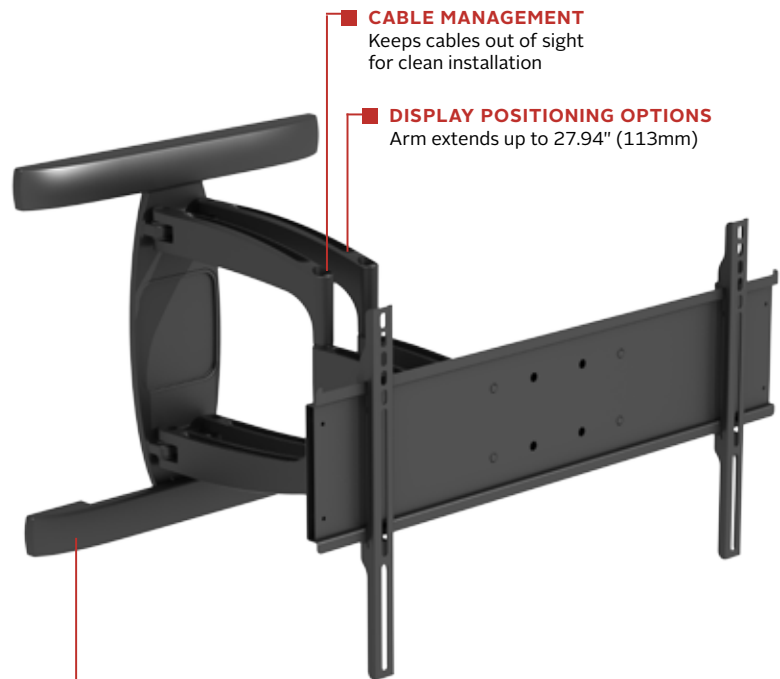
FOR 32" TO 80" INDOOR OR OUTDOOR DISPLAYS

Peerless-AV's Outdoor Articulating Wall Mount is the ideal mounting solution for 32"-80" indoor or outdoor displays. The ESA763PU is specially coated with a protective anti-corrosive e-coating that repels against damaging temperature-related and outdoor corrosive elements. This all-season mounting solution is ideal for patios or decks, as well as installations in humid indoor areas like sun-rooms, locker rooms, bathrooms, car washes, indoor pools or water parks.

The ESA763PU is fully protected from all outdoor elements with a corrosion-resistant coating.

Additional Features

- ✓ Made of corrosion-resistant materials for weather resistance
- ✓ Fits displays with mounting patterns up to 730 x 405mm (28.74"W x 15.94"H) and up to 600 x 400mm VESA® compliant
- ✓ Dual arm construction for added strength and smooth motion on larger displays
- ✓ Universal model extends from 4.44" (113mm) to 27.94" (710mm) from the wall
- ✓ Minimalistic wall plate footprint for increased wall access and improved aesthetic
- ✓ Integrated cable management provides ample area to run cables to complete a professional and discrete installation
- ✓ IncreLok™ tilt allows adjustment of +15°/-5°
- ✓ Wood, concrete and cinder block mounting hardware included



■ **CABLE MANAGEMENT**
Keeps cables out of sight for clean installation

■ **DISPLAY POSITIONING OPTIONS**
Arm extends up to 27.94" (710mm)

■ **POST INSTALLATION HORIZONTAL ADJUSTABILITY**
Double stud mounting option with 4.5" (114mm) of horizontal adjustment



RoHS
2002/95/EC

ESA763PU Outdoor Articulating Wall Mount for 32" to 80" Indoor or Outdoor Displays

Product Specifications

	DIMENSIONS (W x H x D)	PRODUCT WEIGHT	LOAD CAPACITY	FINISH	AVAILABLE COLORS
ESA763PU	30.75" x 19.92" x 4.44"-27.94" (781 x 506 x 113 - 710mm)	36.7lb (16.6kg)	200lb (91kg)	E-Coat Covered with Outdoor Powder Paint	Black

Package Specifications

	PACKAGE SIZE (W x H x D)	PACKAGE SHIP WEIGHT	PACKAGE UPC CODE	PACKAGE CONTENTS	UNITS IN PACKAGE
ESA763PU	37.75" x 21.25" x 5.63" (958 x 539 x 142mm)	42.7lb (19.4kg)	735029276050	Mount and Mounting Hardware	1

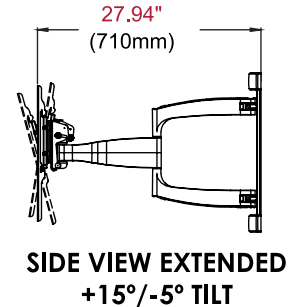
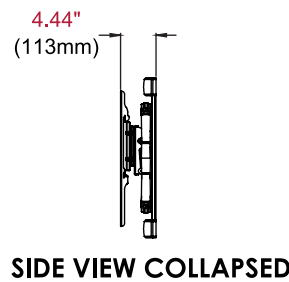
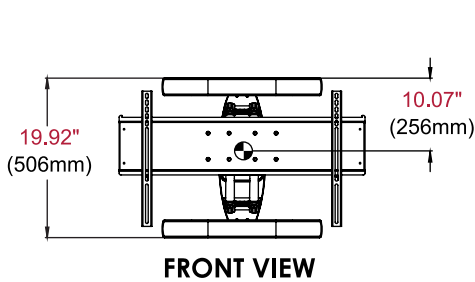
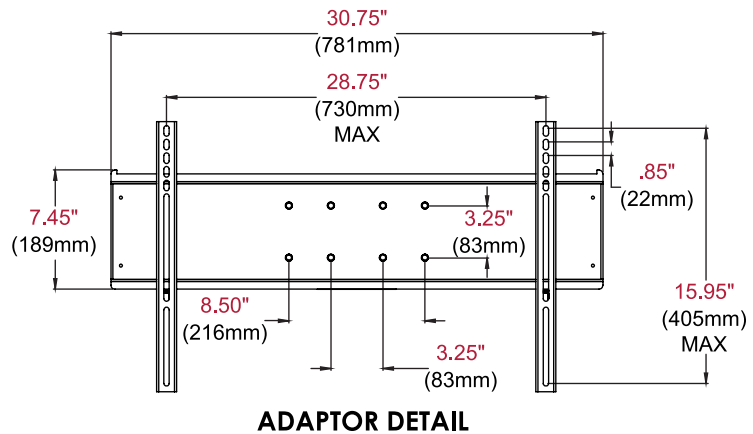
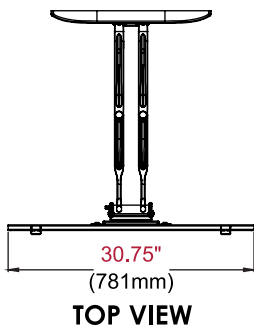
Accessories

HDS-OWK-200: Wireless Outdoor Kit
HDS-OWRE-200: Wireless Outdoor Module

Compatible with

CL models: Xtreme™ Outdoor Displays
UV models: UltraView™ Outdoor TVs

All dimensions = inch (mm)



Architect Specifications

The Outdoor Articulating Wall Mount shall be a Peerless-AV model ESA763PU and shall be located where indicated on the plans. Assembly and installation shall be done according to instructions provided by the manufacturer.

Visit peerless-av.com to see the complete line of AV solutions from Peerless-AV, including outdoor displays, wireless, kiosks, digital audio, display mounts, projector mounts, carts/stands, and a full assortment of accessories.

Peerless-AV
 2300 White Oak Circle
 Aurora, IL 60502 USA
(800) 865-2112
(630) 375-5100
Fax: (800) 359-6500

Peerless-AV Europe
 Unit 3 Watford Interchange
 Colonial Way, Watford
 Herts, WD24 4WP
 United Kingdom
+44 (0) 1923 200100
Fax: +44 (0) 1923 200101

Peerless-AV de México
 Ave de las Industrias 413
 Parque Industrial Escobedo
 Escobedo, N.L.,
 Mexico 66050
+52 (81) 8384-8300
Fax: +52 (81) 8384-8360

