

DS-VW765-LAND



Display size
40"-65"



Max load
125lb (57kg)



SMARTMOUNT.

Full-Service Video Wall Mount - Landscape

FOR 40" TO 65" DISPLAYS

Peerless-AV's Full-Service Video Wall Mount is easy to configure, quick to install and a snap to maintain. Create any configuration imaginable, but leave the tedious calculations to the custom wall plate spacers. The mount's innovative design is loaded with time-saving features like no-tool-required micro-adjustments and easy-access to any display for quick serviceability.

The DS-VW765-LAND's pull-out/prop-open mechanism provides quick serviceability and easy-access, so you can achieve a seamless video wall in no time

Additional Features

- ✓ Modular mount for unlimited video wall display configurations
- ✓ Displays click securely into place against the wall with spring-loaded mechanism
- ✓ Displays and mounts sit flush against the wall for a clean side appearance
- ✓ Pull-out/prop-open mechanism provides quick service access
- ✓ Integrated cable management tie-backs make display-to-display cabling simple
- ✓ Included security hardware prevents the mount from extending out from the wall
- ✓ Adjustable VESA® mounting hole patterns in 100mm increments, starting at 200 x 200mm up to 700 x 400mm, additional patterns supported with adapter plates

- **EASY PULL-OUT SERVICE ACCESS**
Easy-to-use pull-out/prop-open mechanism provides quick service access; spring-loaded mechanism securely clicks the display back into place
- **NO TEDIOUS CALCULATIONS NO GUESSWORK**
Custom wall plate spacers eliminate the guesswork and on-site installation calculations
- **OPEN WALL PLATE ARCHITECTURE**
Allows for total wall access that increases electrical and cable management options
- **CLEAN LOOK**
Integrated cable management tie-backs make display-to-display cabling easier
- **NO TOOLS REQUIRED FOR MICRO-ADJUSTMENT**
Simple, tool-less micro-adjustments at 8 points seamlessly align the displays



Single Unit with Display



Full-Service Access



Tool-less Micro Adjustments



Wall Plate Spacers (Sold separately)



Please visit peerless-av.com/en-us/patents for patent information.

info@peerless-av.com
peerless-av.com

peerless-AV®

DS-VW765-LAND	SmartMount® Full-Service Video Wall Mount for 40"-65" Displays - Landscape
----------------------	--

Product Specifications

	DIMENSIONS (W X H X D)	PRODUCT WEIGHT	LOAD CAPACITY	FINISH	AVAILABLE COLORS
DS-VW765-LAND	35.00" x 20.00" x 3.08"-3.83" (890 x 508 x 78-97mm)	33.0lb (15kg)	125lb (56.8kg)	Scratch resistant fused epoxy	Black

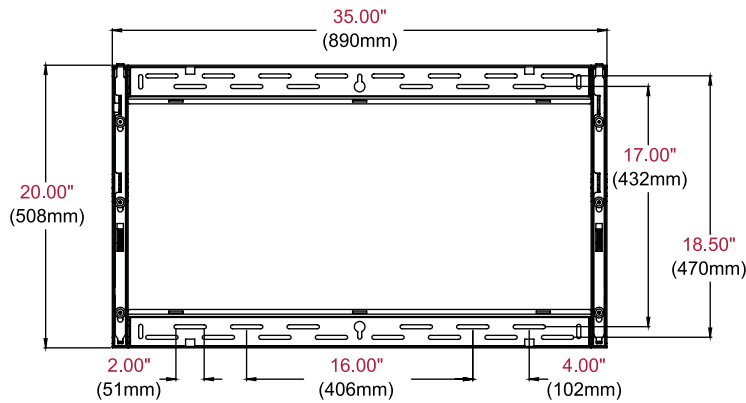
Package Specifications

	PACKAGE SIZE (W x H x D)	PACKAGE SHIP WEIGHT	PACKAGE UPC CODE	PACKAGE CONTENTS	UNITS IN PACKAGE
DS-VW765-LAND	37.13" x 22.25" x 4.25" (943 x 565 x 108mm)	37.95lb (17.25kg)	735029278771	Wall mount assembly, mounting attachment rails, fasteners	1

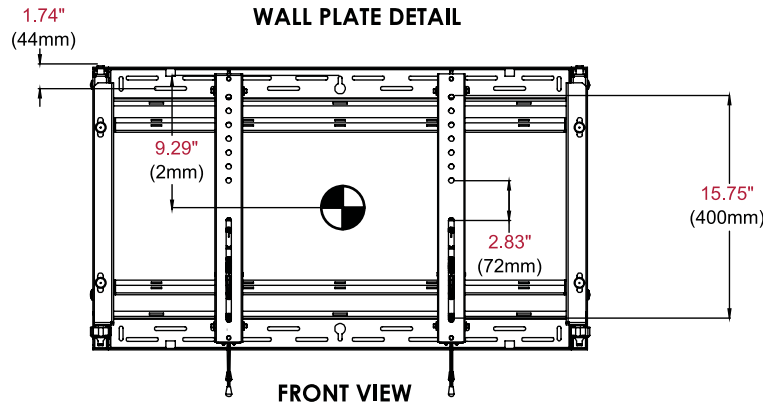
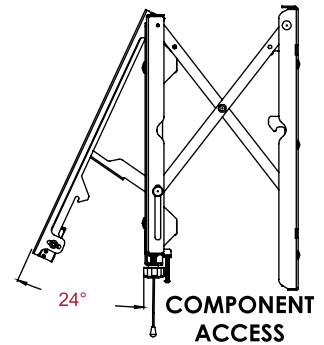
Accessories

- DS-VWS###:** Wall Plate Alignment Spacers
- DS-ACC765:** Cable Release Kit
- DS-ACC770:** Media Player Mounting Bracket
- ACC-V600800:** Adaptor accessory for 800 x 400mm mounting patterns
- PLP-XXX:** PLP Adaptor Plates

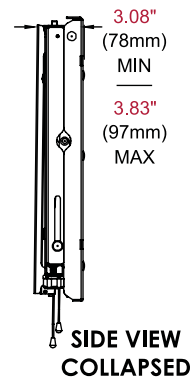
All dimensions = inch (mm)



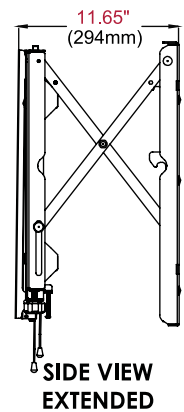
WALL PLATE DETAIL



FRONT VIEW



SIDE VIEW COLLAPSED



SIDE VIEW EXTENDED

Architect Specifications

The SmartMount® Full-Service Video Wall Mount - Landscape shall be Peerless-AV model DS-VW765-LAND and shall be located where indicated on the plans. It shall be constructed of heavy gauge steel. The finish shall be scratch resistant black fused epoxy. Assembly and installation shall be done according to instructions provided by the manufacturer.

Visit peerless-av.com to see the complete line of AV solutions from Peerless-AV, including outdoor displays, wireless, kiosks, digital audio, display mounts, projector mounts, carts/stands, and a full assortment of accessories.

Peerless-AV
2300 White Oak Circle
Aurora, IL 60502 USA
(800) 865-2112
(630) 375-5100
Fax: (800) 359-6500

Peerless-AV Europe
Unit 3 Watford Interchange
Colonial Way, Watford
Herts, WD24 4WP
United Kingdom
+44 (0) 1923 200100
Fax: +44 (0) 1923 200101

Peerless-AV de México
Ave de las Industrias 413
Parque Industrial Escobedo
Escobedo, N.L.,
Mexico 66050
+52 (81) 8384-8300
Fax: +52 (81) 8384-8360

