

FPEWM

Indoor/Outdoor Tilting Wall Mount

For Protective Enclosures (FPE42F(H), FPE47F(H) & FPE55F(H))

Peerless' Indoor/Outdoor Tilting Wall Mount is made from robust, corrosion resistant materials, primed with special e-coat and comes with stainless steel hardware, designed to last in virtually any environment. This mount expedites and simplifies indoor and outdoor installations with hook-and-hang set-up, viewing angle adjustment with its 0° to 20° incremental tilt feature and is designed to last and last in virtually any application, indoors and outdoors. It is the ideal solution for mounting a Protective Enclosure to a wall for any entertainment and digital signage installation.



Screen size: 40"-55"



Max load: 400lb (181kg)

FEATURES

- For indoor or outdoor use
- Constructed from corrosion resistant materials, coated with a special e-coat and comes with stainless steel hardware to endure the harshest environments
- Incremental tilt settings from 0° to 20° to find the best viewing angle

VIEWING ANGLE OPTIONS

Incremental tilt settings enable the best viewing angle



SIMPLE SET-UP

Hook-and-hang design helps attach enclosure to mount and hold the weight load while fine tuning adjustments



For use with Peerless Protective Enclosures, sold separately



RoHS
2002/95/EC

MADE IN
USA

CLICK: www.peerlessmounts.com

CALL: 800.865.2112

FAX: 708.865.2941

peerless®

Model Numbers

WARRANTY: Limited 5-year on mount
Limited 1 Year Warranty on corrosion

FPEWM: Indoor/Outdoor Tilting Wall Mount for Protective Enclosures (FPE42(H)-S, FPE47(H)-S & FPE55(H)-S)

Product Specifications

	DIMENSIONS (W x H x D)	PRODUCT WEIGHT	LOAD CAPACITY	FINISH	AVAILABLE COLORS
FPEWM	18.79" x 18.22" x 6.26" (477 x 462 x 159mm)	36lb (16kg)	400lb (181kg)	Outdoor gloss powder paint	Stone gray

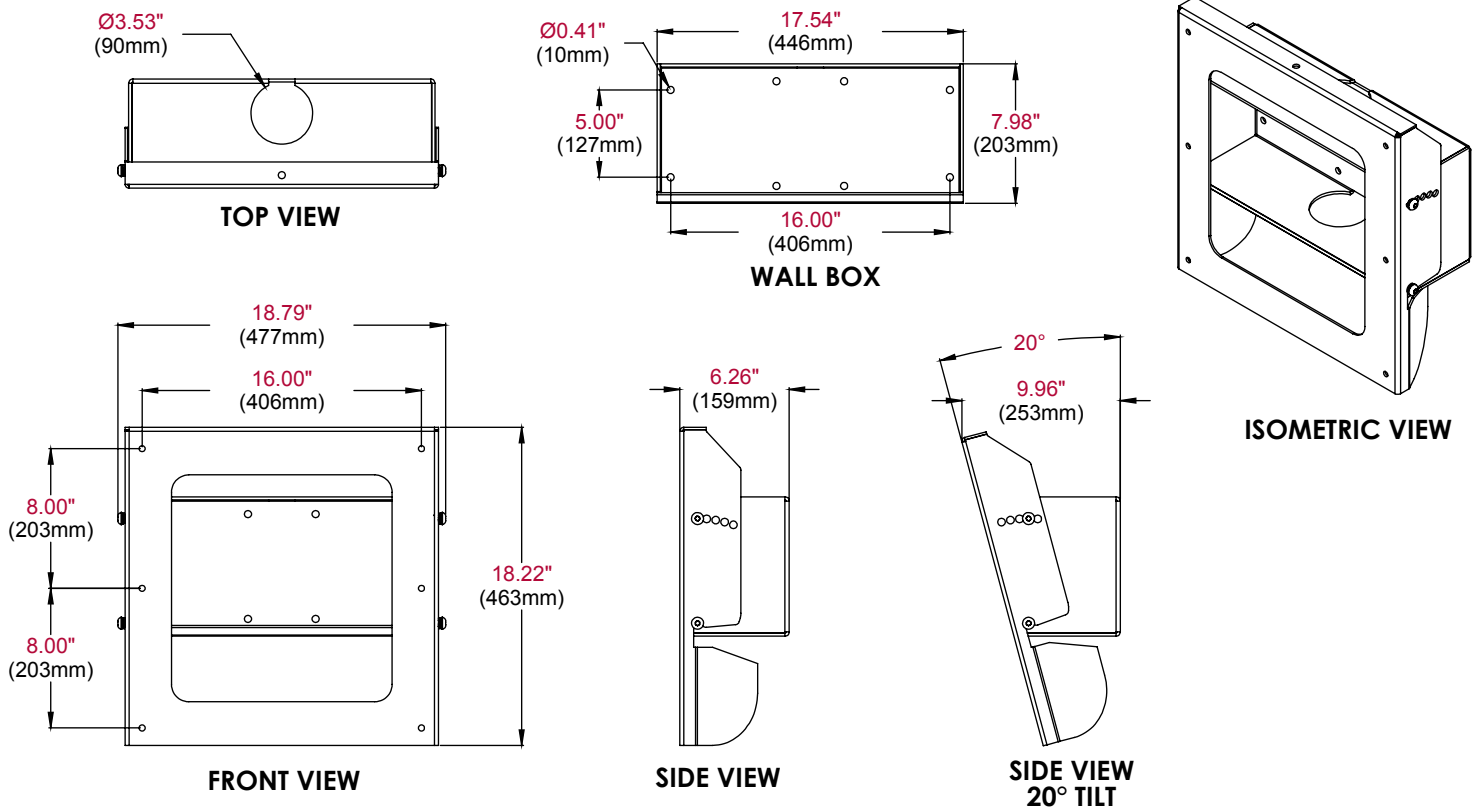
Package Specifications

	PACKAGE SIZE (W x H x D)	PACKAGE SHIP WEIGHT	PACKAGE UPC CODE	PACKAGE CONTENTS	UNITS IN PACKAGE
FPEWM	23.63" x 19.38" x 10.38" (600 x 492 x 264mm)	38lb (17kg)	735029273011	Tilt wall mount and mounting hardware	1

Accessories

- FPE42F-S:** Indoor/Outdoor Protective Enclosure with Cooling Fans for 40"-42" Flat Panel Screens
- FPE47F-S:** Indoor/Outdoor Protective Enclosure with Cooling Fans for 46"-47" Flat Panel Screens
- FPE55F-S:** Indoor/Outdoor Protective Enclosure with Cooling Fans for 52"-55" Flat Panel Screens
- FPE42FH-S:** Indoor/Outdoor Protective Enclosure with Cooling Fans and Thermostat Controlled Heater for 40"-42" Flat Panel Screens
- FPE47FH-S:** Indoor/Outdoor Protective Enclosure with Cooling Fans and Thermostat Controlled Heater for 46"-47" Flat Panel Screens
- FPE55FH-S:** Indoor/Outdoor Protective Enclosure with Cooling Fans and Thermostat Controlled Heater for 52"-55" Flat Panel Screens

All dimensions = inch (mm)



ARCHITECTS SPECIFICATIONS

The Indoor/Outdoor Tilting Wall Mount shall be a Peerless model number FPEWM and located where indicated on the plans. Assembly and installation shall be done according to instructions provided by the manufacturer. Mount is made of heavy gauge cold rolled steel. Mount is finished with a glossy ASA-70 gray protective paint.

Peerless Industries, Inc. ■ 2300 White Oak Circle ■ Aurora, IL 60502 ■ (800) 865-2112 ■ (708) 865-8870 ■ Fax: (708) 865-2941 ■ www.peerlessmounts.com

Visit peerlessmounts.com to see the full line of Peerless LCD/plasma, projector and TV/monitor mounts. © 2010 Peerless Industries, Inc. All rights reserved. LIT-0634

peerless®