

PS200

Adjustable Shelf for A/V Components

A versatile solution that not only looks great, but let's you easily incorporate A/V components into virtually any environment. This flexible and space-saving shelf gets components organized and out of the way. It offers a low-profile solution that mounts to two studs allowing you to center the shelf and components under the screen, completing the picture-perfect installation.



Max load: 100lb (45kg)

FEATURES

- Double-stud installation allows A/V equipment to be centered directly underneath flat panel screen
- Adjustable width up to 18" and depth range of 15" to 23" accommodate even largest receivers, multi-disk DVD players
- Decorative snap-on covers conceal all mounting hardware
- Adjustment knobs allows for easy leveling of components
- Embossed arms with screw holes secure components to shelf
- 100lb (45kg) load capacity allows stacking of multiple components, ideal for A/V closets

■ **SLEEK AESTHETIC**
Decorative snap-on covers conceal all mounting hardware

■ **UNIVERSAL COMPATIBILITY**
Adjustable arms to match the footprint of any component



Levelling made easy with the use of adjustment knobs



PS200	Adjustable Shelf for A/V Components
--------------	-------------------------------------

Product Specifications

	DIMENSIONS (W x H x D)	PRODUCT WEIGHT	LOAD CAPACITY	FINISH	AVAILABLE COLORS
PS200	15.96"-18.44" x 4.25" x 14.86"-23" (405-468 x 108 x 377-584mm)	8.8lb (4kg)	100lb (45kg)	Scratch resistant fused epoxy, plastic	Gloss black

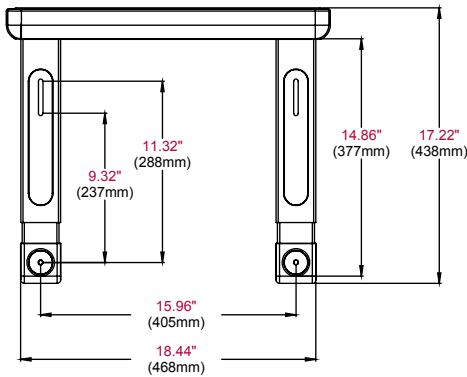
Package Specifications

	PACKAGE SIZE (W x H x D)	PACKAGE SHIP WEIGHT	PACKAGE UPC CODE	PACKAGE CONTENTS	UNITS IN PACKAGE
PS200	9.5" x 4.25" x 22.25" (241 x 208 x 565mm)	10.7lb (5kg)	735029253402	Wall plate, adjustable arms, covers, assembly and attachment hardware	1

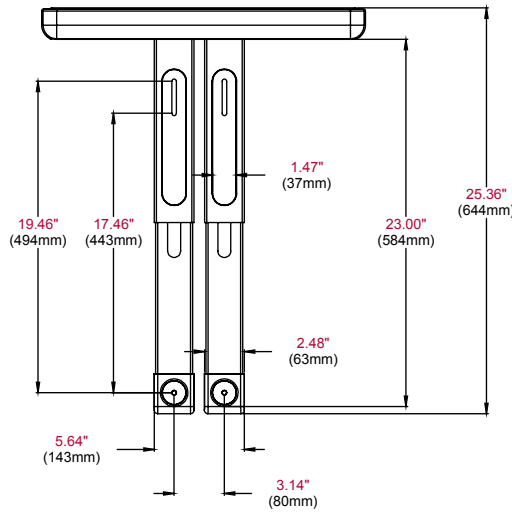
Accessories

ACC215:	2-pack Metal Stud Fastener Kit
----------------	--------------------------------

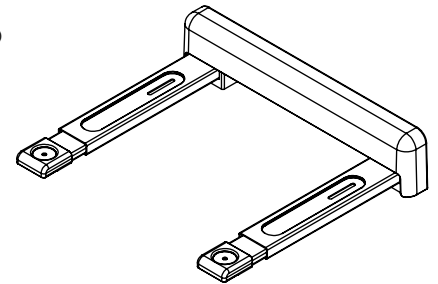
All dimensions = inch (mm)



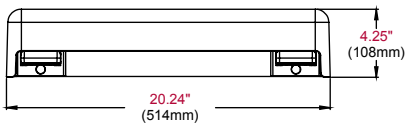
TOP VIEW
MAXIMUM EXTENDED WIDTH
MINIMUM RETRACTED LENGTH



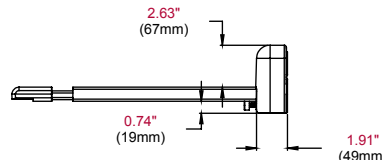
TOP VIEW
MINIMUM RETRACTED WIDTH
MAXIMUM EXTENDED LENGTH



ISOMETRIC VIEW



FRONT VIEW



SIDE VIEW

ARCHITECTS SPECIFICATIONS

The A/V Component Shelf shall be a Peerless model PS200 and shall be located where indicated on the plans. It shall be constructed of heavy gauge steel. The finish shall be scratch resistant gloss black fused epoxy. Assembly and installation shall be done according to instructions provided by the manufacturer.