

Installation and Assembly - Truss Ceiling Decoupler Adapter

Model: DCT 100

IMPORTANT! Read entire instruction sheet before you start installation and assembly.



This product must be installed by a qualified, professional installer.

WARNING

- Installer must verify that the ceiling truss will safely support four times the combined weight of all attached equipment and hardware.

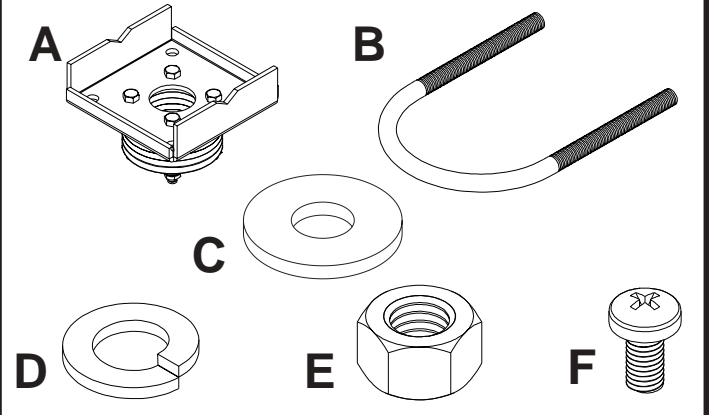
COMBINED BALANCED LOAD CAPACITY:
300 lb (136 kg)*

Before you start make sure all parts listed are included with your product.

Parts List

PART #	QTY.	DESCRIPTION
A	1	ceiling decoupler assembly 128-0418
B	2	U-bolt 520-9241
C	4	washer 540-9407
D	4	lock washer 540-9424
E	4	3/8-16" hex bolt 530-9308
F	1	M5 x 10 mm phillips screw 520-9250

Some parts may appear slightly different than illustrated.



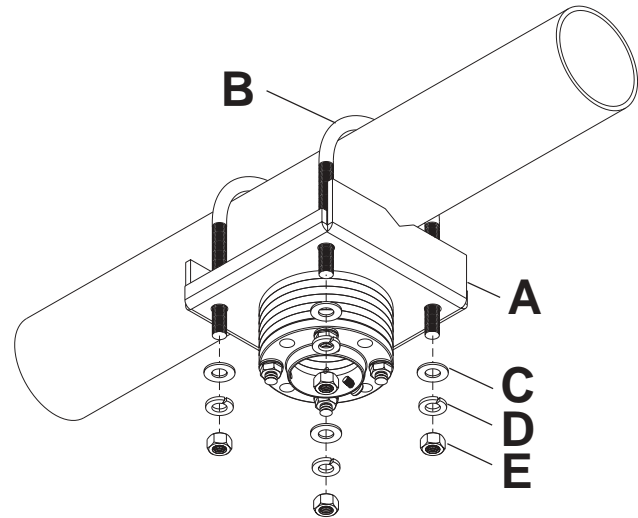
Tools Required

The following tools are required for assembly and installation, but are not included:

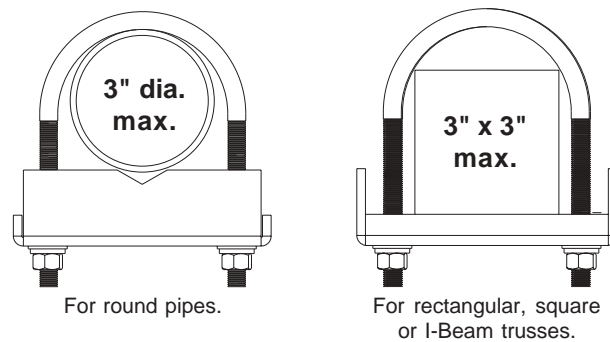
- 9/16" wrench
- Philips screwdriver

- 1 Select the location on the truss for positioning the decoupler assembly (A) and position the U-bolts (B) over the top as shown. Then attach the decoupler assembly (A) from below with the hex bolts (E), lock washers (D) and washers (C) as shown. Tighten bolts to hold decoupler assembly (A) to U-Bolts (B) but leave loose enough to allow for minor adjustment to the angle of the column.

Note: The orientation of the decoupler assembly (A) relative to the truss will depend upon the shape of the truss; see Detail 1 at right.



Detail 1 The orientation of the decoupler assembly will depend on the shape of the truss



*Includes total weight of the components and hardware.

Note: Insert the M5 x 10 mm screw (**F**) into the threaded pipe fitting as directed in the extension column instructions. If you are using an extension pipe without a notch, drill a 1/16" diameter through the pipe and insert the screw through the decoupler assembly (**A**) into the pipe; see Detail 2.

- 2** Attach the adjustable extension column according to the instructions provided with it. Use a level to make sure the column is plumb and make adjustments as necessary.
- 3** Tighten the hex bolts (**E**) to a maximum of 25 lbf·ft (34 N·m) so that the lock washers (**D**) become flat. Mount your bracket according to the instructions provided with it.

