

| I-Beam Clamps |                    |                    |                    |                |                 |                |               |
|---------------|--------------------|--------------------|--------------------|----------------|-----------------|----------------|---------------|
| Model #       | Weight             | *Shipping Weight   | **Maximum Load     | A              |                 | B              |               |
|               |                    |                    |                    | MIN            | MAX             | MIN            | MAX           |
| ACC558        | 4.4 lb<br>(2 kg)   | 4.8 lb<br>(2.2 kg) | 250 lb<br>(113 kg) | 4"<br>(101 mm) | 8"<br>(128 mm)  | .25"<br>(6 mm) | 1"<br>(25 mm) |
| ACC559        | 4.8 lb<br>(2.2 kg) | 5.3 lb<br>(2.4 kg) | 250 lb<br>(113 kg) | 7"<br>(128 mm) | 12"<br>(304 mm) | .25"<br>(6 mm) | 1"<br>(25 mm) |

\*Shipping weight based on single unit shipment. Per unit shipping weight may be less for bulk orders.

\*\*Combined weight of all attached hardware and components.

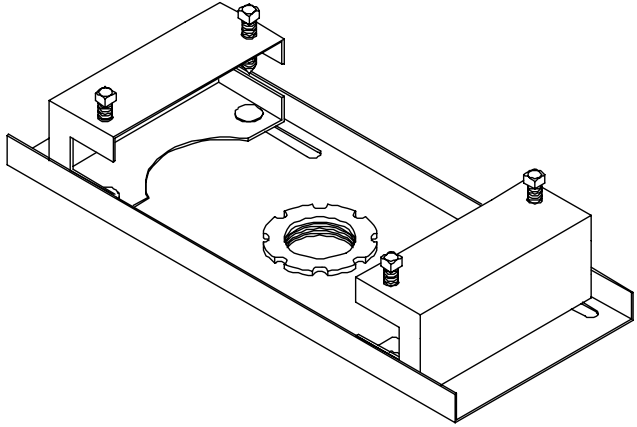
The I-Beam Clamp is designed to anchor a Peerless ceiling mount to an overhead I-beam. Two sizes are available, with a 4" (102 mm) or 5" (127 mm) adjustment range. The 1 1/2-11.5 NPS threaded fitting is compatible with Peerless Extension Columns (several models available, both fixed length and adjustable).

**Features:**

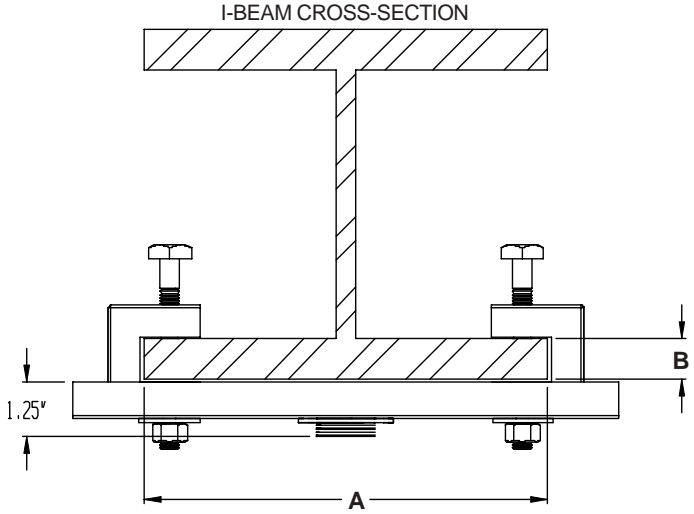
- Adjustable Clamping I-beam interface
- Scratch-resistant black fused epoxy finish

**Important:**

Architect or installer must verify that the I-beam will safely support the combined load of all attached hardware and components.



ISOMETRIC VIEW



SIDE VIEW

I-BEAM CROSS-SECTION



This product must be installed by a qualified, professional installer.

ARCHITECTS SPECIFICATIONS

The I-beam Clamp shall be a Peerless model \_\_\_\_\_ and shall be mounted where indicated on the plans. It shall feature a 4" (102 mm) or 5" (127 mm) adjustment range and a clamping I-beam interface. It shall be constructed primarily of 14 gage cold rolled steel and finished in black fused epoxy. It shall be UL listed. Assembly and installation shall be done according to the instructions provided by the manufacturer.



Peerless Industries, Inc. 3215 W. North Ave. Melrose Park, IL 60160  
708-865-8870 800-865-2112 Fax 708-865-2941 www.peerlessindustries.com

TECHNICAL DATA SHEET

I-Beam Clamps

©2003 Peerless Industries, Inc. All rights reserved.  
Peerless is a registered trademark of Peerless Industries, Inc.  
All other brand and product names are trademarks or registered trademarks of their respective owners.