

TECHNICAL DATA SHEET - Unistrut® Adapter for Truss Ceiling



MODEL: ACC 550



The **Unistrut Adapter for Truss Ceilings**, model **ACC 550**, allows equipment weighing up to 250 lb to be mounted below unistrut.

Features:

- Heavy gauge cold rolled steel construction
- Compatible with EXT or ADJ 1 ½ - 11.5 NPT columns

Accessories:

- Fixed length extension column models **EXT 006 - EXT 110**
- Adjustable columns **ADJ 006009 - ADJ 1012**
- For use with 1 5/8" x 1 5/8", 12 gauge Unistrut

Dimensions:

Weight:

1.5 lb (.7 kg)

Shipping weight:

2 lb (.9 kg)

Maximum Load Capacity:

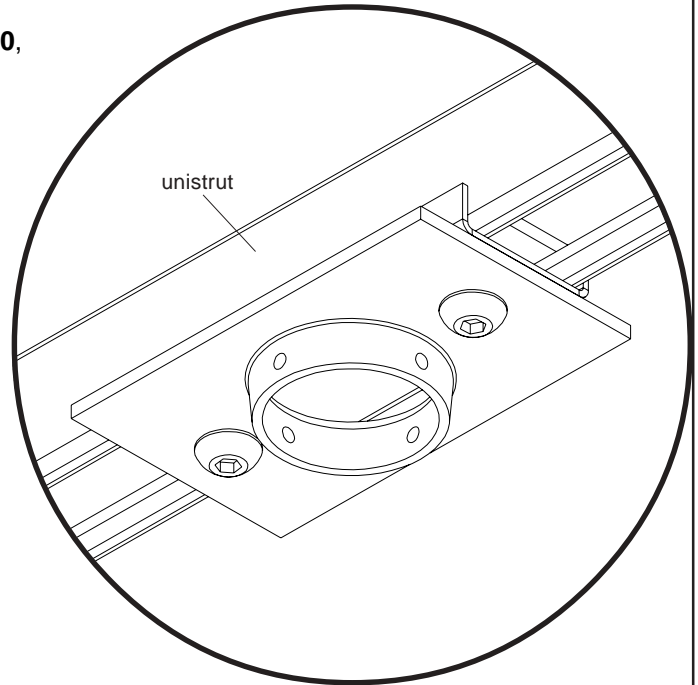
250.00 lb (113.6 kg)

Shipping Carton dimensions:

L= 2.00 in (51 mm)

W= 2.5 in (64 mm)

H= 4.5 in (114 mm)



ARCHITECTS SPECIFICATIONS

The unistrut adapter shall be a Peerless model **ACC 550** and shall be located where indicated on the plans. The unistrut adapter shall be UL Listed. The finish shall be Black Fused Epoxy. Installation shall be made in accordance with the instructions provided by the manufacturer.