

Model **ACC600** Multi-Display Interface Bracket, adapts the Jumbo™ or Jumbo 2000™ Ceiling Mount to round pipes [up to 2" (55mm) in diameter]. Bracket can be used with or without an extension column.

Features:

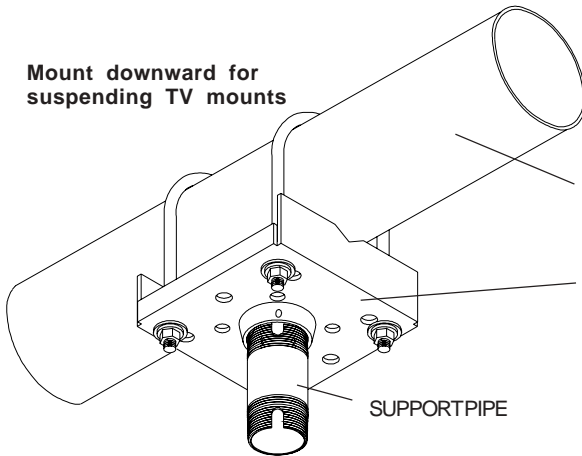
- Heavy gauge cold rolled steel construction.
- Scratch resistant black fused epoxy finish.
- Accommodates straight, curved and circular pipes.

Accessories:

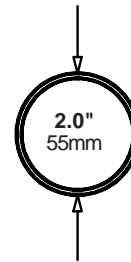
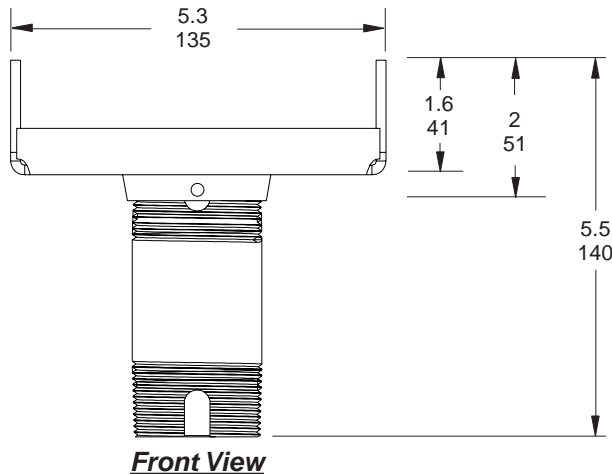
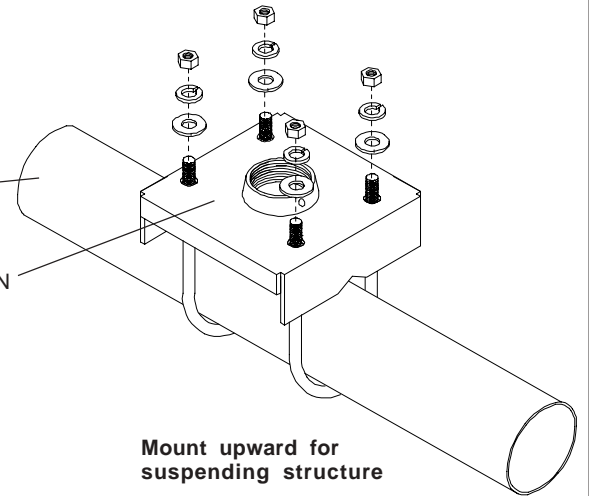
- Fixed length extension columns (EXT models).
- Adjustable length extension columns (ADJ models).

Pipe model numbers		
curved	straight	circular
MDJ701	MDJ700	MDJ760
MDJ711	MDJ710	
MDJ721	MDJ720	

Mount downward for suspending TV mounts



Mount upward for suspending structure



Pipe must be capable of supporting four times the load of attached hardware and components.

MAX. Load - 1200 lb (546 kg)

Shipping Weight: 3.8 lb (1.7 kg)



All dimensions: inch (mm) unless otherwise specified

ARCHITECTS SPECIFICATIONS

The ceiling fixture shall be a Peerless model ACC600 Multi-Display Interface Bracket and shall be mounted where indicated on the plans. The bracket shall adapt a Jumbo Ceiling Mount to a straight, curved or circular pipe types. It shall be constructed of heavy gauge cold rolled steel. The finish shall be scratch resistant black fused epoxy. Assembly and installation shall be done according to instructions provided by the manufacturer.



Peerless Industries, Inc. 3215 W. North Ave. Melrose Park, IL 60160
708-865-8870 800-865-2112 Fax 708-865-2941 www.peerlessindustries.com

TECHNICAL DATA SHEET

Multi-Display Interface Bracket

Issued: 06-1-00 Sheet No. 128-9525-3 8-19-03

page 1