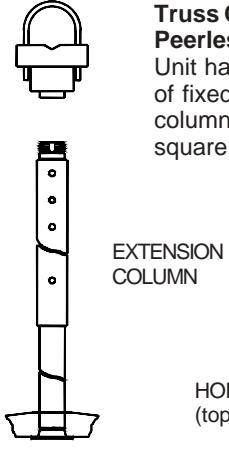


*Total weight of components and hardware

DCT 100

Truss Ceiling Mount with Decoupler for Peerless Jumbo™ TV Mounts.

Unit has 1 1/2-11.5 NPT fitting for attachment of fixed or adjustable length extension column. Ceiling Mount attaches to round, square, rectangular, or I-beam.



***COMBINED BALANCED LOAD CAPACITY: 300 LB**

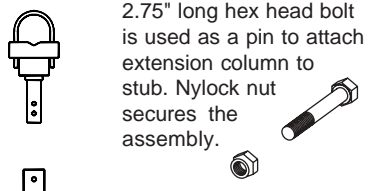
HORIZONTAL CROSS SUPPORT (top of Jumbo Mount TV bracket)

DCT 300

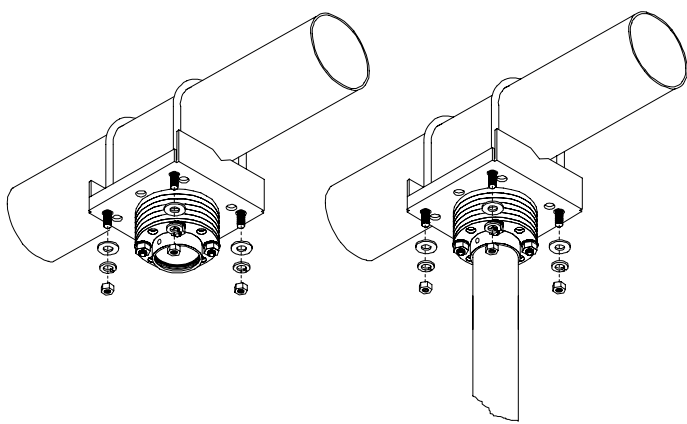
Truss Ceiling Mount with Decoupler for Peerless Multi-Display™ TV Mounts.

Unit has stub fitting for attachment of adjustable length extension column. Ceiling Mount attaches to round, square, rectangular, or I-beam. Column attaches to stub with 2.75" long hex head bolt and nylock nut.

***COMBINED BALANCED LOAD CAPACITY: 1200 LB**

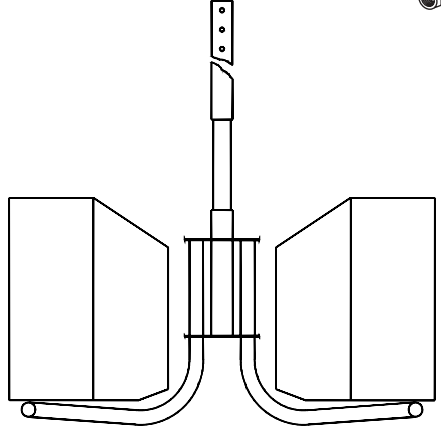


2.75" long hex head bolt is used as a pin to attach extension column to stub. Nylock nut secures the assembly.

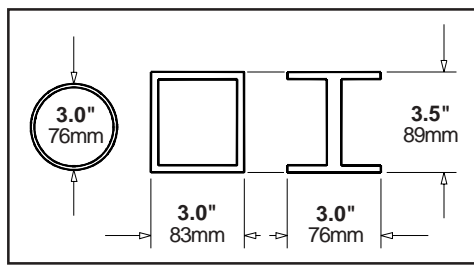
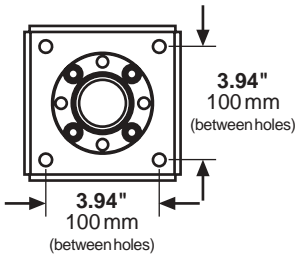


DCT 100

DCT 300



MULTI-DISPLAY MOUNT (for two to six TV's)



For use with square, round, rectangular or I-beam trusses. Maximum dimensions to accommodate truss ceiling plate are shown. **Truss must be capable of supporting four times the load of attached hardware and components.**

UL US This product is intended for use with UL Listed products and must be installed by a qualified professional installer.

Shipping weight: 4.6 lb (2.1 kg)

Architects Specifications:

The ceiling mount shall be a Peerless model DCT_____ and shall be located where indicated on the plans. It shall consist of a truss ceiling plate with an integral decoupler assembly to relieve stress (caused by side to side or swaying action that may result from minor impacts) from damaging TVs/monitors. The truss ceiling mount shall be UL Listed. The finish shall be Raven Black Fused Epoxy. Installation shall be made in accordance with the instructions provided by the manufacturer.

Protected by U.S. Patent no. 5,127,617. Other U.S. and international patents pending.



Peerless Industries, Inc. 3215 W. North Ave. Melrose Park, IL 60160
708-865-8870 800-865-2112 Fax 708-865-2941 www.peerlessindustries.com

TECHNICAL DATA SHEET

Truss Ceiling Mount with Decoupler

page 1 of 1

Issued: 07-29-99 Sheet No. 142-9502-3 12-01-03