

MOD-UNM MOD-UNL



Display size

MOD-UNM - 22" to 50"
MOD-UNL - 32" to 75"



Max load

132lb
(60kg)

MEDIUM AND LARGE UNIVERSAL ADAPTORS

FOR MODULAR SERIES MOUNTS

Peerless-AV's Modular Mounts Line features a range of versatile products able to fulfill many requirements with a minimal number of components, in any application. The line, developed with professional AV installers in mind, is ideal for new projects as well as upgrades to existing installations. The MOD-UNM & MOD-UNL are ideal universal adaptors to be used with the Peerless-AV Modular Series Mounts.

The expandable design provides limitless configurations for display solutions.



Additional Features

- ✓ For 22"-75" displays
- ✓ PLP-UNM is compatible with VESA® 200 x 100mm up to 400 x 400mm
- ✓ PLP-UNL is compatible with VESA® 200 x 100mm up to 600 x 400mm
- ✓ 132lb (60kg) max weight capacity



PLP-UNL



PLP-UNM



Shown with Peerless-AV
Modular Series Ceiling Kit
MOD-FPSKIT150-B



RoHS

Model Numbers

WARRANTY: Limited 5-year

MOD-UNM	Universal Adaptor for Modular Series 22" to 50" Displays
MOD-UNL	Universal Adaptor for Modular Series 32" to 75" Displays

Product Specifications

	DIMENSIONS (W X H X D)	PRODUCT WEIGHT	LOAD CAPACITY	FINISH	AVAILABLE COLORS
MOD-UNM	16.50" x 16.78" x 0.71" (419 x 425 x 18mm)	4.5lb (1.95kg)	132lb (60kg)	Power coat	Black
MOD-UNL	24.38" x 16.78" x 0.71" (619 x 425 x 18mm)	5.35lb (2.0kg)			

Package Specifications

	PACKAGE SIZE (W x H x D)	PACKAGE SHIP WEIGHT	PACKAGE UPC CODE	PACKAGE CONTENTS	UNITS IN PACKAGE
MOD-UNM	21.63" x 5.25" x 2.00" (549 x 133 x 51mm)	5.2lb (2.4kg)	735029270003	Univesal Adaptor, Mounting Hardware	1
MOD-UNL		6.0lb (2.7kg)	735029269991		

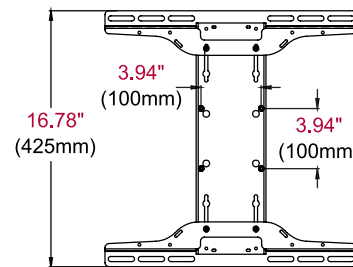
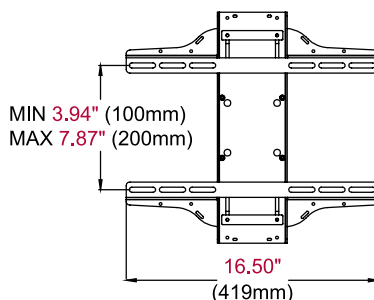
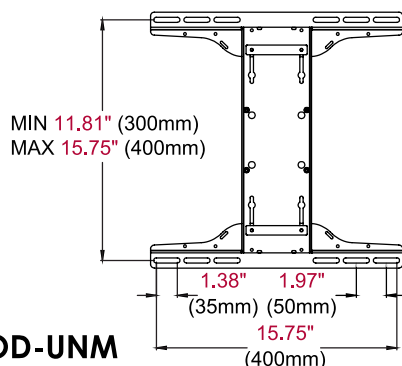
Accessories

MOD-ACF(-W):	Accessory Cover for MOD-CPF Ceiling Plate
MOD-APC:	Accessory Pole Coupler
MOD-APRG(-W):	Accessory Projector Adaptor, PRG Mount
MOD-APRS(-W):	Accessory Projector Adaptor, PRS Mount
MOD-ADF:	Pole Drill Fixture
MOD-ATD-W:	Accessory Trim Disc

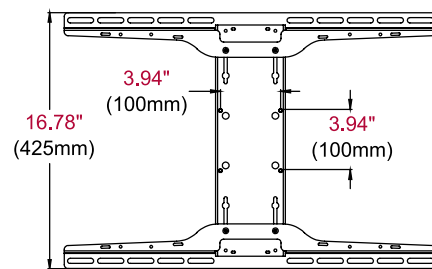
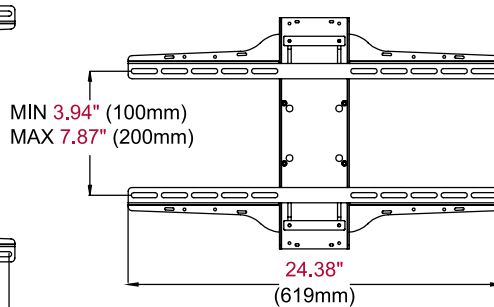
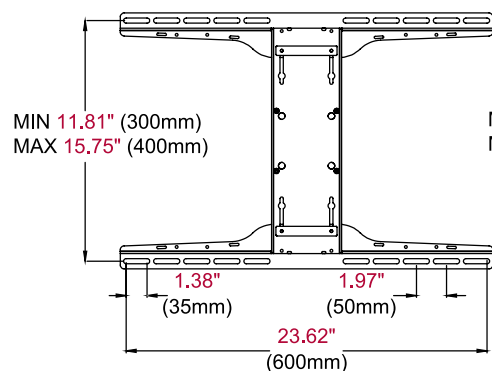
MOD-AUB:	Accessory U-Bolt Adaptor
MOD-CPC(-W):	Ceiling Plate, Cathedral
MOD-CPF:	Square Ceiling Plate, Flat (7.4" x 6.8")
MOD-CPI:	I-Beam Ceiling Plate, Flat
MOD-ASC:	Display-Stacking Clamp
MOD-FPMD:	Flat Panel Mount, Dual Back-To-Back

MOD-P100(-B):	50mm Extension Pole - 39" (1.0m)
MOD-P150(-B):	50mm Extension Pole - 59" (1.5m)
MOD-P200(-B):	50mm Extension Pole - 78" (2.0m)
MOD-P300(-B):	50mm Extension Pole - 118" (3.0m)
MOD-FPMS:	Single Display Mount
MOD-UNM:	Universal Display Adaptor, Medium

All dimensions = inch (mm)



MOD-UNM



MOD-UNL

FRONT VIEW

FRONT VIEW

BACK VIEW

Architect Specifications

The Universal Adaptors shall be Peerless-AV models MOD-UNM or MOD-UNL and shall be located where indicated on the plans. It shall be constructed of heavy gauge cold rolled steel and finished with scratch resistant Black Fused Epoxy. Assembly and installation shall be done according to instructions provided by the manufacturer.

Visit peerless-av.com to see the complete line of AV solutions from Peerless-AV, including outdoor displays, wireless, kiosks, digital audio, display mounts, projector mounts, carts/stands, and a full assortment of accessories.

Peerless-AV
2300 White Oak Circle
Aurora, IL 60502 USA
(800) 865-2112
(630) 375-5100
Fax: (800) 359-6500

Peerless-AV Europe
Unit 3 Watford Interchange
Colonial Way, Watford
Herts, WD24 4WP
United Kingdom
+44 (0) 1923 200100
Fax: +44 (0) 1923 200101

Peerless-AV de México
Ave de las Industrias 413
Parque Industrial Escobedo
Escobedo, N.L.,
Mexico 66050
+52 (81) 8384-8300
Fax: +52 (81) 8384-8360

peerless-AV

LIT-0955 rev.2