

# ASSEMBLY INSTRUCTIONS

## Structural Ceiling Decoupler Adapter PATENT PENDING

MODELS

DCS 200

DCS 400

### Before beginning assembly...

Please read entire instruction sheet and check the parts list to ensure that all components have been included.

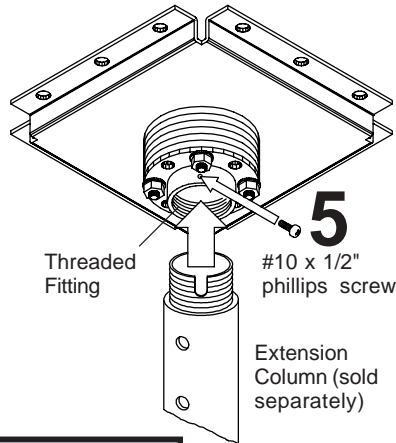
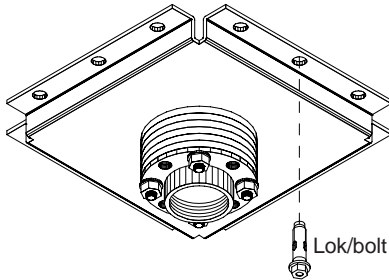
### Recommended tools...

Drill and 5/16" masonry drill bit, 7/16" torque wrench, hammer



This product is intended for use with UL Listed products and must be installed by a qualified professional installer.

## DCS 200



\*COMBINED LOAD CAPACITY: 300 lbs.

\*Total weight of components and hardware

## ⚠ WARNING

- Installer must verify that the wall will safely support four times the combined weight of all attached equipment and hardware.

## INSTALLATION

1. Use the ceiling plate as a guide to mark and drill twelve 5/16" dia. holes to a depth of no less than 1 3/8".
  2. After holes are drilled, align the ceiling plate with the holes and hammer in the twelve Lok/Bolts™.
- ALL FASTENERS MUST BE USED.**
3. Be sure that the ceiling plate is snug to the ceiling.
  4. Tighten each Lok/Bolt to 8 ft. lbs. (11 NM) torque.
- 5. DCS 200 ONLY**  
The #10-32 x 1/2" phillips screw has been provided to lock the Peerless extension column into place after insertion (see instructions provided with column).

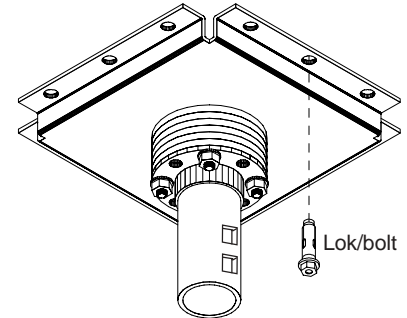
## ⚠ WARNING

- If you are using an extension pipe without a notch, drill a 11/64 (0.172") dia. hole through the pipe and insert the screw through the threaded fitting and pipe. Failure to do so could cause the assembly to fail.

For proper attachment of threaded extension pipe to **DCS 200** see instruction sheet provided with extension pipe.

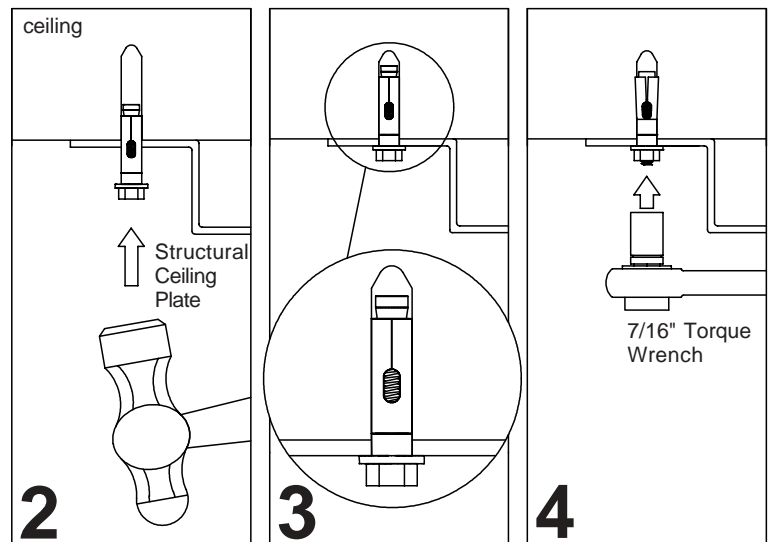
For proper attachment of Adjustable Multi-Display Extension Unit to **DCS 400** see instruction sheet provided with extension unit.

## DCS 400



\*COMBINED LOAD CAPACITY: 1200 lbs.

## LOK/BOLT INSTALLATION - SIDE VIEW



### PARTS LIST FOR DCS 200

PART NO.	QTY.	DESCRIPTION
128-0419	1	STRUCTURAL CEILING DECOUPLER ADAPTER
560-9707	12	RAWL™ 5005 LOK/BOLT
520-9560	1	#10-32 x 1/2" PHILLIPS SCREW

### PARTS LIST FOR DCS 400

PART NO.	QTY.	DESCRIPTION
128-0421	1	STRUCTURAL CEILING DECOUPLER ADAPTER
560-9707	12	RAWL™ 5005 LOK/BOLT