

# TECHNICAL DATA SHEET - MODEL: RMI1

# peerless®

## Rotational Mount Interface

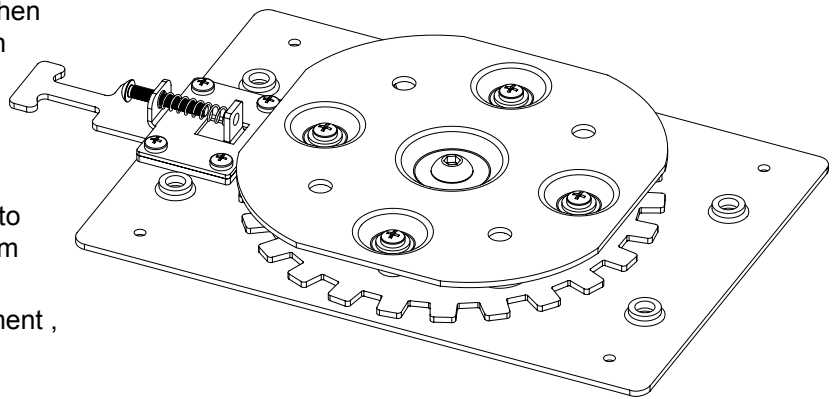
Rotate a mounted flat panel screens from portrait to landscape without ever having to remove it. The Rotational Mount Interface rolls a mounted screen up to 360 degrees in a matter of seconds with its easy grip, spring-loaded handle that can lock in at any 15-degree increment along the way. This low-profile accessory features a tamper-resistant locking device ensuring for a safe and secure screen attachment. It is the ideal accessory when quick and seamless screen content orientation changes are needed.

### Features:

- Additional dedicated PLP adapter required
- Allows screen to be rolled from landscape to portrait without disengaging the screen from the mount
- Screen can be rolled 360° without impediment , no tools required
- Screen roll angle can be locked in 15° increments
- Spring loaded handle makes adjusting the screen position simple
- Tamper-resistant feature allows for screen roll angle to be locked into place
- Low-profile design adds less than 1" to any application
- For use with wall and ceiling mounts, carts and stands\*

### Accessories:

- ACC170 - SR Cart and SS Stand Adapter Plate



### Dimensions:

#### **Weight:**

4.46 lbs (2 kg)

#### **Shipping weight:**

5.5 lbs (2.5 kg)

#### **Maximum Load Capacity:**

175 lbs (79.4 kg)

#### **Shipping Carton dimensions:**

**L** = 20 in (508 mm)

**W** = 10 in (254 mm)

**H** = 1.75 in (44 mm)

## ARCHITECTS SPECIFICATIONS

The Rotational Mount Interface Accessory shall be a Peerless model **RMI1** and shall be located where indicated on the plans. It shall be constructed of heavy gauge cold rolled steel and feature scratch resistant gloss black fused epoxy finish. Assembly and installation shall be done according to instructions provided by the manufacturer.

**Peerless Industries, Inc.**

3215 W. North Ave. Melrose Park, IL 60160  
708-865-8870 800-865-2112 Fax 708-865-2941

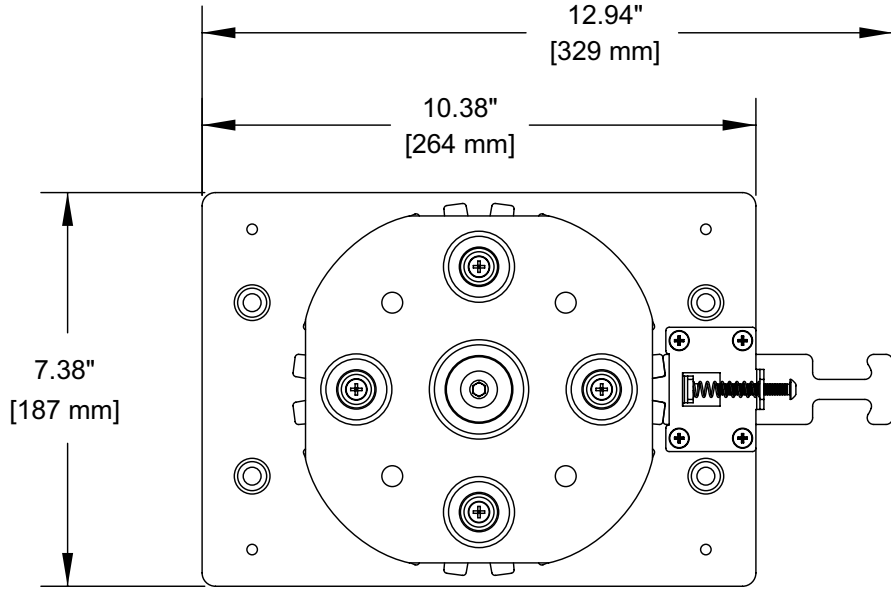
[www.peerlessmounts.com](http://www.peerlessmounts.com)

ISSUED: 08-22-08 SHEET NO: 120-9527-1

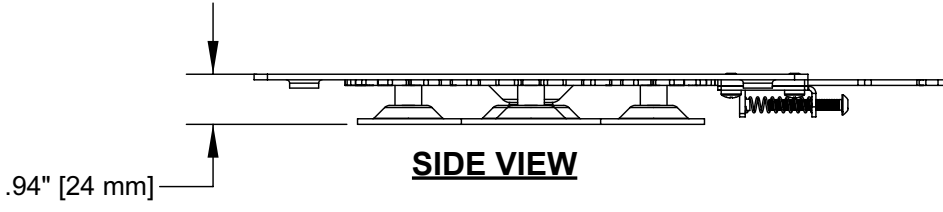
**TECHNICAL DATA SHEET**

**MODEL: RMI1**

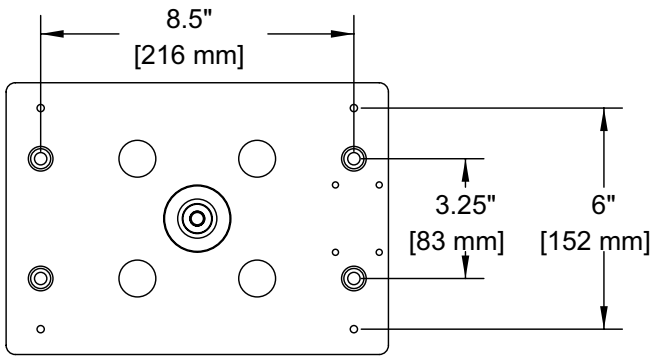
ALL DIMENSIONS: inch [mm]



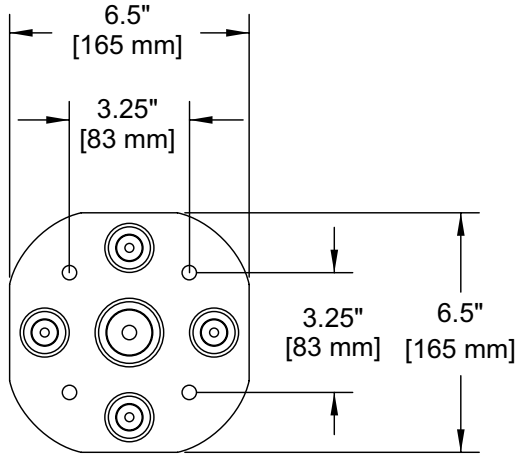
**TOP VIEW**



**SIDE VIEW**



**DETAIL VIEW  
BACK PLATE**



**DETAIL VIEW  
FRONT PLATE**