

Installation and Assembly - DVD/VCR Mount Bracket For SA740.

Models: ACC932,
ACC932-S

IMPORTANT! Read entire instruction sheet before you start installation and assembly.

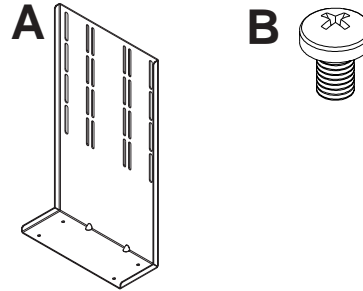
For customer care call 1-800-729-0307 or 708-865-8870. Visit the Peerless Web Site at www.peerlessmounts.com.

Before you start make sure all parts shown below are included with your product.

Parts List

Description	Qty.	Black	Silver
		Part #	Part #
A adapter plate	1	201-1282	201-4282
B M5 X 8 mm phillips pan screw	4	570-0005	570-0005

Note: Some parts may appear slightly different than illustrated.



1

Attach adapter bracket (A) to Peerless VCR/DVD mounts with four screws as shown in fig. 1.1.

NOTE: For continued installation of the DVD mount follow Peerless VCR/DVD mount main instructions.

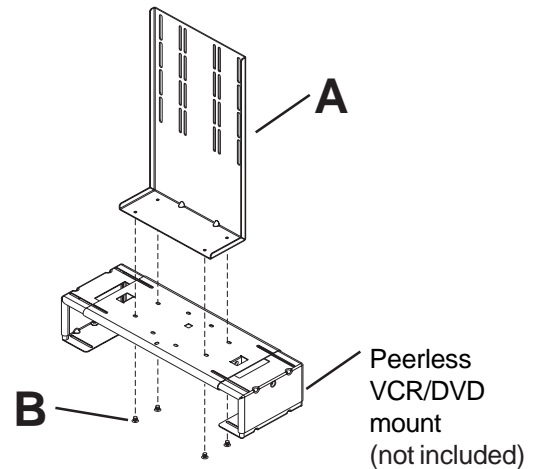


Fig. 1.1

2

NOTE: Refer to SmartMount 740 instruction sheet for VESA configuration, fasteners and the rest of the installation.

Attach adapter bracket (A) between the SmartMount 740 adapter plate and screen.

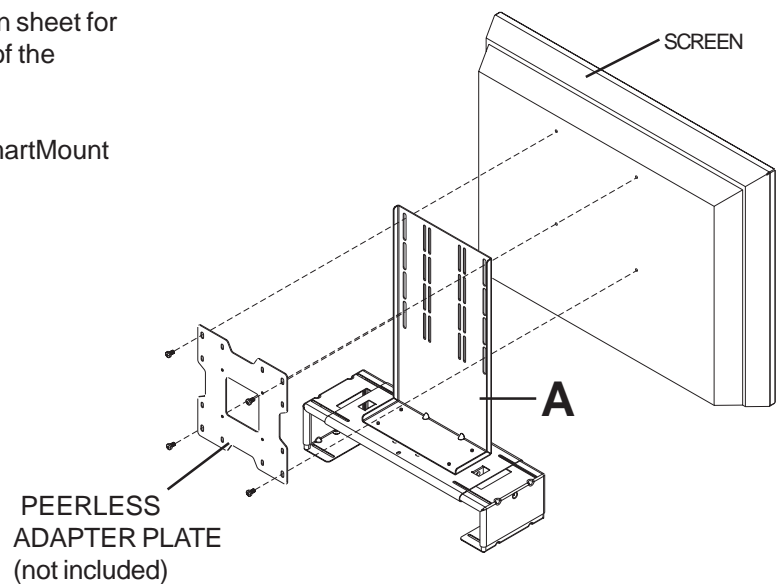


Fig. 2.1