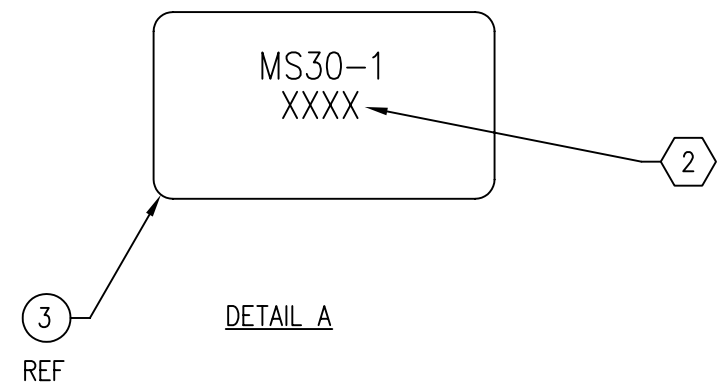
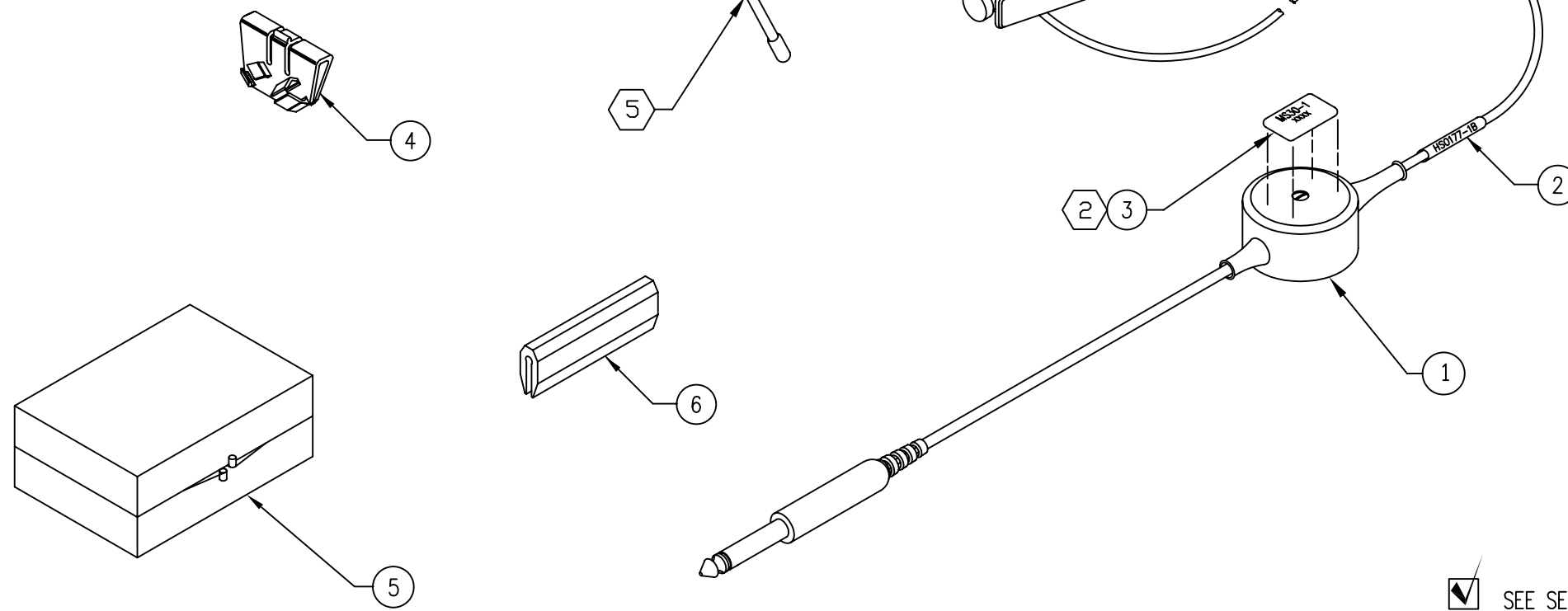


REVISION					
REV	DESCRIPTION	ECO NO.	DATE	BY	CHK'D BY
J	CORRECT ERROR.		12/28/05	JB	ME



REFERENCE SPECIFICATIONS:  
- AT 1 kHz -

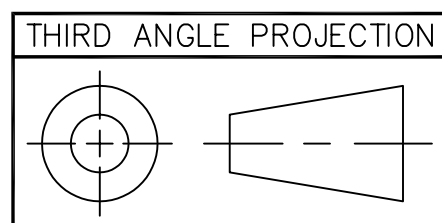
TRANSMITTER	
OUTPUT AMPLITUDE	-22.2 ± 3 dBV (55 TO 110 mV RMS) INTO 150 OHMS WITH 44 mA DC FLOWING AND AN INPUT OF 94 dB SPL.
RECEIVER	
OUTPUT AMPLITUDE	92 ± 5 dB SPL INTO A BRÜEL & KJAER TYPE 4157 EAR SIMULATOR USING A DPD 370 EAR PLUG SIMULATOR, EARTUBE PN 15833-01, AND AN OPEN-CIRCUIT INPUT OF 155 mV RMS THROUGH 600 OHMS.
CABLES	
CAPSULE	5 FEET.
CONNECTOR	5 INCHES.
CONNECTOR	PJ-068.
COLOR	BLACK.
WARRANTY	ONE YEAR.



SEE SEPARATE BILL OF MATERIALS       MATING PART. SEE NOTE

- 4 THIS UNIT IS EQUIPPED WITH A LOW-IMPEDANCE TUBE, PN 06433-00.
- 3. THIS IS A STARSET EQUIPPED WITH AN MS50/T30-1 AMPLIFIER.
- 2 IMPRINT THE MODEL NO., DATE CODE, & PRODUCT ID ON THE LABEL (ITEM 2). AFFIX LABEL OVER THE SCREW IN THE TOP OF THE HOUSING.
- 1. IMPRINT THE MODEL NO. AND DATE CODE ON THE LABEL (ITEM 2). WRAP LABEL AROUND THE CABLE IN THE APPROXIMATE LOCATION SHOWN.

NOTES: (UNLESS OTHERWISE SPECIFIED)      REF 05271, 05446, 91720



UNLESS OTHERWISE SPECIFIED DIMENSIONS ARE IN: INCHES AND TOLERANCES ARE: DECIMAL .XX = ± .01 .XXX = ± .005 ANGLE = ± 2' FRACTION = ± 1/16	DO NOT SCALE		PLANTRONICS Santa Cruz, Ca.	
	DRAWN BY J. BAKER CHECKED BY M. ERBE DEV ENG APPD RMS MFG APPD PROD ENG APPD	03/21/00 03/21/00 03/24/00		TITLE MODEL MS30-1
MATERIAL:	SIZE	CAT CODE	DWG NO.	REV.
FINISH:	B	01	90165-01	J
	SCALE 1=1			SHEET 1 OF 1

## Special Products Packed-Level Bill of Materials

**Model Number: MS30-1**

**Part Number: 90165-01**

**Revision: J**

**Date: 12/28/05**

**Receiver Configuration: Monaural**

**Connector: PJ-068**

**Capsule Type: SSI**

**Configuration:**

**Description: This is a Starset equipped with an MS50/T30-1 amplifier.**

[View Drawing](#) (only available when viewing BOM online in Word format)

ITEM	QTY	PLANTRONICS PART NUMBER	DESCRIPTION
1.	1	100799-01	HEADSET ASSEMBLY
2.	1	28226-01	LABEL, MODEL NO. & DATE CODE
3.	1	100905-01	LABEL, PRODUCT ID
4.	1	07169-00	EYEGLOSS CLIP ASSEMBLY
5.	1	06448-00	EARPIECE KIT
6.	1	100882-00	KIT, GLASSES BOW ADAPTER
7.	1	66107-01	BOX, UNIVERSAL
8.	1	49677-01	USER'S GUIDE
9.	1	40637-01	POUCH