

**IMPORTANT!** Read entire instruction sheet before you start installation and assembly.

Before you start check the parts list below to make sure all of the parts shown are included.

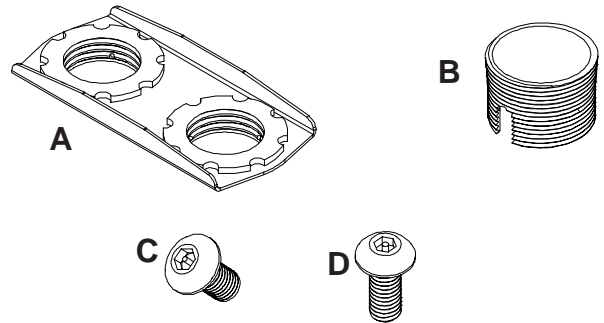
**WARNING**

- Installer must verify that the ceiling will safely support four times the combined weight of all attached equipment and hardware.

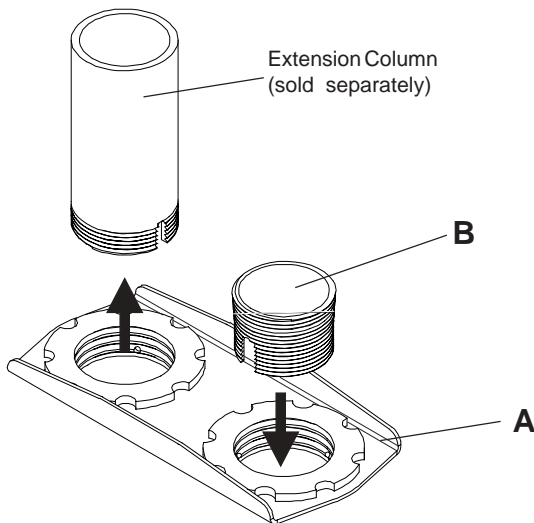
**Parts List**

Description	Qty.	Part Number
A bracket	1	055-1184
B LCD flush mount tube	1	580-0004
C #10-32 x 1/8" socket pin screw	1	520-1106
D #10-32 x 3/8" socket pin screw	1	520-1084

Note: Actual parts may appear slightly different than illustrated.



- 1 Attach adapter bracket (A) to bottom extension column (sold separately). Thread flush mount tube (B) into bracket (A) as shown until it is threaded all the way down.



- 2 Side to side adjustment is accomplished by rotating adapter bracket (A) about extension column. Lock into position by screwing 1/8" long socket pin screw (C) into hole as shown, jamming screw into threads. For extra security, align one of the three holes in adapter bracket (A) with notch in column, then fasten 3/8" long socket pin screw (D) into hole and through notch.

**Note: The socket pin tool is sold with the Vector Pro projector mount.**

