

# Installation and Assembly - Ceiling Plate for Jumbo Mounts

Models: CMJ 470  
CMJ 480 CMJ 490

**Note:** Read entire instruction sheet before beginning installation and assembly.



This product is intended for use with UL Listed products and must be installed by a qualified professional installer.

**IMPORTANT!** Certain ceilings require additional mounting hardware...

CEILING CONSTRUCTION	ADDITIONAL HARDWARE REQUIRED
Wood Joist, Wood Beam	none
Concrete	Concrete Anchor Kit - <i>order accessory kit ACC 244.</i>
Other or unsure?	Call Peerless Customer Care.

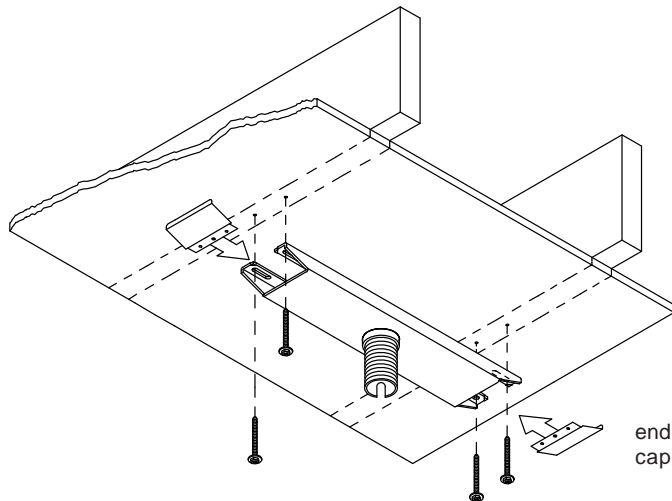
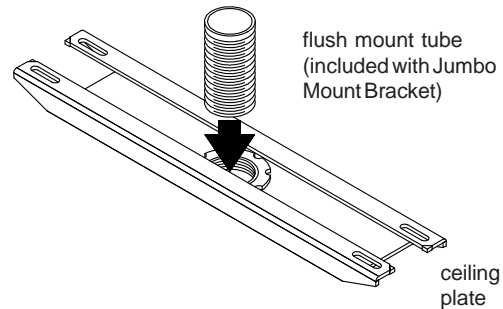
For customer care, or to order accessory kits call  
1-800-7865-2112

**Max. Load Capacity:**  
300 lb (137 kg)

**Note:** This ceiling plate is intended for use only to support Jumbo Mount TV Brackets or other products as specified by Peerless Industries, Inc. Combine only as specified (see specifications on page 2). Fasteners provided are for attachment to wood structural members (joists or beam). Order additional fastener kit **ACC 244** if attaching to a solid concrete ceiling. This product is intended for indoor use only. Use of this product outdoors could lead to product failure and personal injury.

**1** From the top thread the Flush Mount Tube (included with your Jumbo Mount Bracket) through the threaded fitting in the ceiling plate.

**Note:** If you will install an extension column DO NOT INSTALL THE FLUSH MOUNT TUBE. Begin with step 2.



**2** **Installation Wood Joist Finished Ceiling, Exposed Wood Joists, or Wood Beam Ceiling.** (See 3 for concrete ceilings). Drill four 5/32" (4 mm) dia. holes to a minimum depth of 2.5" (64 mm). Attach with four #14 x 2.5" (6 mm x 65 mm) wood screws as shown using 3/8" (10 mm) socket wrench. Tighten wood screws so ceiling plate is firmly attached.

## ⚠ WARNING

- Tighten wood screws so that ceiling plate is firmly attached, but do not overtighten. Overtightening can damage the screws, greatly reducing their holding power.
- Never tighten in excess of 80 in. • lb (9 N.M.).
- Make sure that mounting screws are anchored into the center of the joists. The use of an "edge to edge" stud finder is highly recommended.

### PARTS LIST

PART #	QTY.	DESCRIPTION
128-1039	1	ceiling plate (CMJ 470 only)
128-1086	1	ceiling plate (CMJ 480 only)
128-1087	1	ceiling plate (CMJ 490 only)
5S1-015-C03	4	#14 x 2.5" (6 mm x 65 mm) wood screw
2PT-22CA01D	2	end cap
520-9250	1	M5 x .8 x 10 mm phillips screw (for use with extension column if applicable)

## ⚠ WARNING

- Concrete must be 2000 psi density minimum. Lighter density concrete may not hold concrete anchor.
- Installer must verify that the supporting surface will safely support the combined weight of all attached equipment and hardware.

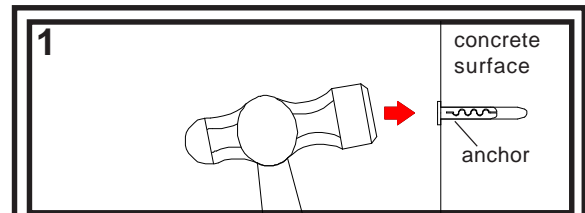
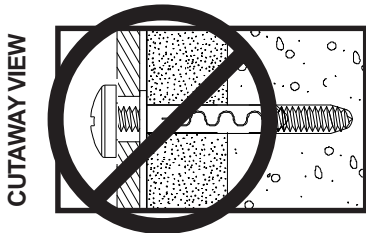
- 3** For **Concrete Ceilings** drill four 3/8" (10 mm) dia. holes to a minimum depth of 3" (76mm). Attach using concrete expansion anchors as shown (right). Tighten to 80 in • lb (9 N.M.) maximum torque. Snap end caps into place.

## ⚠ WARNING

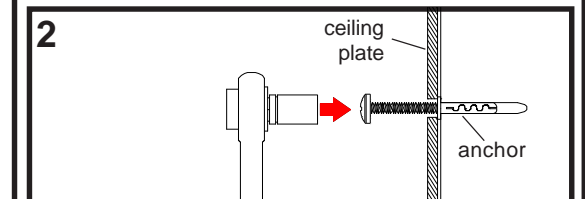
- Tighten wood screws firmly, but do not overtighten. Overtightening can damage the bolts, greatly reducing their holding power.
- Never tighten in excess of 80 in • lb (9 N.M.).

## ⚠ WARNING

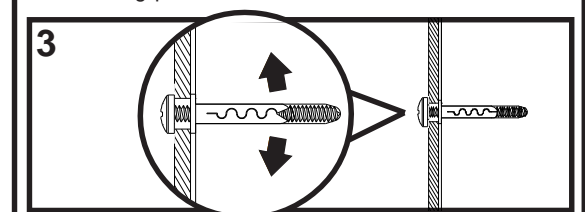
- Concrete anchors are **not** intended for attachment to concrete ceiling covered with a layer of plaster, drywall, or other finishing material. If mounting to concrete ceiling covered with plaster/drywall is unavoidable, plaster/drywall (up to 5/8" thick) must be counterbored. If plaster/drywall is thicker than 5/8", custom fasteners must be supplied by installer.



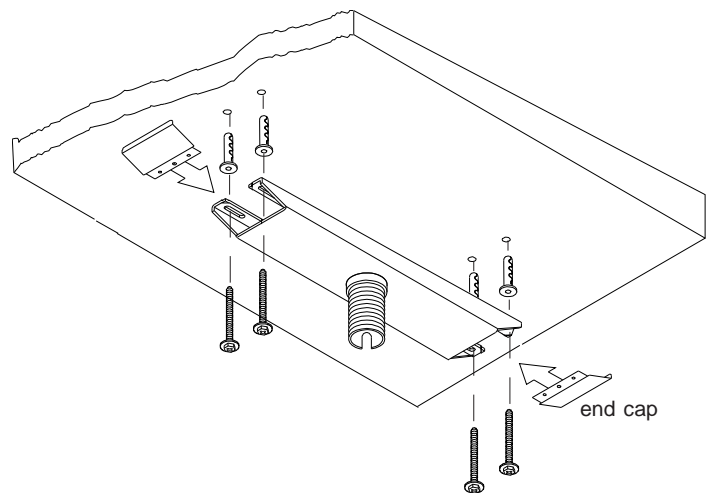
Drill holes and insert anchors.



Place ceiling plate over anchors and secure with screws.



Tighten all fasteners.



### CEILING PLATE FOR JUMBO MOUNTS - SPECIFICATIONS

Model Numbers	Max. Load Capacity		Compatible Jumbo Mount Models
	Concrete	Wood	
CMJ 470 CMJ 480 CMJ 490	300 lb (136.1 kg)	300 lb (136.1 kg)	JM 2630, JM 2640, JM 2640D, JM 2650, JM 2650D, JM 2655, JM 2660, JM 2665, JM 2670, JM 2675

## ⚠ WARNING

- Weight of TV or Screen not to exceed maximum load capacity.