

Installation and Assembly - Ceiling Plate for Jumbo Mounts

Models: CMJ 470W, CMJ 480W, CMJ 490W

IMPORTANT! Read entire instruction sheet before beginning installation and assembly.

IMPORTANT! Certain ceilings require additional mounting hardware...

CEILING CONSTRUCTION	ADDITIONAL HARDWARE REQUIRED
Wood Joist, Wood Beam	none
Concrete	Concrete Anchor Kit - <i>order accessory kit ACC 204.</i>
Other or unsure?	Call Peerless Customer Service.



This product is intended for use with UL Listed products and must be installed by a qualified professional installer.

MAXIMUM LOAD CAPACITY:
300 lb (137 kg)

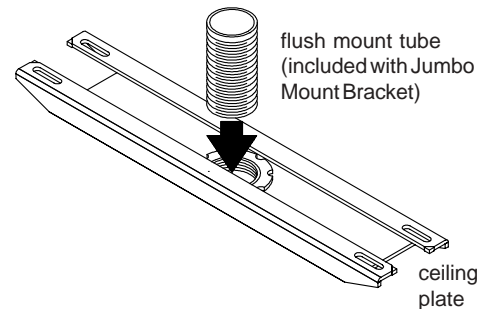
PARTS LIST

PART #	QTY.	DESCRIPTION
128-2039	1	ceiling plate (CMJ 470W only)
128-2086	1	ceiling plate (CMJ 480W only)
128-2087	1	ceiling plate (CMJ 490W only)
5S1-015-C03	4	#14 x 2.5" (6 mm x 65 mm) wood screw
2PT-22CA01F	2	end cap (white models only)
520-9250	1	M5 x .8 x 10 mm phillips screw (for use with extension column if applicable)

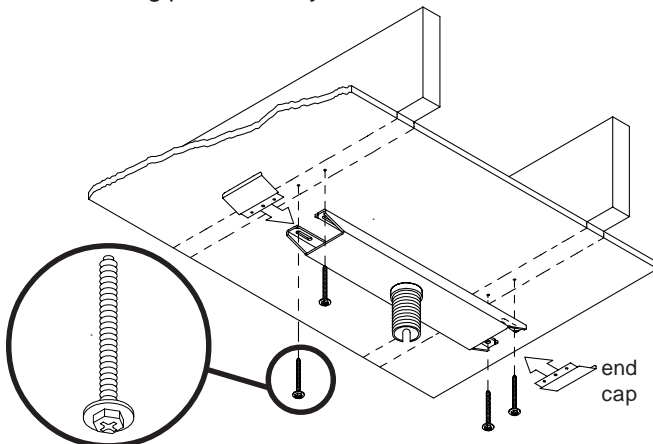
This Ceiling Plate is intended for use only to support Jumbo Mount TV Brackets or other products as specified by Peerless Industries, Inc. Combine only as specified (see specifications on page 2). Fasteners provided are for attachment to wood structural members (joists or beam). Order additional fastener kit **ACC 204** if attaching to a solid concrete ceiling.

- From the top thread the Flush Mount Tube (included with your Jumbo Mount Bracket) through the threaded fitting in the ceiling plate.

IMPORTANT: If you will install an extension column DO NOT INSTALL THE FLUSH MOUNT TUBE. Begin with step 2.



- For Wood Joist Finished Ceiling, Exposed Wood Joists, or Wood Beam Ceiling. (See step 3 for concrete ceilings). Drill four 5/32" (4 mm) dia. holes to a minimum depth of 2.5" (64 mm). Attach with four #14 x 2.5" (6 mm x 65 mm) wood screws as shown using 3/8" (10 mm) socket wrench. Tighten wood screws so ceiling plate is firmly attached.

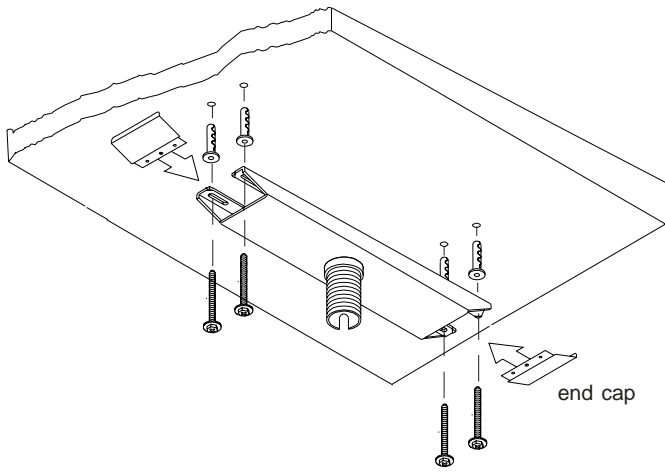


⚠ WARNING

- Installer must verify that the ceiling will safely support four times the combined weight of all attached equipment and hardware.

⚠ WARNING

- Tighten wood screws so that ceiling plate is firmly attached, but do not overtighten. Overtightening can damage the screws, greatly reducing their holding power.
- Never tighten in excess of 80 in • lb (9 N.M.).
- Make sure that mounting screws are anchored into the center of the studs. The use of an "edge to edge" stud finder is highly recommended.



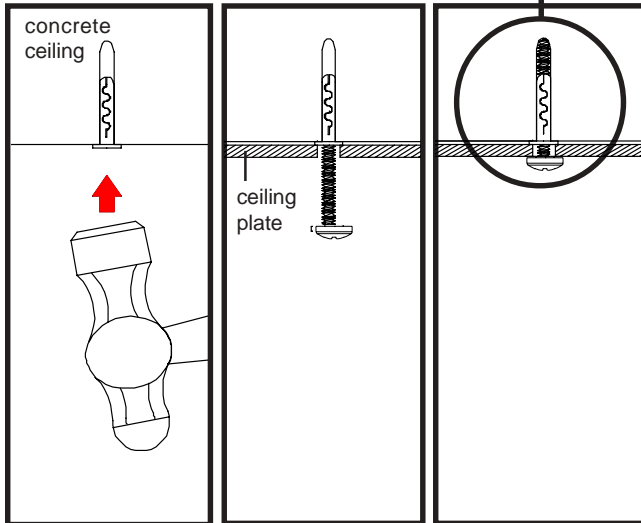
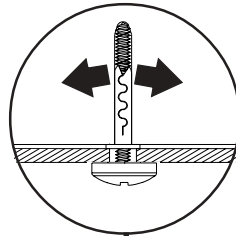
⚠ WARNING

- Installer must verify that the ceiling will safely support four times the combined weight of all attached equipment and hardware.

- 3** For **Concrete Ceilings** drill four 1/4" (6 mm) dia. holes to a minimum depth of 2.5" (64 mm). Concrete must be 2000 psi density minimum. Insert anchors in holes flush with ceiling as shown (left). Place ceiling plate over anchors and secure with #14 x 2.5" (6 mm x 65 mm) wood screws. Tighten all fasteners.

CONCRETE ANCHOR INSTALLATION

Cross Section: Attachment to a concrete ceiling.



STEP 1: Hammer **STEP 2:** Tighten to 80 in • lb (9 N.M.) in concrete anchor. maximum torque to expand anchors.

⚠ WARNING

- Tighten wood screws firmly, but do not overtighten. Overtightening can damage the screws greatly reducing their holding power.
- Never tighten in excess of 80 in • lb (9 N.M.).

⚠ WARNING

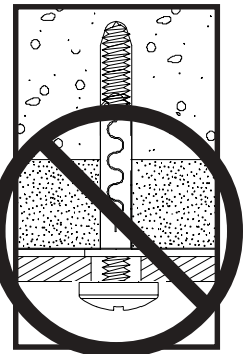
- Weight of TV or monitor not to exceed maximum load capacity.

⚠ WARNING

- Concrete anchors are **not** intended for attachment to concrete ceiling covered with a layer of plaster, drywall, or other finishing material. If mounting to concrete ceiling covered with plaster/drywall is unavoidable, plaster/drywall (up to 5/8" thick) must be counterbored. If plaster/drywall is thicker than 5/8", custom fasteners must be supplied by installer.

CEILING PLATE FOR JUMBO MOUNTS - SPECIFICATIONS

Model Numbers	Max. Load Capacity		Compatible Jumbo Mount Models
	Concrete	Wood	
CMJ 470W CMJ 480W CMJ 490W	300 lb (137 kg)	300 lb (137 kg)	JM 2630S, JM 2640S, JM 2640DS, JM 2650S, JM 2650DS, JM 2655S, JM 2660S, JM 2665S, JM 2670S, JM 2675S



CUTAWAY VIEW