

Installation and Assembly - Accessory Kit for Screen Adapter Plate

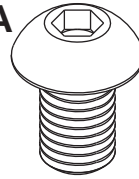
Models: PLP-xxx

IMPORTANT! Read entire instruction sheet before you start installation and assembly.

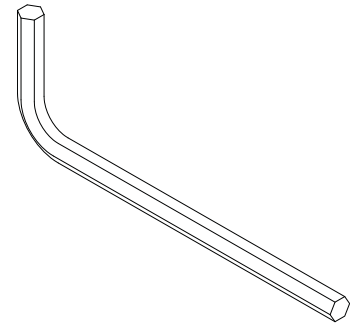
Parts List

PART #	QTY.	DESCRIPTION
AA 520-9262	4	M10 x 15mm socket screw
BB 560-9716	1	6 mm allen wrench

AA



BB



1 Installing Adapter Bracket

Using the hole pattern shown below, attach the adapter plate with four M10 x 15 mm screws (**AA**). Tighten screws using 6 mm allen wrench (**BB**).

