

Installation and Assembly - Adapter Bracket for VESA® 300 x 200 Screens

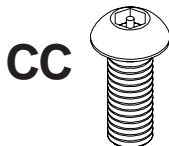
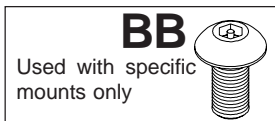
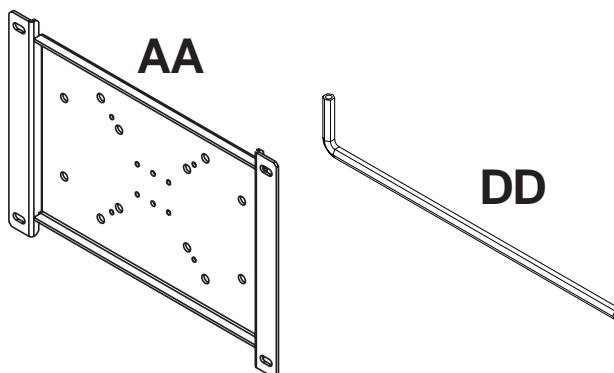
Model: PLP-V3X2

IMPORTANT! Read instruction sheet before you start installation and assembly.

Before you start make sure all parts listed are included with your product.

Parts List

Description	Qty.	Part #
AA adapter plate	1	201-1519
BB M5 x 10 mm socket pin screw	4	520-1063
CC M6 x 16 mm socket pin screw	4	520-1132
DD 4 mm allen wrench	1	560-9646



Some parts may appear slightly different than illustrated.

⚠ WARNING

- Do not overtighten. Overtightening may cause permanent damage to the screen. Torque to 26-35 in • lb (30-40 kg • cm).

- Attach adapter bracket (**AA**) to back of screen using four M6 x 16 mm socket pin screws (**CC**). Tighten screws using 4 mm allen wrench (**DD**).

