

## RMI2C



Max load  
**175lb (79kg)**

# Rotational Mount Interface for Carts and Stands

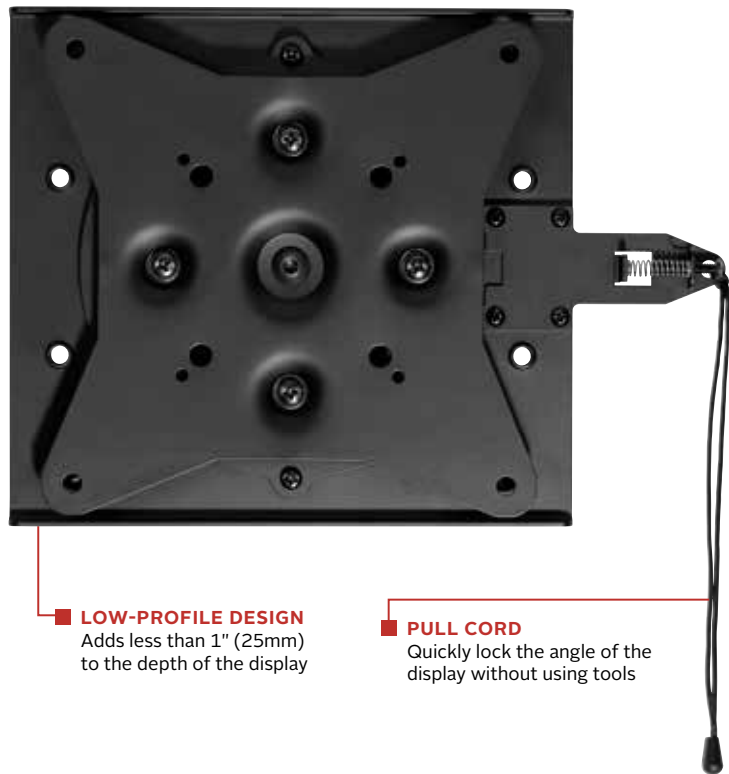
FOR ROTATING DISPLAYS FROM LANDSCAPE TO PORTRAIT

The RMI2C allows you to rotate a display from landscape to portrait orientation with a simple pull of the spring-loaded lever, eliminating the hassle of having to remove the screen from the mount. This mount interface allows the display on a cart or stand to be stored in portrait, which saves space and protects the display from accidental damage. In addition, the RMI2C enables a display to be easily rotated and set at 15-degree increments within 360-degrees, and is compatible with a variety of Peerless-AV® Carts and Stands. Ideal for standard or creative digital signage displays, the RMI2W allows for endless screen positioning.

**Easily rotate a display from landscape to portrait to save storage space and protect your display from accidental damage.**

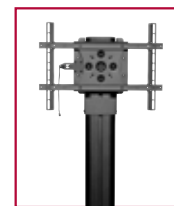
### Additional Features

- ✓ Rotate landscape to portrait orientation without removing the screen
- ✓ Roll angle can be locked in 15° increments, creating endless screen positioning possibilities
- ✓ Screen can be rolled 360° with impediment, no tools required
- ✓ Tamper-resistant, spring-loaded lever with pull cord makes adjusting the screen's position simple
- ✓ Low-profile design adds less than 1" to any application
- ✓ Compatible with the following Peerless-AV® Carts & Stands: SR560, SR575, SR575M, SR575K, SS560, SS575K, FPZ-600 and FPZ-670



**LOW-PROFILE DESIGN**  
Adds less than 1" (25mm) to the depth of the display

**PULL CORD**  
Quickly lock the angle of the display without using tools



Landscape



Portrait

RoHS

<b>RMI2C</b>	Rotational Mount Interface for Carts and Stands
--------------	---

**Product Specifications**

	DIMENSIONS (W x H x D)	PRODUCT WEIGHT	LOAD CAPACITY	FINISH	AVAILABLE COLORS
<b>RMI2C</b>	14.16" x 9.50" x .97" (360 x 241 x 25mm)	6.7lb (3.04kg)	175lb (79kg)	Powder Coat	Black

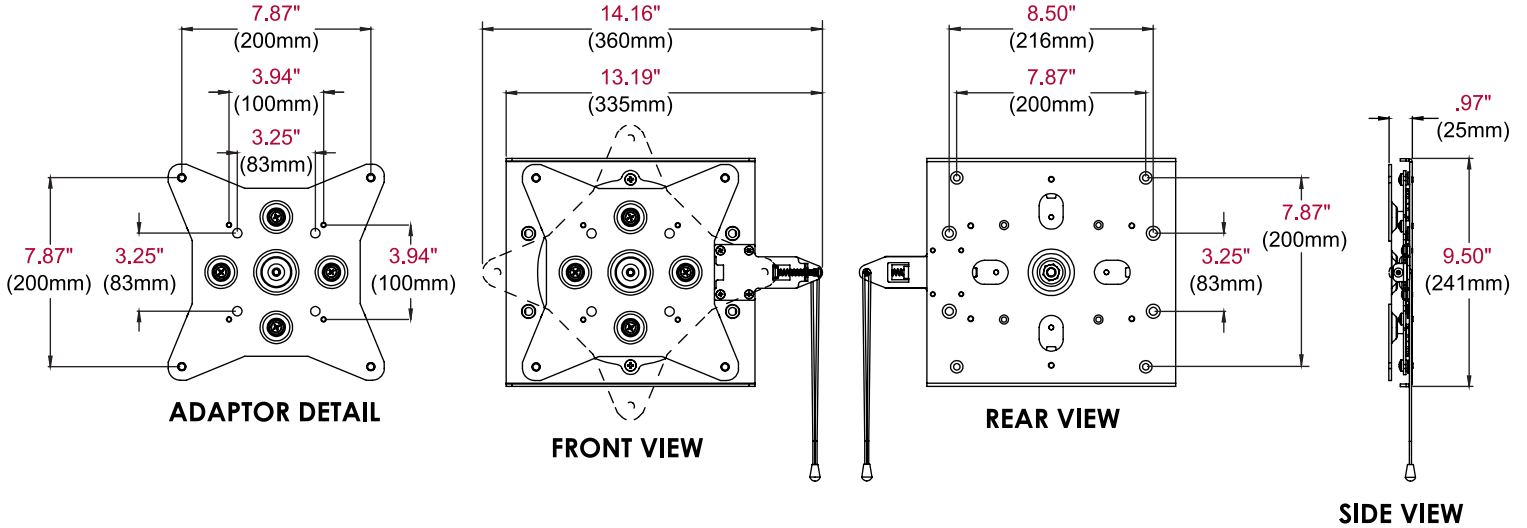
**Package Specifications**

	PACKAGE SIZE (W x H x D)	PACKAGE SHIP WEIGHT	PACKAGE UPC CODE	PACKAGE CONTENTS	UNITS IN PACKAGE
<b>RMI2C</b>	20.00" x 10.00" x 1.75" (508 x 254 x 44mm)	7.15lb (3.24kg)	735029315445	1 Rotational Mount	1

**Compatible with the following Peerless-AV® Carts and Stands:**

- SR560
- SR575
- SR575M
- SR575K
- SS560
- SS575K
- FPZ-600
- FPZ-670

All dimensions = inch (mm)



**Architect Specifications**

The Rotational Mount Interface for Carts and Stands shall be a Peerless-AV® model RMI2C and shall be located where indicated on the plans. Assembly and installation shall be done according to instructions provided by the manufacturer.

Visit [peerless-av.com](http://peerless-av.com) to see the complete line of AV solutions from Peerless-AV, including outdoor displays, wireless, kiosks, digital audio, display mounts, projector mounts, carts/stands, and a full assortment of accessories.

**Peerless-AV**  
2300 White Oak Circle  
Aurora, IL 60502 USA  
**(800) 865-2112**  
**(630) 375-5100**  
**Fax: (800) 359-6500**

**Peerless-AV Europe**  
Unit 3 Watford Interchange  
Colonial Way, Watford  
Herts, WD24 4WP  
United Kingdom  
**+44 (0) 1923 200100**  
**Fax: +44 (0) 1923 200101**

**Peerless-AV de México**  
Ave de las Industrias 413  
Parque Industrial Escobedo  
Escobedo, N.L.,  
Mexico 66050  
**+52 (81) 8384-8300**  
**Fax: +52 (81) 8384-8360**

