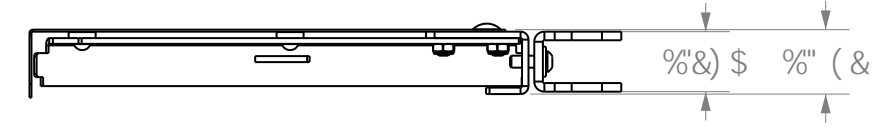
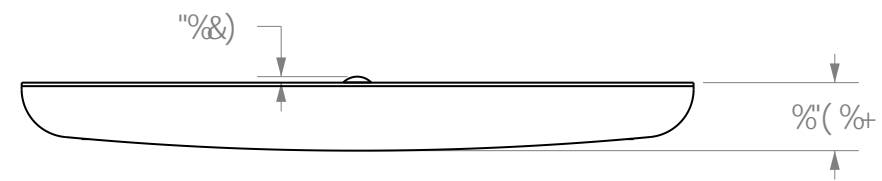
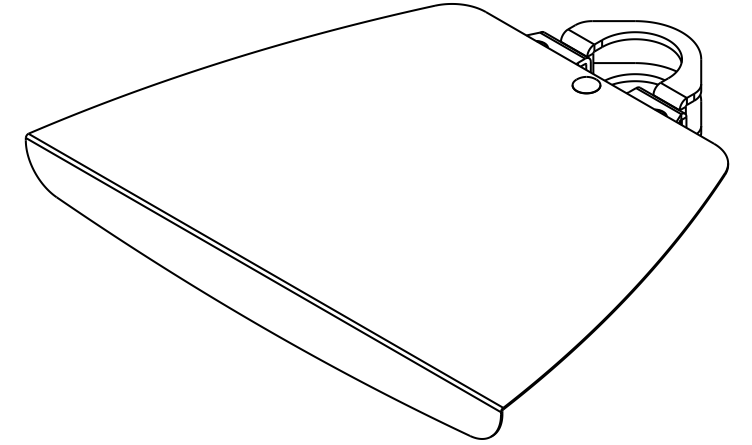
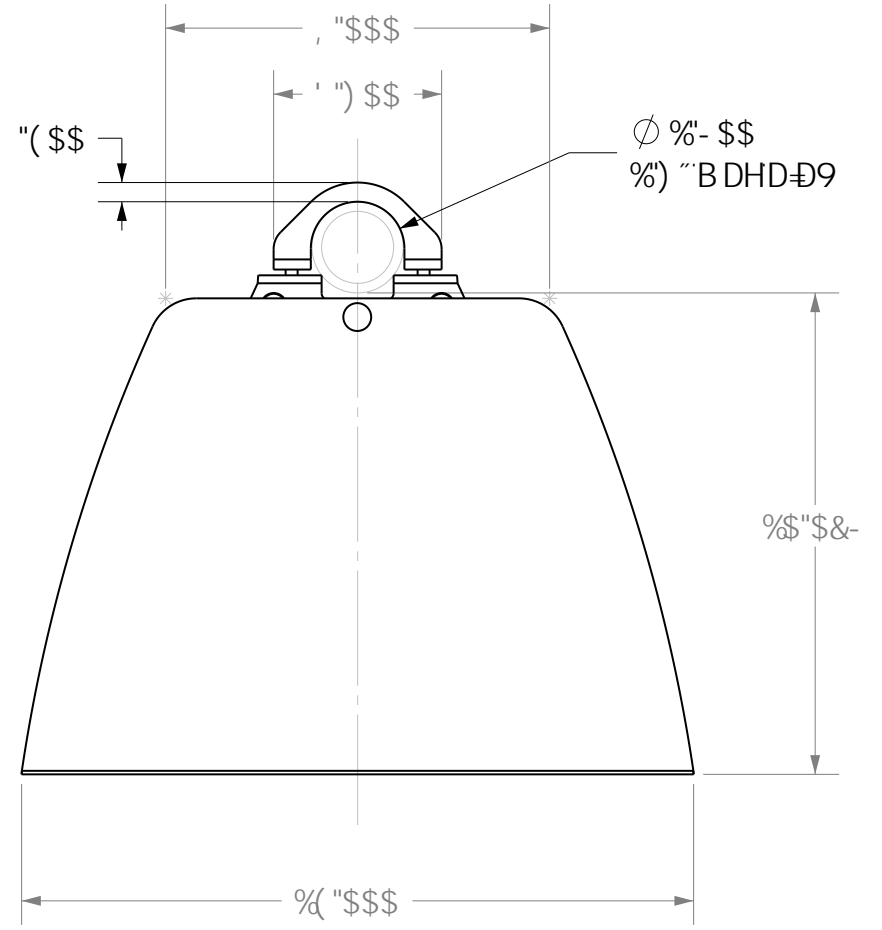


8
7
6
5



7 < 9. A 5BI : 57H F-B; 'B7"
A CI BHC F89F BI A 69F 'GD57!%\$&
D<CB9.%, \$!), & * (, \$

G<99HG7 5 @ 1 % (

H 9-B: CFA 5HCB '5B8 '89G; BG7CBH5-B98
-B 'K-G8F5K -B; '5F97CB: -89BH5@5B8 'K9
DFC DF-9-5FMDFC D9FMC: 7 < 9. 'A: ; 'Z-B7"
B9H K9 'K-G89G; B'BCF '5BM-B: CFA 5HCB
7CBH5-B98 -B 'K-G8F5K -B; 'A 5M69
F9DFC 8I 798 'CF '8-67 @G98 'H C 'K 9FG
K 'KCI 'HK 99LDF9GGK F#H9B 7CBG9BHC:
7 < 9. 'A: ; 'Z-B7"



71 GCA 9F 'DF-BH
D57!%\$&

D57!%\$&

D57!%\$&

8

7

6

5