

MOD-FCSKIT300(-B)



Display size  
**Up to 75"**



Max load  
**132lb (60kg)**  
Per Display

# Modular Series Floor-to-Ceiling Kit

FOR UP TO 75" DISPLAYS

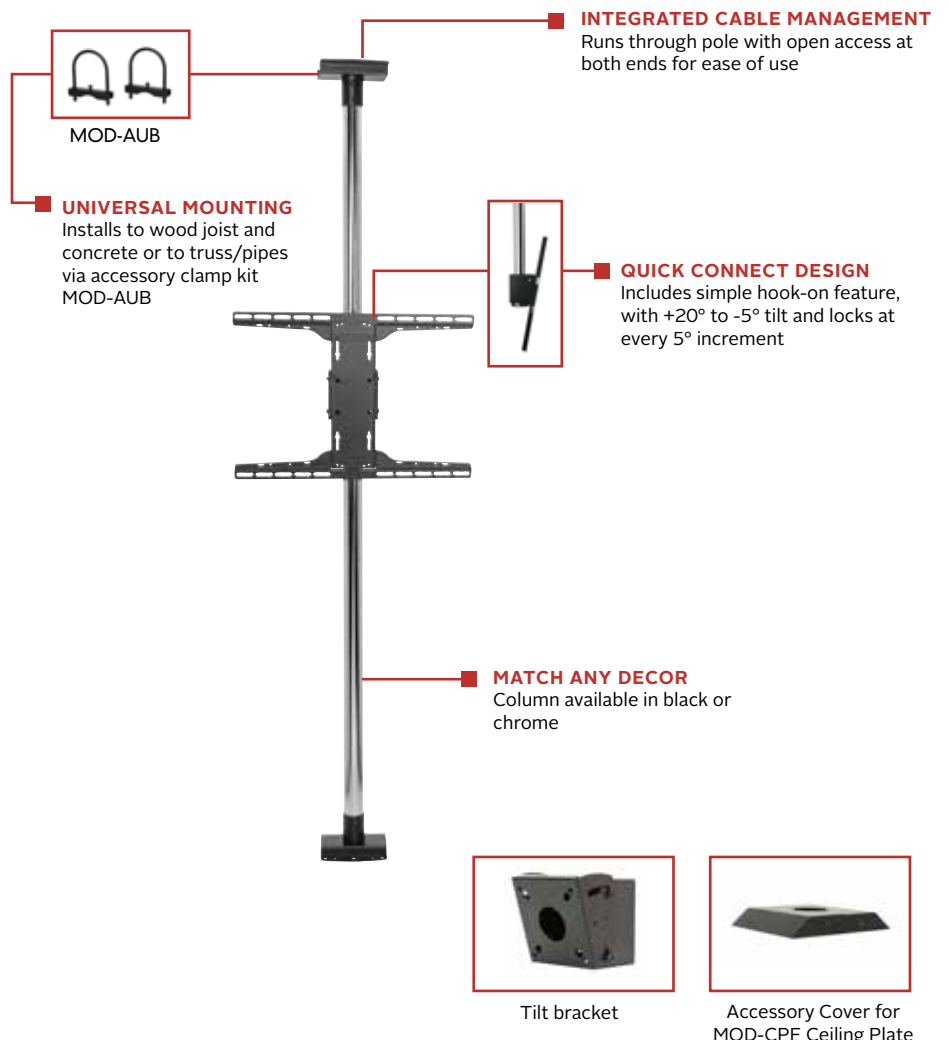
The Peerless-AV® Modular Mount Line includes a small and easily manageable number of components to fulfill a vast majority of end-user requirements. Designed around a 2" (50mm) diameter pole, the line is ideal for new projects as well as upgrading existing installations. As part of the Peerless-AV Modular Series, the MOD-FCSKIT300 includes all components required to mount your display. This kit can be expanded with Modular accessories to accommodate additional displays or alternative configurations to achieve the perfect custom mounting solution.

*The Modular Mount Line includes universal components making it easy to design perfect custom display or projector mounting solutions for any application.*



## Additional Features

- ✓ Kit includes:
  - Flat ceiling/floor plates
  - 118" (3m) chrome or black extension column
  - Single display flat panel mount
  - Display stacking clamp
  - Large universal adaptor
- ✓ Heavy duty flat plate mounts to wood or concrete ceiling and floor
- ✓ Universal display mounting for up to 75" displays with VESA® mounting patterns up to 600 x 400mm
- ✓ Versatile display positioning at any point along the height of the 2" (50mm) diameter column



RoHS



MOD-FCSKIT300(-B) Modular Series Floor-to-Ceiling Kit for up to 75" Displays

**Product Specifications**

	DIMENSIONS (W X H X D)	PRODUCT WEIGHT	LOAD CAPACITY	FINISH	AVAILABLE COLORS
MOD-FCSKIT300(-B)	4.38" x 120.11" x 7.48" (619 x 3051 x 190mm)	26.05lb (11.8kg)	132lb (60kg) per display	Powder Coat	MOD-FCSKIT300: Black/Chrome  MOD-FCSKIT300-B: Black

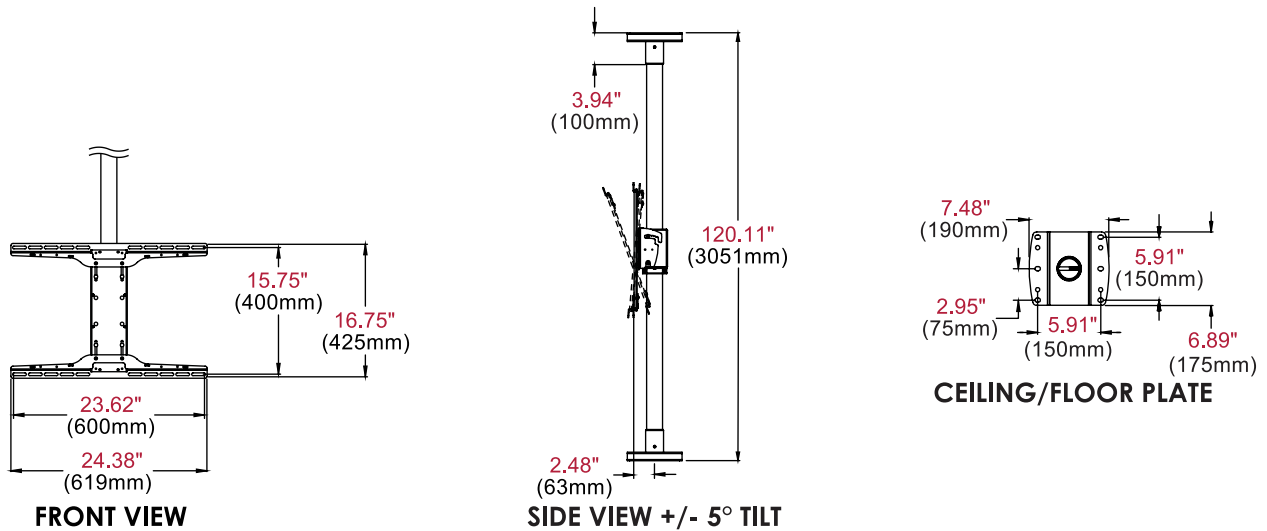
**Package Specifications**

	PACKAGE SIZE (W x H x D)	PACKAGE SHIP WEIGHT	PACKAGE UPC CODE	PACKAGE CONTENTS	UNITS IN PACKAGE
MOD-FCSKIT300(-B)	BOX 1: 31.75" x 12.26" x 4.13" (807 x 311 x 105mm)	BOX 1: 16.1lb (7.3kg)	MOD-FCSKIT300: 735029282532	- 2 each MOD-CPF heavy duty flat ceiling plate	1
	BOX 2: 120.00" x 2.50" (3048 x 64mm)	BOX 2: 15.5lb (7.0kg)	MOD-FCSKIT300-B: 735029290162	- MOD-P300 118" (3m) extension pole - MOD-ASC display stacking clamp - MOD-FPMS single screen mount - MOD-UNL large universal adaptor	

**Accessories**

- MOD-ACF(-W):** Accessory Cover for MOD-CPF Ceiling Plate
- MOD-ADF:** Accessory Drill Fixture for 50mm Pole
- MOD-APC:** Accessory Pole Coupler
- MOD-ASC:** Accessory Screen-Stacking Clamp
- MOD-ATD-W:** Accessory Trim Disc
- MOD-AUB:** Accessory U-Bolt Adaptor
- MOD-CPC(-W):** Ceiling Plate, Cathedral
- MOD-CPF:** Square Ceiling Plate, Flat (7.4" x 6.8")
- MOD-CPI:** I-Beam Ceiling Plate, Flat
- MOD-FPMD:** Flat Panel Mount, Dual Back-To-Back
- MOD-FPMS(-W):** Flat Panel Mount, Single
- MOD-P100(-B):** 50mm Extension Pole - 39" (1.0m)
- MOD-P150(-B):** 50mm Extension Pole - 59" (1.5m)
- MOD-P200(-B):** 50mm Extension Pole - 78" (2.0m)
- MOD-P300(-B):** 50mm Extension Pole - 118" (3.0m)
- MOD-UNL:** Universal Screen Adaptor, Large
- MOD-UNM:** Universal Screen Adaptor, Medium

All dimensions = inch (mm)



**Architect Specifications**

The Modular Series Floor-to-Ceiling Kit shall be a Peerless-AV model MOD-FCSKIT300(-B) and shall be located where indicated on the plans. Assembly and installation shall be done according to instructions provided by the manufacturer.

Visit [peerless-av.com](http://peerless-av.com) to see the complete line of AV solutions from Peerless-AV, including outdoor displays, wireless, kiosks, digital audio, display mounts, projector mounts, carts/stands, and a full assortment of accessories.

**Peerless-AV**  
2300 White Oak Circle  
Aurora, IL 60502 USA  
  
**(800) 865-2112**  
**(630) 375-5100**  
**Fax: (800) 359-6500**

**Peerless-AV Europe**  
Unit 3 Watford Interchange  
Colonial Way, Watford  
Herts, WD24 4WP  
United Kingdom  
**+44 (0) 1923 200100**  
**Fax: +44 (0) 1923 200101**

**Peerless-AV de México**  
Ave de las Industrias 413  
Parque Industrial Escobedo  
Escobedo, N.L.,  
Mexico 66050  
**+52 (81) 8384-8300**  
**Fax: +52 (81) 8384-8360**

