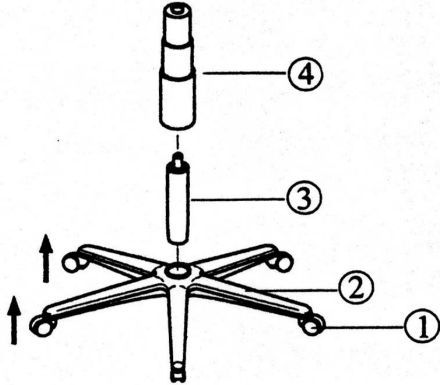


Model: BC42

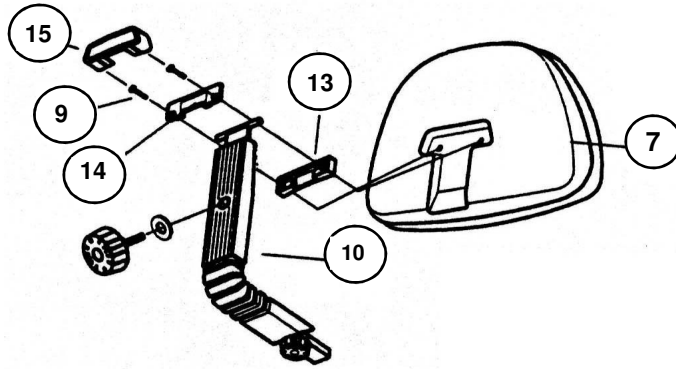
Assembly Instructions

Remove all items from the carton. Verify all pieces before assembly.



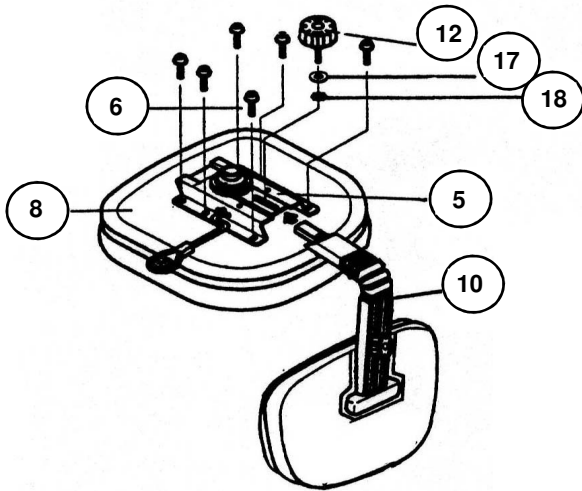
Step 1

- 1.1 Insert casters (1) into base (2).
- 1.2 Insert cylinder (3) into base (2).
- 1.3 Place cylinder cover (4) onto cylinder (3).



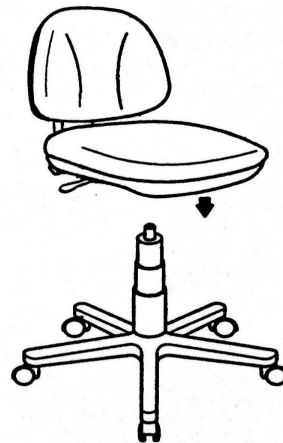
Step 2

- 2.1 Put plastic plate (13), backrest upright (10), metal plate (14) together and mount them onto backrest using backrest screws (9).
- 2.2 Snap backrest plastic cover (15) over the newly installed joint.



Step 3

- 3.1 Align mechanism (5) to underside of seat (8) and secure with mechanism screws (6).
- 3.2 Insert backrest upright (10) together with backrest and plastic cover into mechanism (5).
- 3.3 Install backrest depth adjustment knob (12) to secure backrest upright (10).



Step 4

- 4.1 Place the upper portion of chair (seat, back, and mechanism) onto the cylinder.
- 4.2 Test chair function.

(revised 5/17/01)