

100 Series Desk Stand Catalog

Single Horizontal

SPECS:

LCD Size: Up to 24" monitor
Rotation: 360°
Tilt: 20°+/10°-
Color: Black

INCLUDES:

(1) Standard 75/100mm VESA® pivot
(1) 16" wide x 10" deep Standard base
(1) 16" pole



Part Numbers:

Desk Stand: **100-D16-B01** (as shown on left)
Clamp: **100-C16-B01**
Slat Wall: **100-S16-B01**
Grommet: **100-G16-B01**
Flush Mount: **100-F16-B01**

Dual Horizontal

SPECS:

LCD Size: Up to 24" monitors
Rotation: 360°
Tilt: 20°+/10°-
Color: Black

INCLUDES:

(2) Standard 75/100mm VESA® pivots
(1) 25" horizontal bar
(1) 16" wide x 10" deep Standard base
(1) 16" pole



Part Numbers:

Desk Stand: **100-D16-B02**
Clamp: **100-C16-B02**
Slat Wall: **100-S16-B02**
Grommet: **100-G16-B02**
Flush Mount: **100-F16-B02**

Dual Vertical

SPECS:

LCD Size: Up to 24" monitors
Rotation: 360°
Tilt: 20°+/10°-
Color: Black

INCLUDES:

(2) Standard 75/100mm VESA® pivots
(1) 16" wide x 10" deep Standard base
(1) 28" pole



Part Numbers:

Desk Stand: **100-D28-B11**
Clamp: **100-C28-B11**
Slat Wall: **100-S28-B11**
Grommet: **100-G28-B11**
Flush Mount: **100-F28-B11**

Triple Horizontal

SPECS:

LCD Size: Up to 24" monitors
Rotation: 360°
Tilt: 20°+/10°-
Color: Black

INCLUDES:

- (1) Standard 75/100mm VESA® pivot
- (2) Quick Release 75/100mm VESA® Adjustable Pivots
- (2) 25" horizontal bars with wings
- (1) 18" wide x 16" deep HD base
- (1) 16" pole



Part Numbers:

Desk Stand: **100-D16-B03**
Clamp: **100-C16-B03**
Flush Mount: **100-F16-B03**

Triple Horizontal with Telescoping Wings

SPECS:

LCD Size: Up to 27" monitors
Rotation: 360°
Tilt: 20°+/10°-
Color: Black

INCLUDES:

- (1) Standard 75/100mm VESA® pivot
- (2) Quick Release 75/100mm VESA® Adjustable Pivots
- (2) 25" horizontal bars with Telescoping Wings
- (1) 18" wide x 16" deep HD base
- (1) 16" pole



Part Numbers:

Desk Stand: **100-D16-B03-TW**
Clamp: **100-C16-B03-TW**
Flush Mount: **100-F16-B03-TW**

Triple 1 over 2

SPECS:

LCD Size: Up to 24" monitors
Rotation: 360°
Tilt: 20°+/10°-
Color: Black

INCLUDES:

- (3) Standard 75/100mm VESA® pivots
- (1) 25" horizontal bar
- (1) 16" wide x 10" deep Standard base
- (1) 28" pole



Part Numbers:

Desk Stand: **100-D28-B12**

QUAD 1 over 3

SPECS:

LCD Size: Up to 24" monitors
Rotation: 360°
Tilt: 20°+/10°-
Color: Black

INCLUDES:

- (2) Standard 75/100mm VESA® pivots
- (2) Quick Release 75/100mm VESA® Adjustable Pivots
- (1) 25" horizontal bars with wings
- (1) 18" wide x 16" deep HD base
- (1) 28" pole



Part Numbers:

Desk Stand: **100-D28-B13**

QUAD 2 over 2

SPECS:

LCD Size: Up to 24" monitors
Rotation: 360°
Tilt: 20°+/10°-
Color: Black

INCLUDES:

- (4) Standard 75/100mm VESA® pivots
- (2) 25" horizontal bars
- (1) 18" wide x 16" deep HD base
- (1) 28" pole



Part Numbers:

Desk Stand: **100-D28-B22-HD**

HEX 3 over 3

SPECS:

LCD Size: Up to 24" monitors
Rotation: 360°
Tilt: 20°+/10°-
Color: Black

INCLUDES:

- (2) Standard 75/100mm VESA® pivots
- (4) Quick Release 75/100mm VESA® Adjustable Pivots
- (2) 25" horizontal bars with wings
- (1) 18" wide x 16" deep HD base
- (1) 28" pole



Part Numbers:

Desk Stand: **100-D28-B33**

Desk Stand Accessory Part Numbers

16" Pole

Part Number:

Black: **P00011**
Silver: **P00011-S**



28" Pole

Part Number:

Black: **P00045**
Silver: **P00045-S**



Standard Pivot

Part Number:

Black: **A00040**
Silver: **A00040-S**



Adjustable Pivot

Part Number:

Black: **A00140**
Silver: **A00140-S**



Single Direct Mount

Part Number:

Black: **A00029**



Telescoping Wings

Part Number:

Right: **A00224**
Left: **A00225**



Heavy Duty Base

Part Number:

Black: **P00051**



Desk Stand Mounting Kit Part Numbers

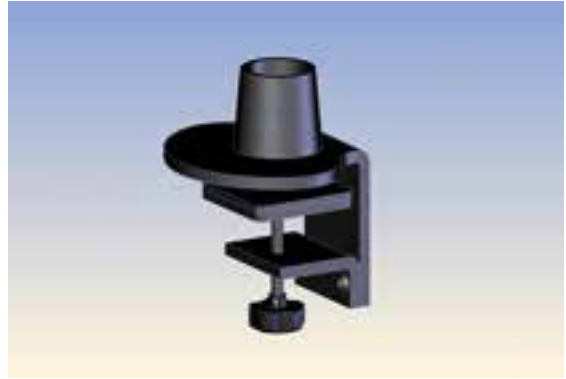
Desk Clamp Mount

Part Number:

Black: **A00041**

Silver: **A00041-S**

Ergotech desk clamp mounts are easily installed on any new flat desk surface. This is an ideal solution for single and dual LCD monitor mounts.



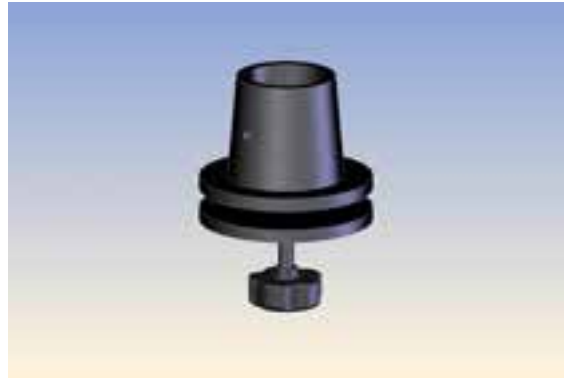
Grommet Mount

Part Number:

Black: **A00034**

Silver: **A00034-S**

Grommet mounts easily attach to any flat surface with an existing hole. If there is no existing hole, a 5/16" hole must be created. This option provides a simple way to attach to a flat work surface with underside access. This is an ideal solution for single and dual LCD monitor mounts.



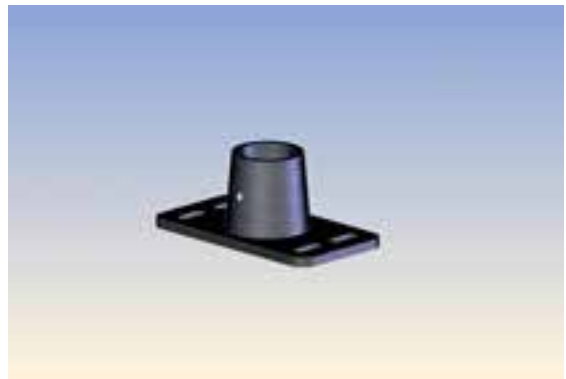
Flush Mount

Part Number:

Black: **A00103**

Silver: **A00103-S**

The flush mount can be fastened to any flat surface with screws or through-bolts (preferable). The single flush mount is available in numerous bottom plate configurations. These allow mounting to multiple interfaces such as rail with T nuts and recessed with standard nut and bolt or simple screws. The single flush mount provides extra strength and stability for larger single and dual LCD monitor mounts.



Slat Wall Mount

Part Number:

Black: **A00214**

The single slat wall mount is designed for single and dual LCD monitor mounts. Contact Ergotech to verify compatibility between your slat wall and our single slat wall bracket mount.

