

OMNILINK™

Wall Mount with Extension Capabilities



OmniLink™, by Ergotech, allows you to hang your flat panel directly on the wall to save maximum space. The available 4" and 8.5" extension links allow for an increased extension up to 14.6".

OmniLink allows both pivot and tilt, for even greater flexibility and range.

OMLK-B1-00

- Supports a monitor up to 45lbs
- Extends 4" from wall
- Compatible with VESA® displays
- Includes 75mm & 100mm VESA adapter
- Monitor pivots 90° for both portrait and landscape viewing
- Tilt: UP 30° / DOWN: 30°
- One-handed easy monitor repositioning



OMLK-B8-04

- Supports a monitor up to 35lbs
- Extends 14.6" from wall
- Compatible with VESA® displays
- Includes 75mm & 100mm VESA adapter
- Monitor pivots 90° for both portrait and landscape viewing
- Tilt: UP 30° / DOWN: 30°
- One-handed easy monitor repositioning



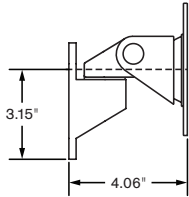
KEY FEATURE:

This wall display mount features adjustable tension at joints - ideal for touch-screen applications.

OMNILINK™

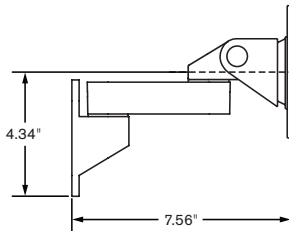
9110

45 lbs
max



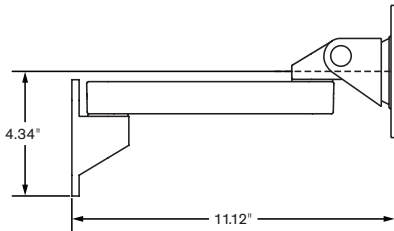
9110-4

38 lbs
max



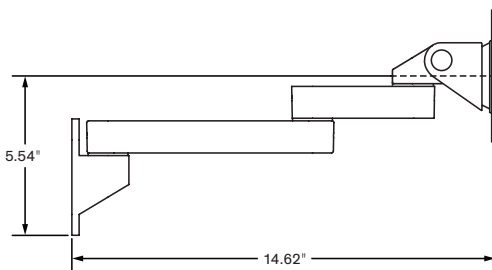
9110-8.5

28 lbs
max



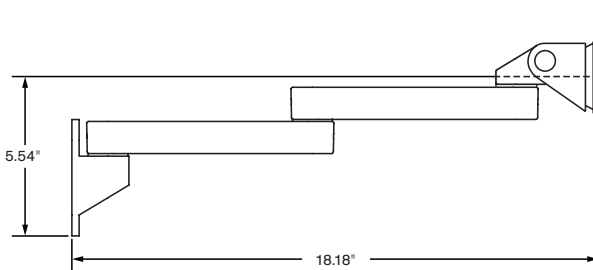
9110-8.5-4

22 lbs
max

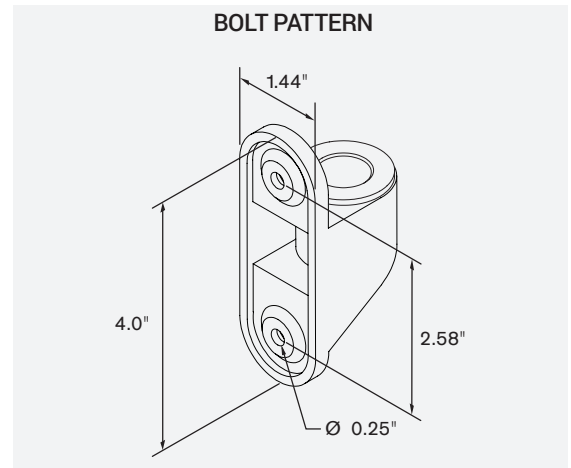


9110-8.5-8.5

18 lbs
max



BOLT PATTERN



Monitor pivot Landscape to portrait
 Monitor compatibility..... VESA® 75mm and 100mm