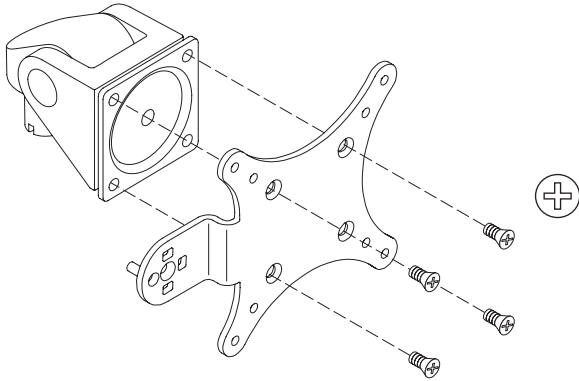
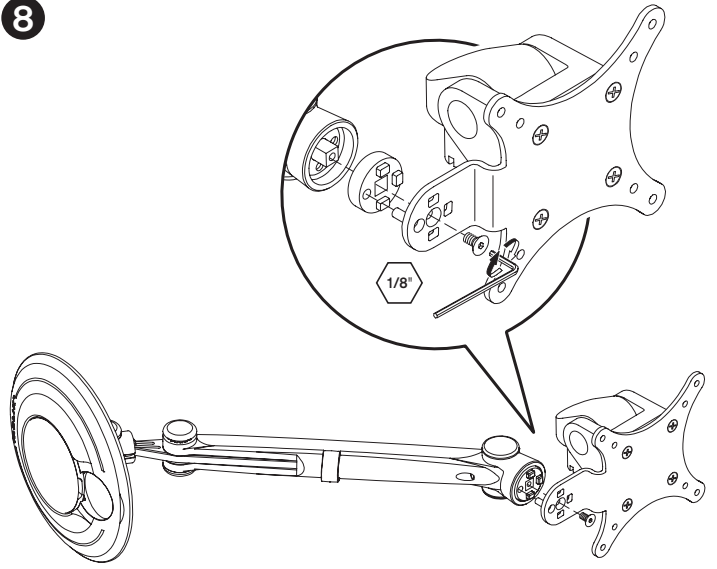


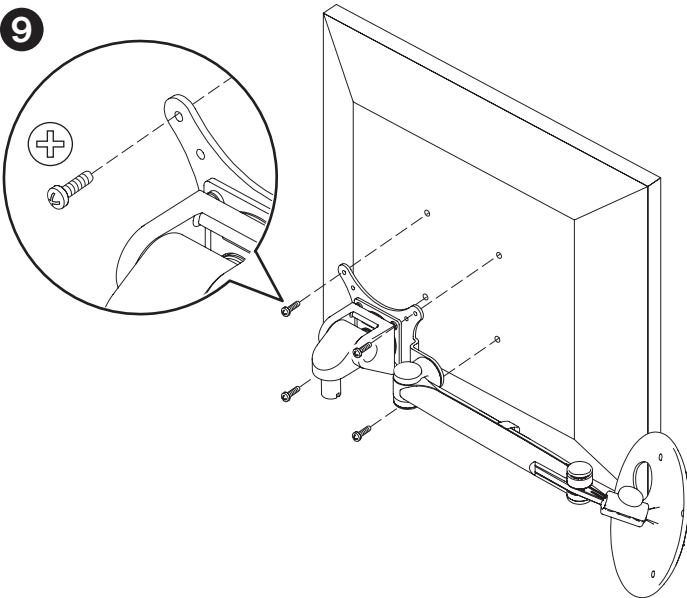
7



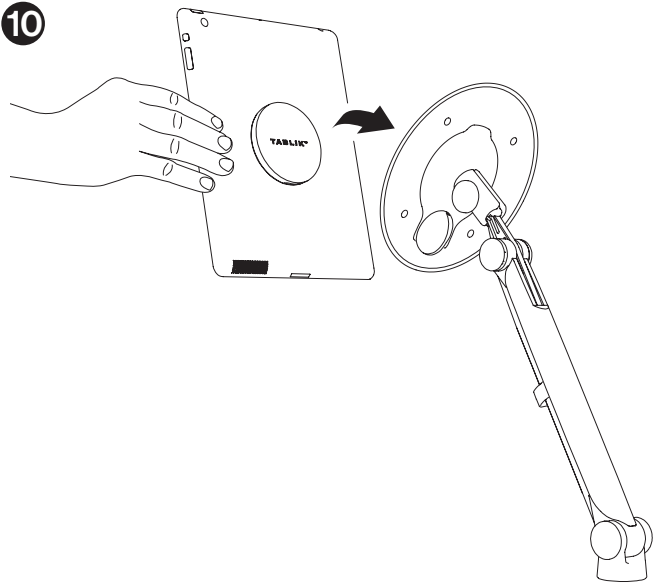
8



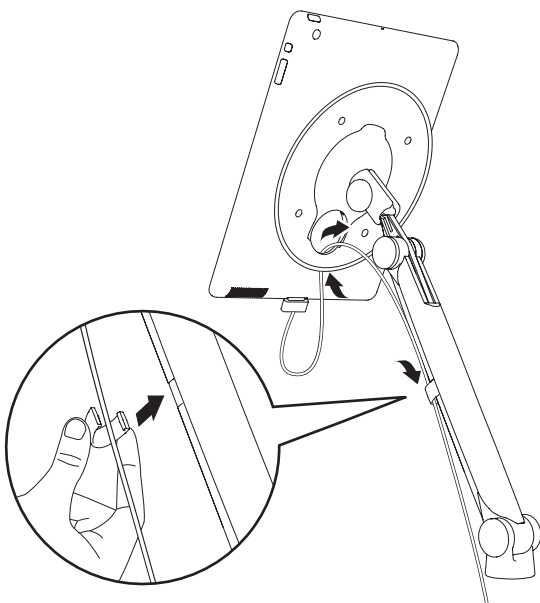
9



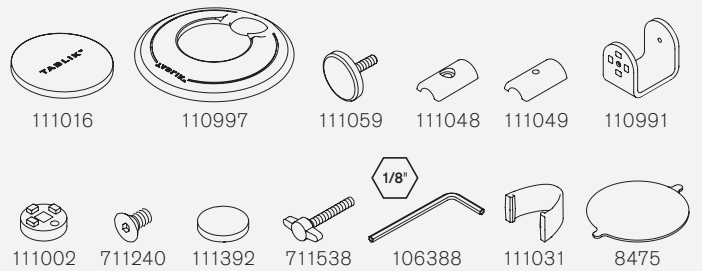
10



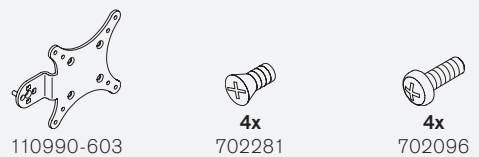
11

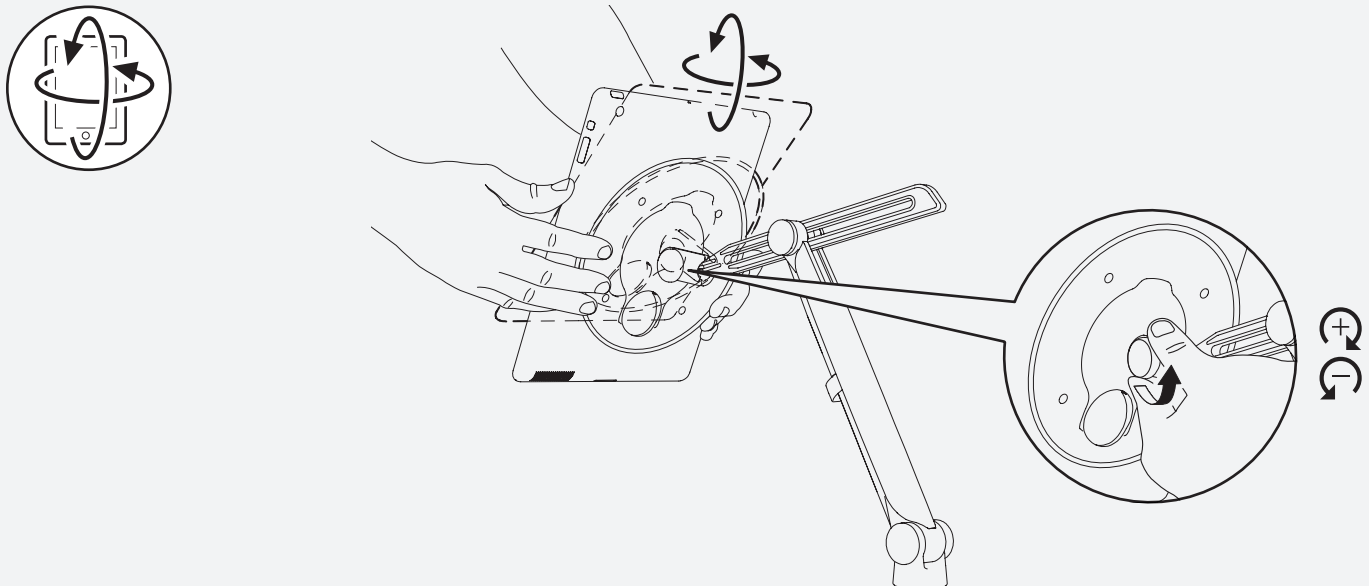
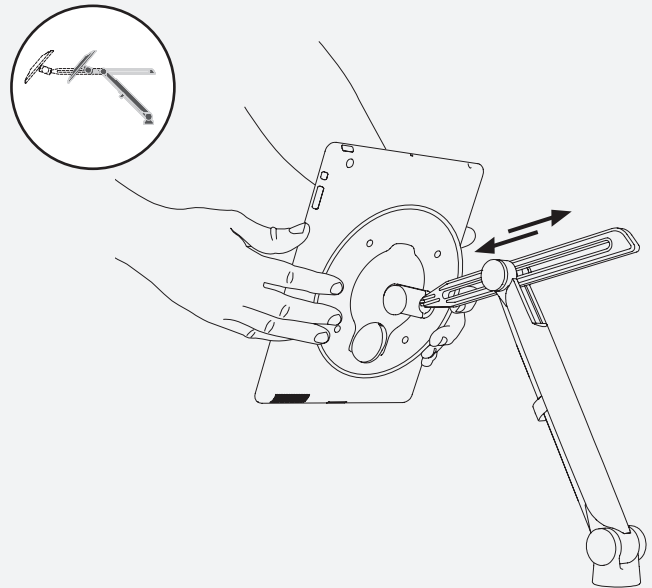
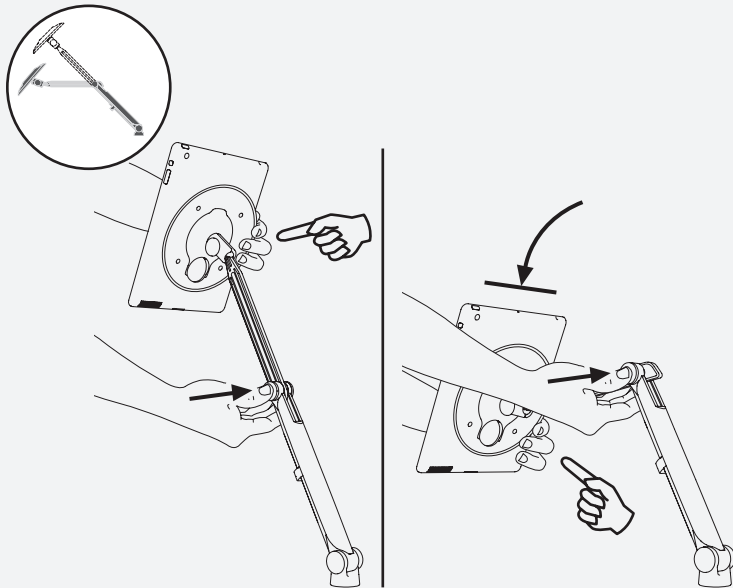
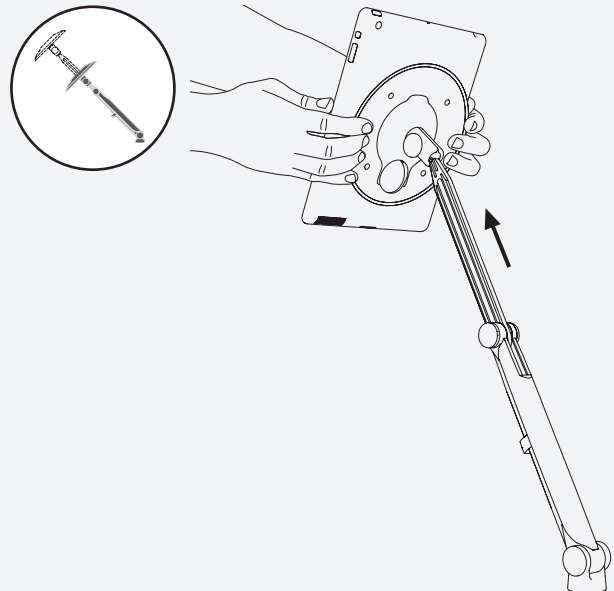
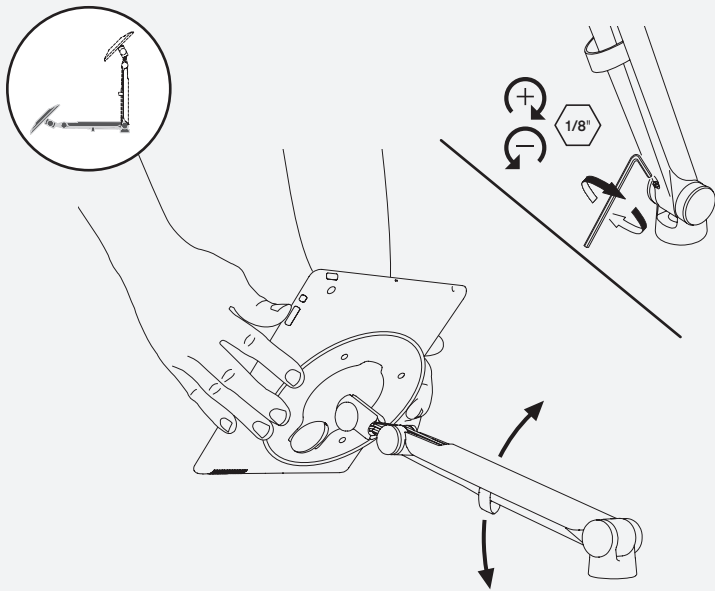


TBLK-DC

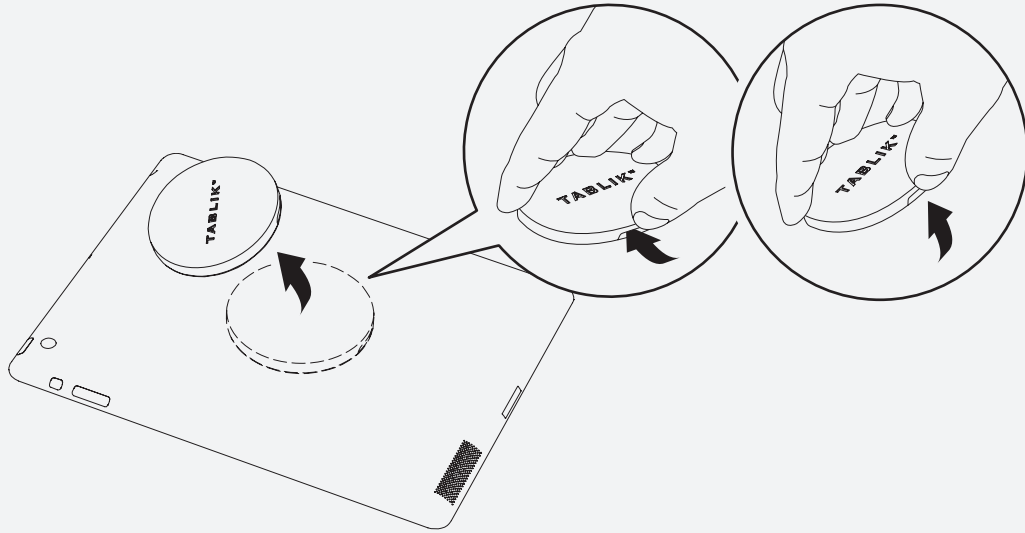
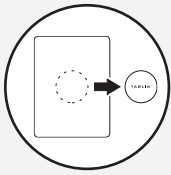


8474

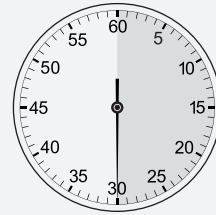
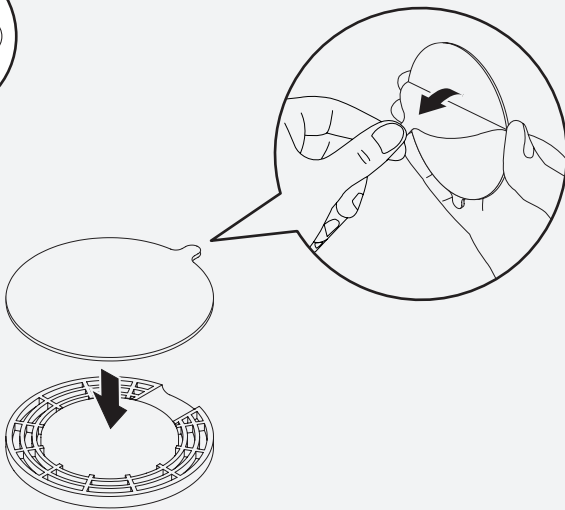
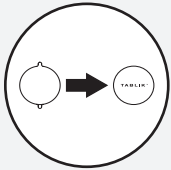




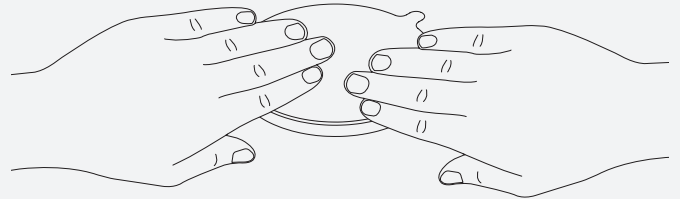
HOW TO REMOVE PUCK



HOW TO APPLY REPLACEMENT ADHESIVE TO PUCK



Press to puck
for 30 seconds.



877.523.2767
www.ergotechgroup.com