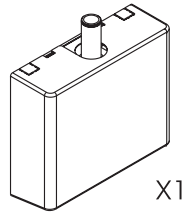


# HAA-01

To mount your flat panel monitor or any parts at an ergonomically correct position, start at step and continue as directed.

## Check list



X1



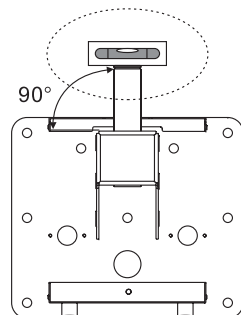
X6



X2



X1

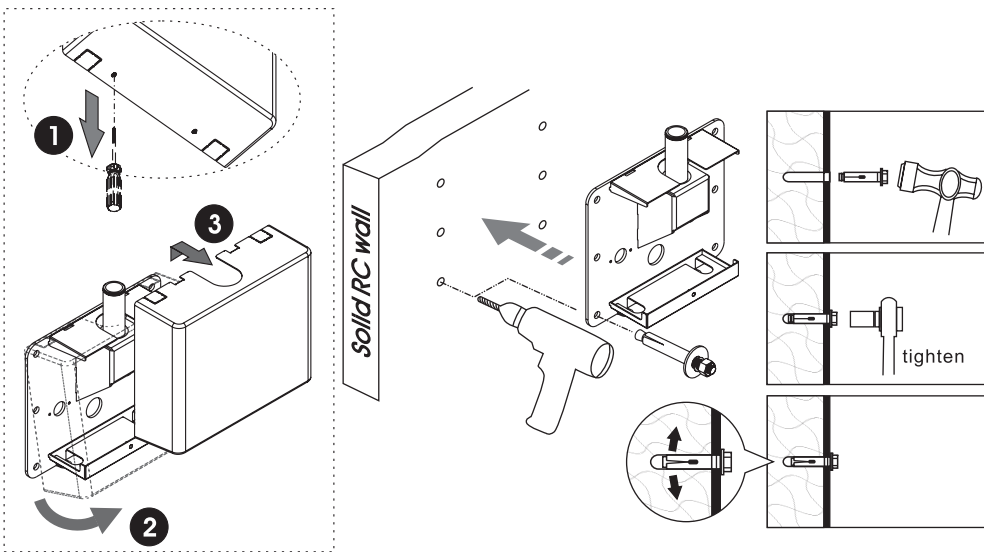


●Use level gauge to help the wall mount installation.

## Assembly Guide

### STEP 1. Wall Hanger Assemble:

1. Make sure the substantial wall before assembling.
2. Please take screwdriver to loosen the wall hanger then take out the cover of wall hanger. Do not discard the cover of wall hanger after take it out !
3. Put the wall hanger on the exact place & height that you want and have 6 marks on the wall.
4. Install the wall hanger on the wall with 6 expansion bolts.



# Assembly Guide

### STEP 2. Only keep the drawing on the assembly guide :

1. Place the bearings onto the spindle.
2. Place the arm onto the spindle and put the end cap on it.
3. Make sure C clip is fitted into groove of spindle securely for collecting the cables.
4. Fix the cover on the wall mount and screw the cover.

