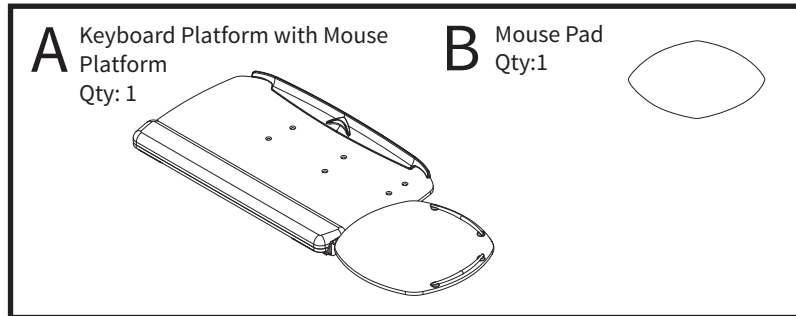
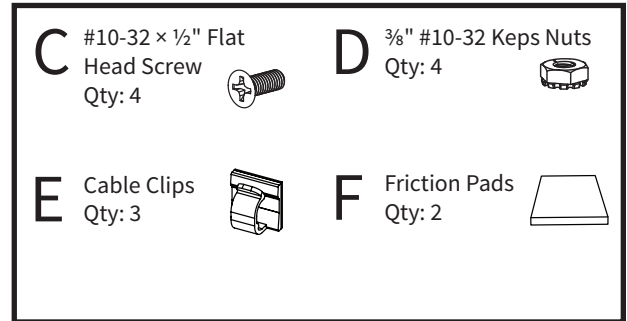


Assembly & Installation Instructions: Revo Platform Mounting for UB2100FT25

Parts Included



Hardware Kit #AKP-HDWR-ULT



Required

Adjustable Keyboard Arm

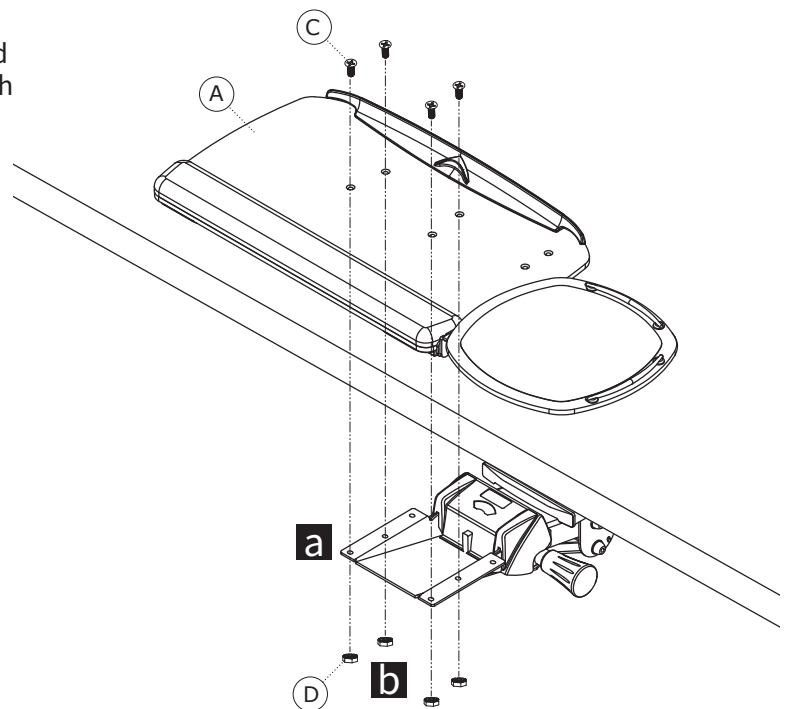
Tools Required

Wrench with 3/8" socket
#2 Phillips screwdriver or drill/driver

Note: Mount your adjustable keyboard arm to your worksurface using the instructions that came with your adjustable keyboard arm.

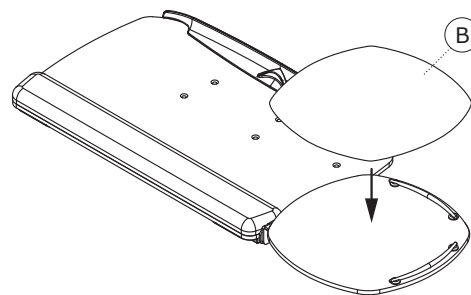
1 Mount Keyboard Platform to Arm

- a** Place the Keyboard Platform (A) on the keyboard arm and align the four holes on the platform with the four holes in the arm.
- b** Insert the #10-32 × 1/2" Flat Head Screws (C) through holes on platform, through the holes in the arm and fasten using four 3/8" #10-32 Keps Nuts (D). Tighten securely using Phillips head screwdriver.



2 Place Mouse Pad

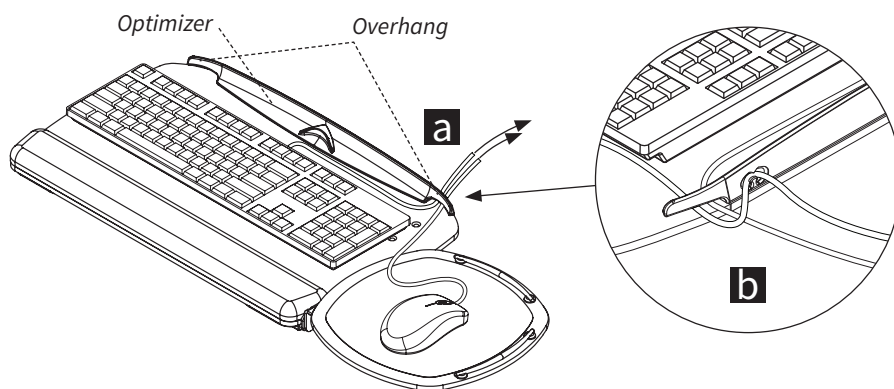
Peel the backing off the Mouse Pad (B) and place in either the left or right hand location. The Mouse Pad provides improved traction and pointing accuracy. It can be repositioned by simply peeling it up and placing it elsewhere.



3 Route Keyboard and Mouse Cords on Keyboard Platform

a Place keyboard cord under overhang at either end of Optimizer. Place mouse cord under overhang closest to the mouse.

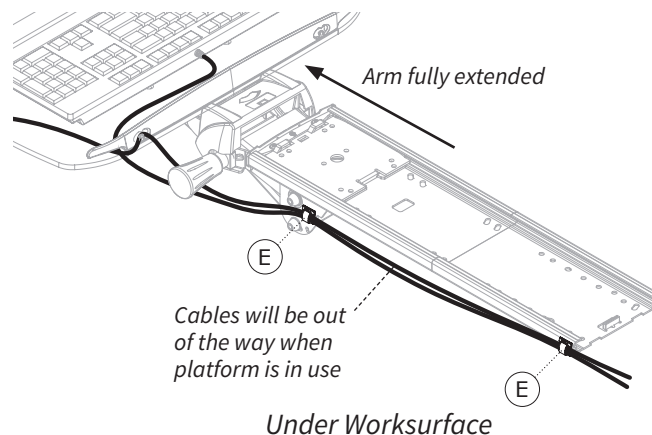
b Route the mouse cord into the slot at back rear corner of the Optimizer. Be sure to leave enough slack in cord to allow for unrestricted movement of the mouse.



4 Attach Cord Clips and Rout Cords on Arm & Under Worksurface

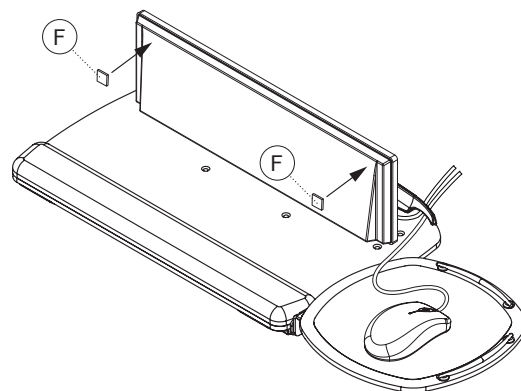
Note: Make sure your keyboard arm is fully extended before routing your cables.

Place one Cord Clip (D) on the side of the arm mechanism. Place the other Cord Clip on the rear of the track. Do the opposite side in the same fashion if cords run down the left side.



5 Apply Friction Pads or Hook & Loop Squares

Place Friction Pads (F) on the bottom surface of your keyboard to keep it in place, if necessary. The Friction Pads will keep your keyboard from sliding when the platform is angled.

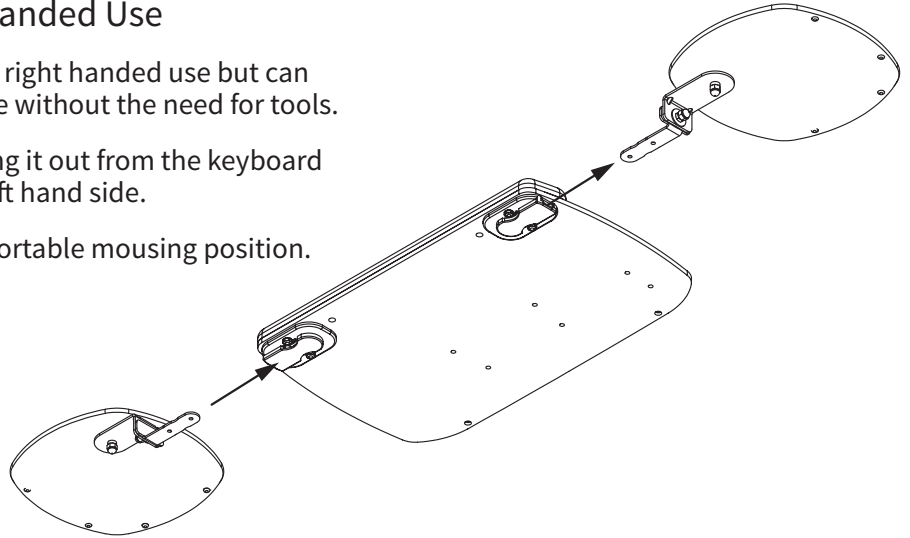


6 Configuring Models for Left Handed Use

Revo Platforms are preconfigured for right handed use but can easily be converted to left handed use without the need for tools.

Remove the Mouse Platform by pulling it out from the keyboard platform. Re-insert in receptacle on left hand side.

Reposition Mouse Platform in a comfortable mousing position.



7 Consult the User Guide for your Pinnacle Arm

Go to www.workriteergo.com/instructions to find the Revo Platform User Guide and Pinnacle Arm User Guide for instructions on how to set up this product for ideal ergonomic benefit.

