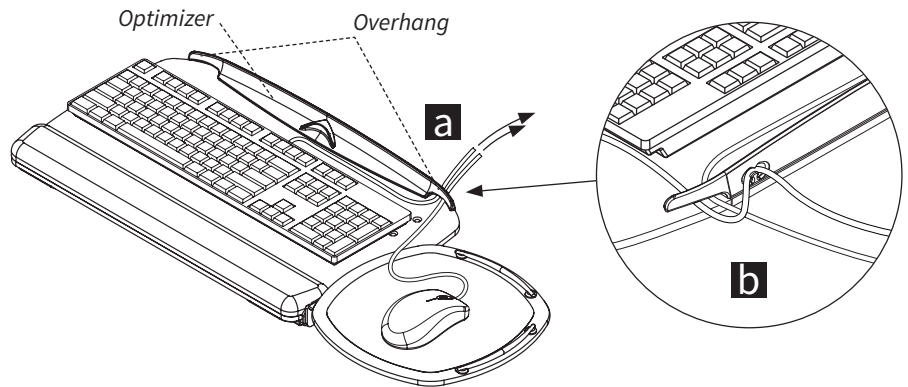


Note: Mount your adjustable keyboard arm to your worksurface and your platform to the arm using the instructions that came with your hardware. Step 1 and Step 2 may have been performed during installation.

1 Route Keyboard and Mouse Cords on Keyboard Platform

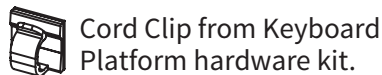
- a** Place keyboard cord under overhang at either end of Optimizer. Place mouse cord under overhang closest to the mouse.
- b** Route the mouse cord into the slot at back rear corner of the Optimizer. Be sure to leave enough slack in cord to allow for unrestricted movement of the mouse.



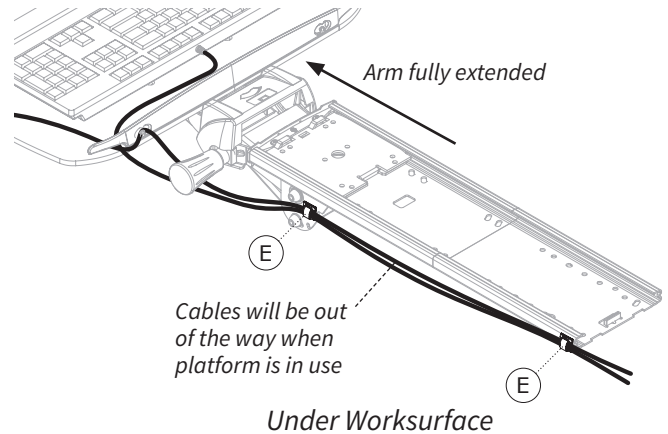
2 Attach Cord Clips, Route Cords on Arm and Under Worksurface

Note: Make sure your keyboard arm is fully extended before routing your cables.

Place one Cord Clip from your keyboard platform hardware kit on the side of the arm mechanism. Place the other Cord Clip on the rear of the track. Do the opposite side in the same fashion if cords run down the left side.

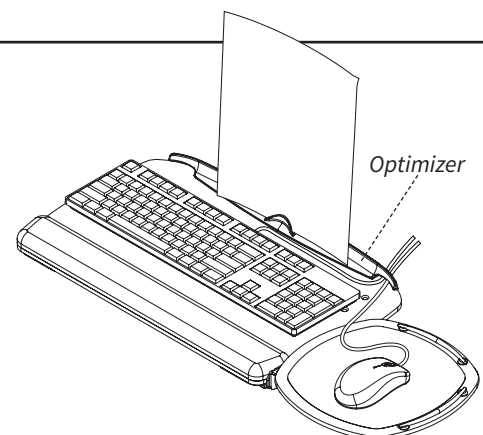


Caution: Keyboard Clip adhesion is designed to bond immediately. You will not be able to reposition the clip once it's in place.



3 Document Holder

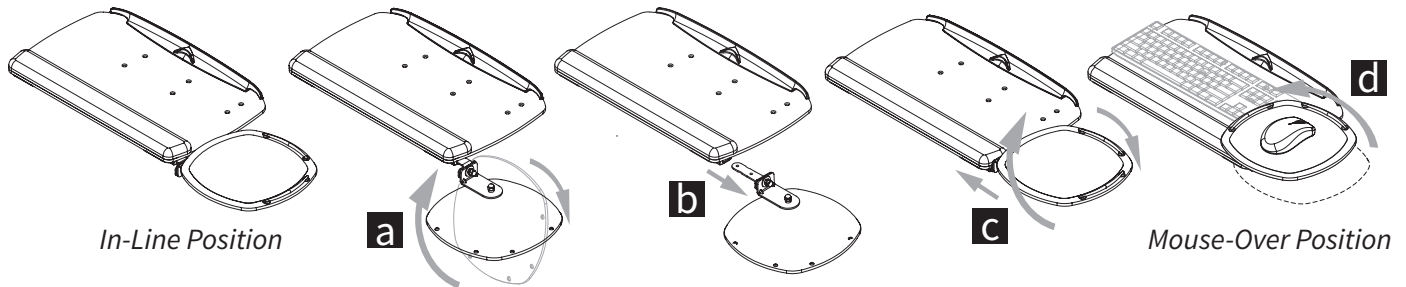
The Revo Platform feature a convenient document holder. Just insert your document into the slot in the Optimizer.



4 Changing Mouse Platform Positions

The Revo Platform ships in the In-Line Mouse position. To move the Mouse Platform into a Mouse Over position, do the following:

- a** With Mouse Platform attached to Keyboard Platform, rotate the mouse platform upside down.
- b** Remove the Mouse Platform by pulling out from Keyboard Platform.
- c** Flip right side up and reinsert into Keyboard Platform.
- d** Swivel over Keyboard platform. You can now mouse over the 10 key if you rarely use those keys.

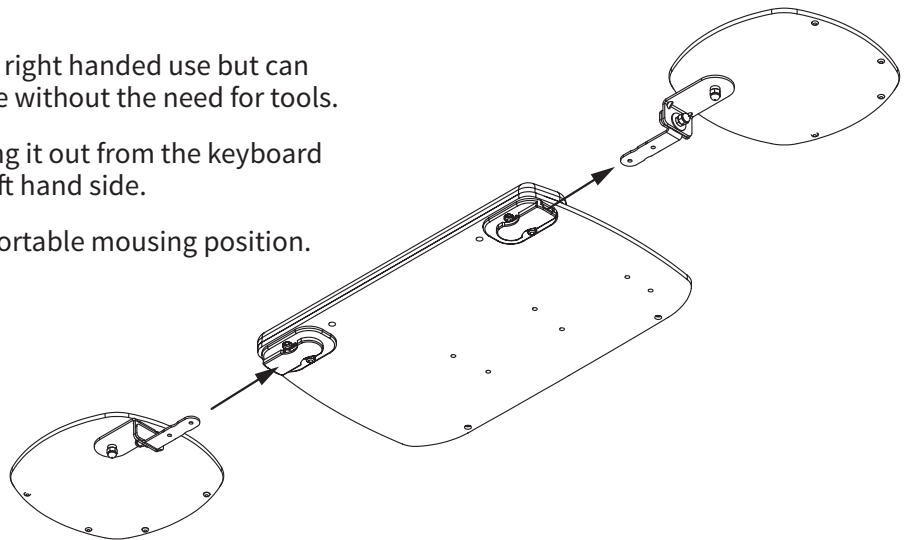


5 Right to Left Handed

Revo Platforms are preconfigured for right handed use but can easily be converted to left handed use without the need for tools.

Remove the Mouse Platform by pulling it out from the keyboard platform. Re-inset in receptacle on left hand side.

Reposition Mouse Platform in a comfortable mousing position.



6 Consult the User Guide for your Pinnacle Arm

Go to www.workriteergo.com/instructions to find the Pinnacle Arm User Guide for instructions on how to set up this product for ideal ergonomic benefit.

