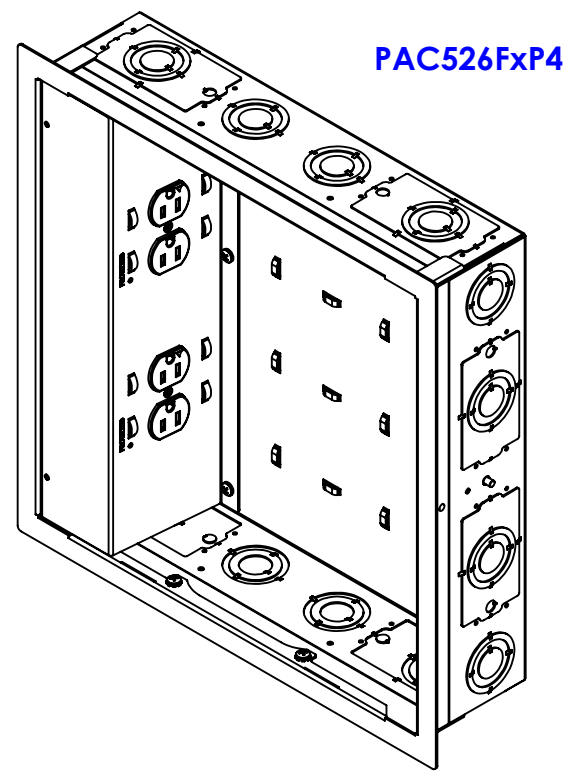
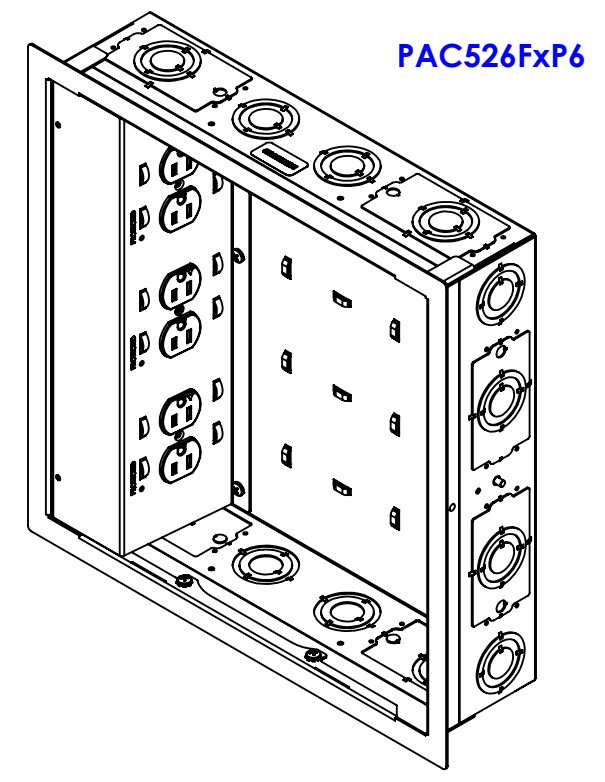


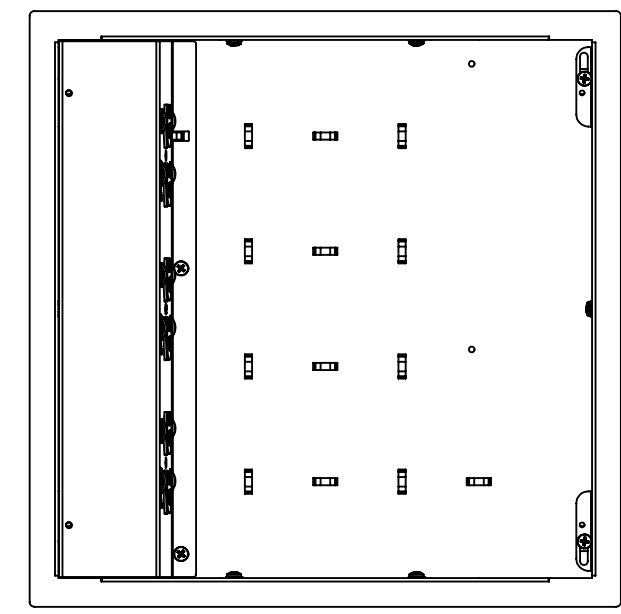
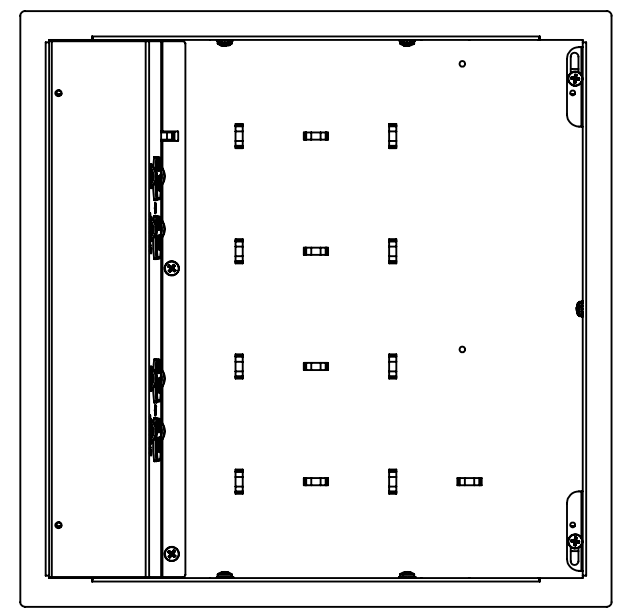
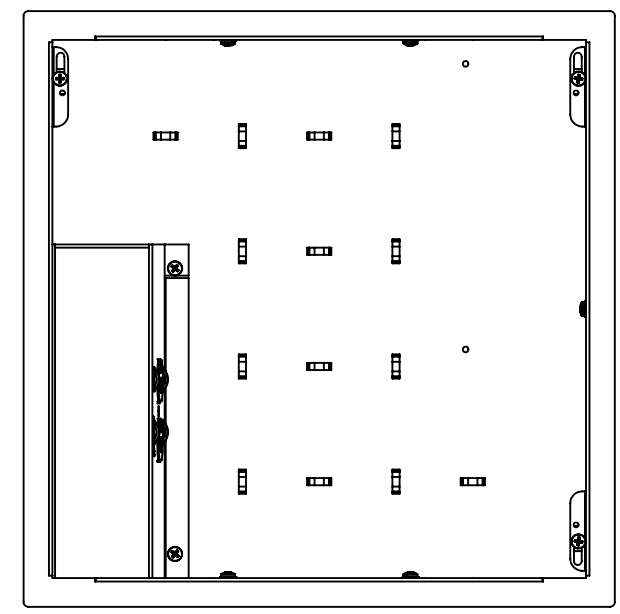
PAC526FxP2



PAC526FxP4



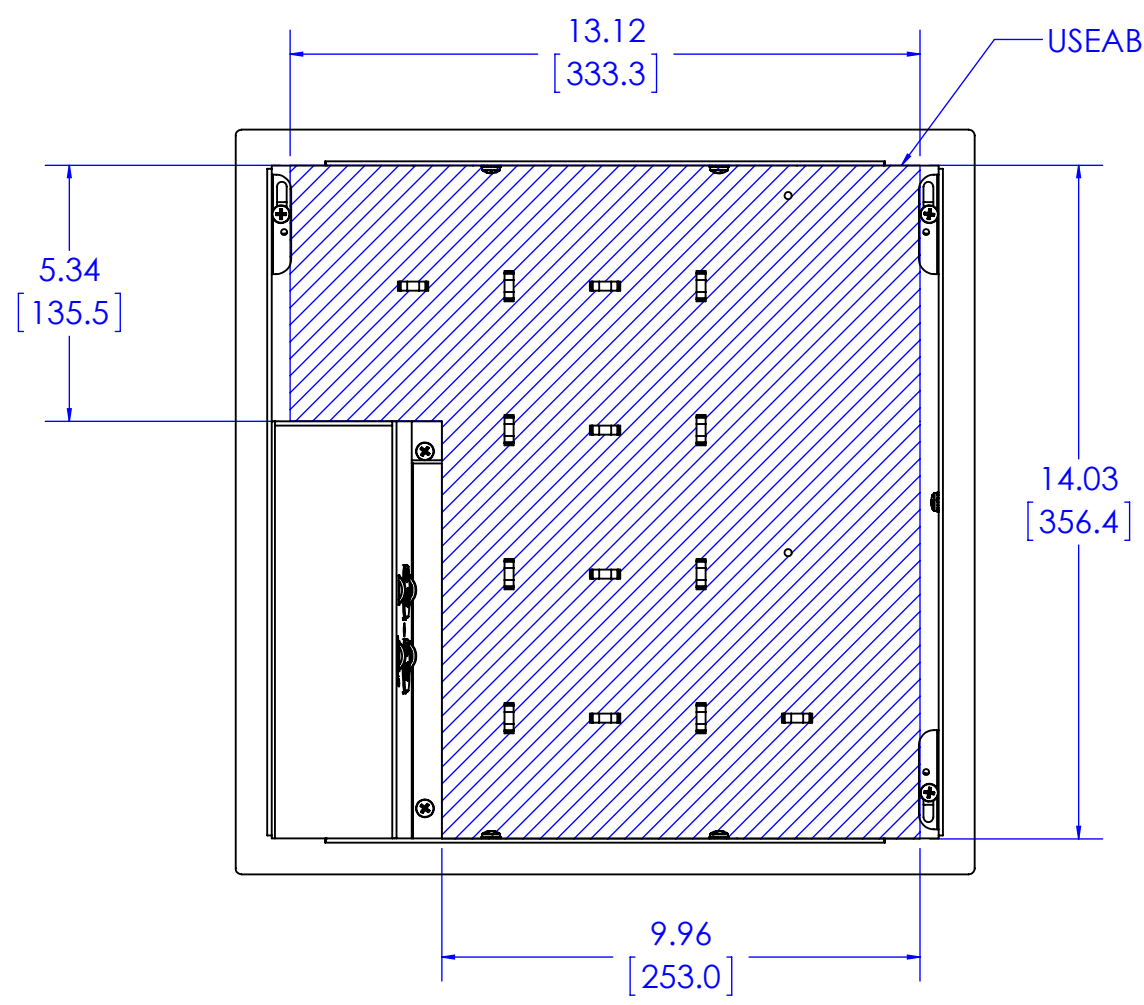
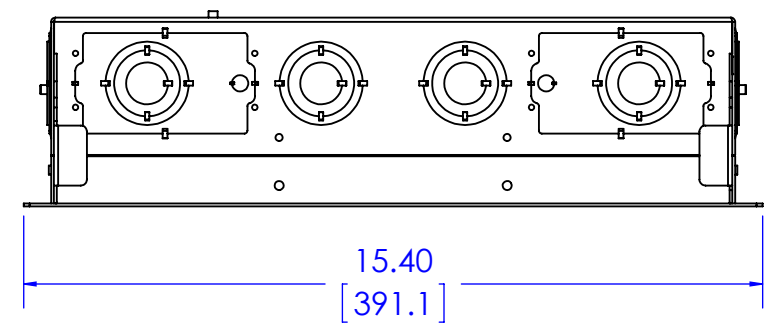
PAC526FxP6



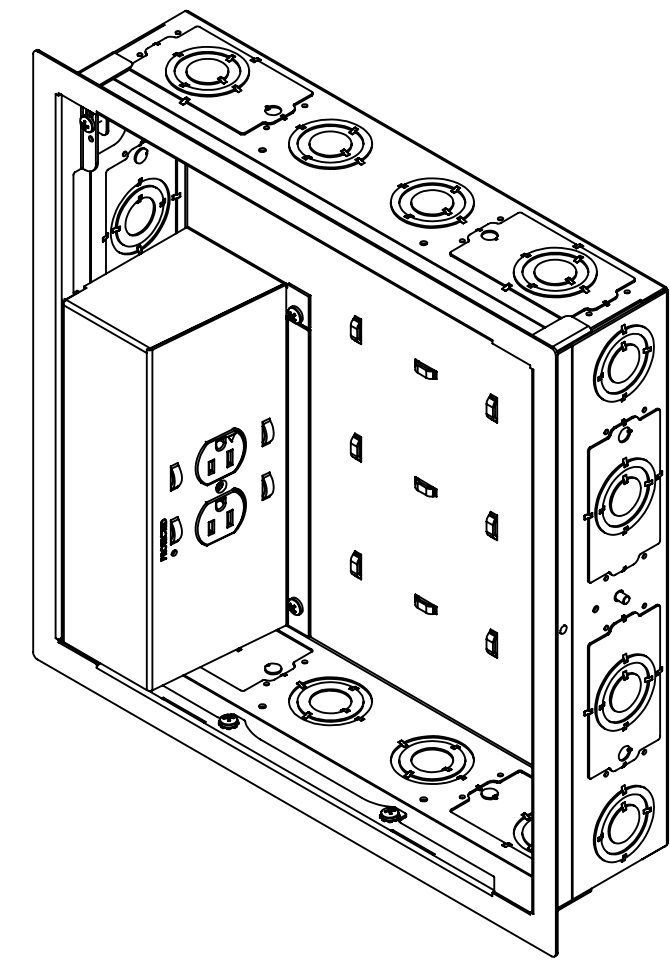
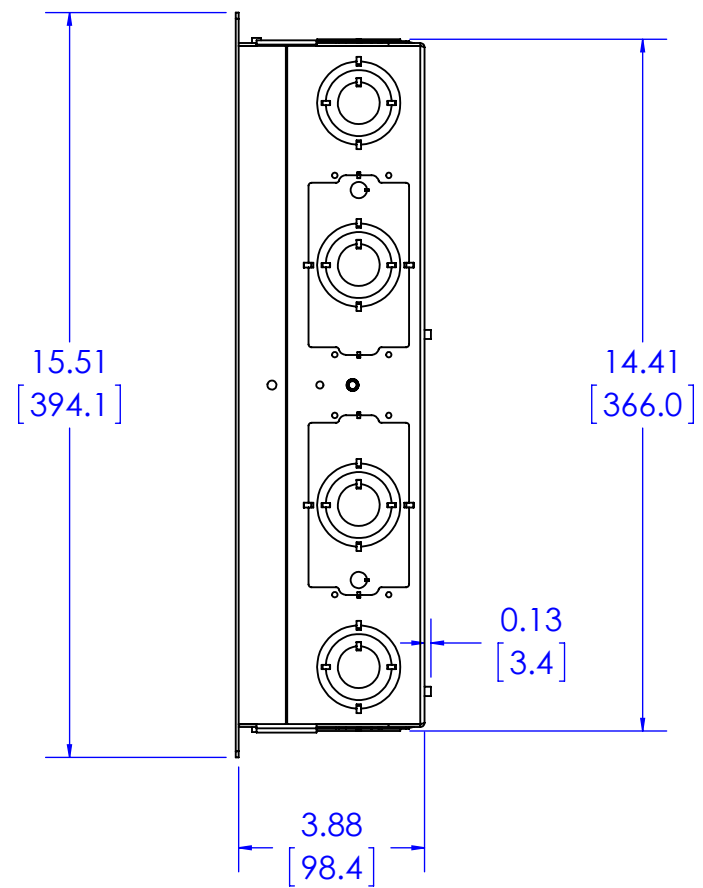
THE INFORMATION AND DESIGNS CONTAINED IN THIS DRAWING ARE CONFIDENTIAL AND THE PROPRIETARY PROPERTY OF MILESTONE AV TECHNOLOGIES NEITHER THIS DESIGN NOR ANY INFORMATION CONTAINED IN THIS DRAWING MAY BE REPRODUCED OR DISCLOSED TO OTHERS WITHOUT THE EXPRESS WRITTEN CONSENT OF MILESTONE AV TECHNOLOGIES.

CAD GENERATED DRAWING, DO NOT MANUALLY UPDATE.			6436 CITY WEST PKWY EDEN PRAIRIE MN, 55344 PHONE: 866-977-3901 FAX: 877-894-6918			
DRAWN BY	MM	8/17/2015				
ENG APPROVAL			DESCRIPTION			
MFG APPROVAL			PAC526 LARGE IN-WALL BOX W/ POWER			
QA APPROVAL			MODEL NO.			
SHEET 1 OF 3			SCALE	SIZE	DWG. NO.	REV.
			1:5	B	TECH-000726	01

SEE PAC526 FOR ADDITIONAL BOX DIMENSIONS



USEABLE STORAGE SPACE

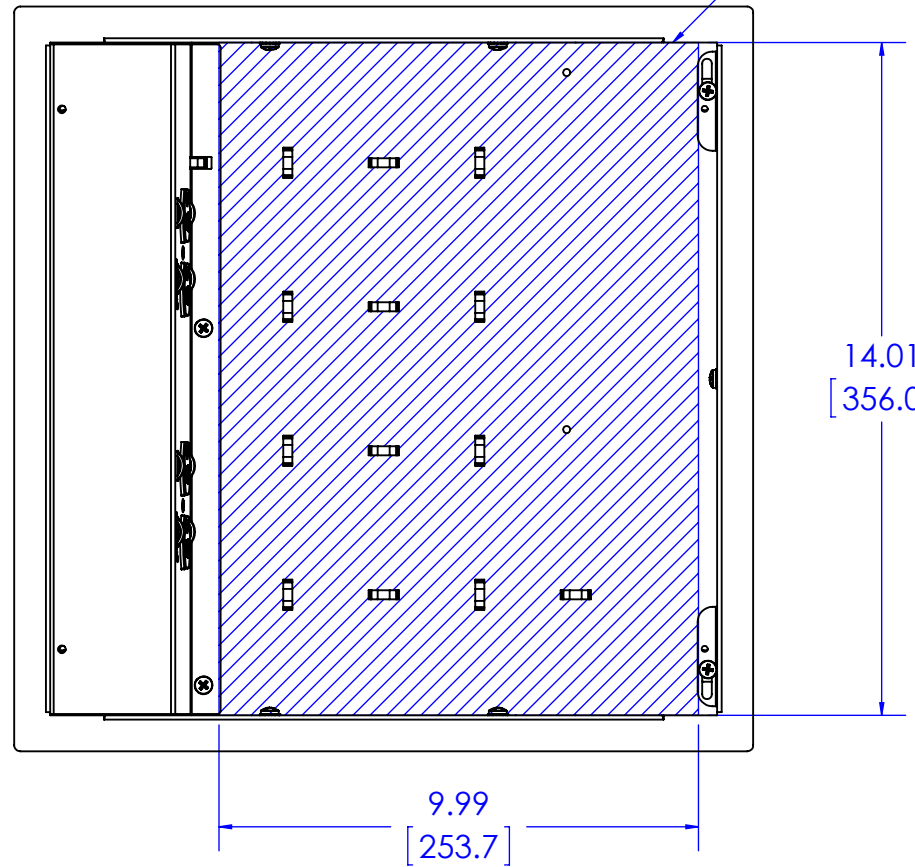
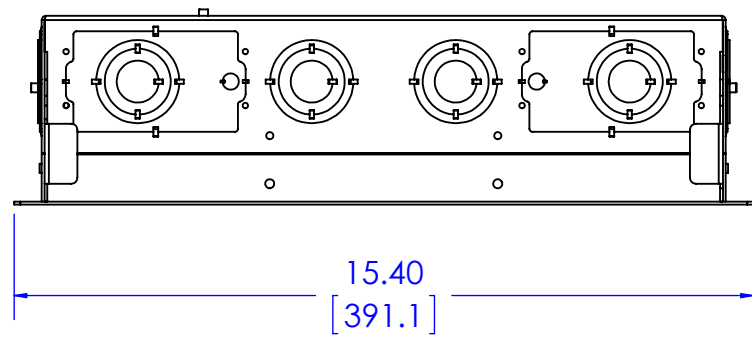


- AC LINE POWER CONDITIONER 125 V~, 60 Hz, 15 A**
- 4x14 AWG STRANDED WIRE W/ ISOLATED GROUND**
- SURGE PROTECTION**
- EMI/RFI FILTERING**
- POWER CONSUMPTION: <0.5 WATT**

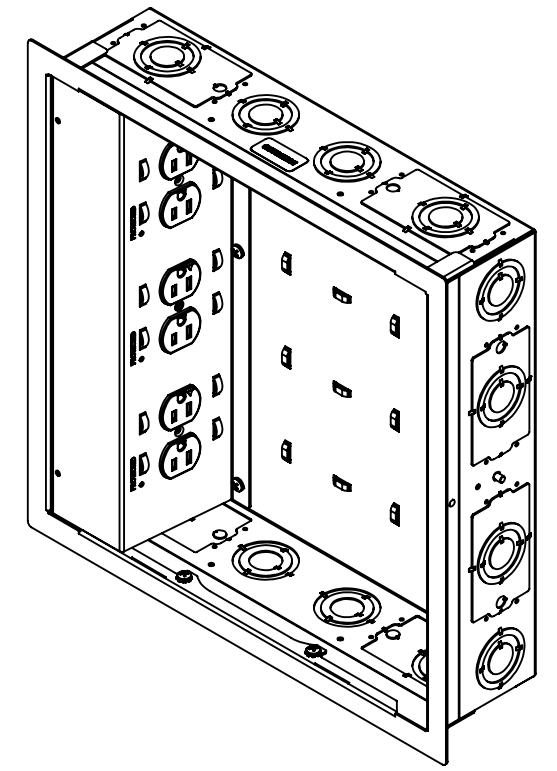
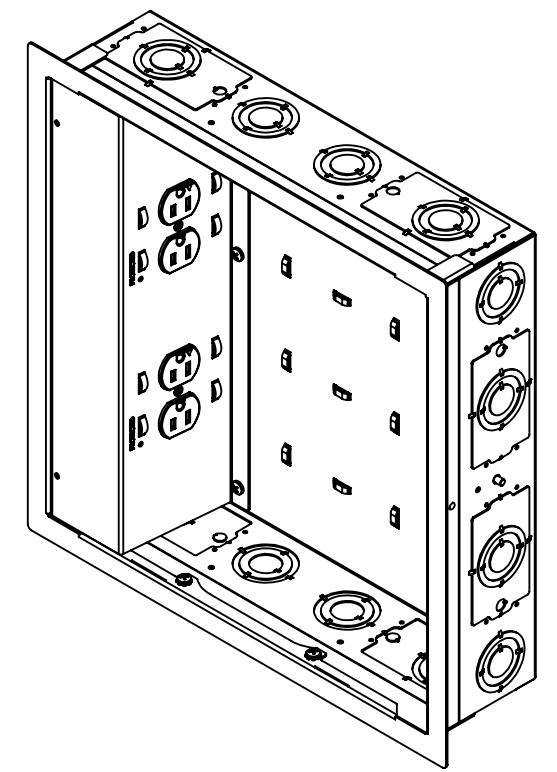
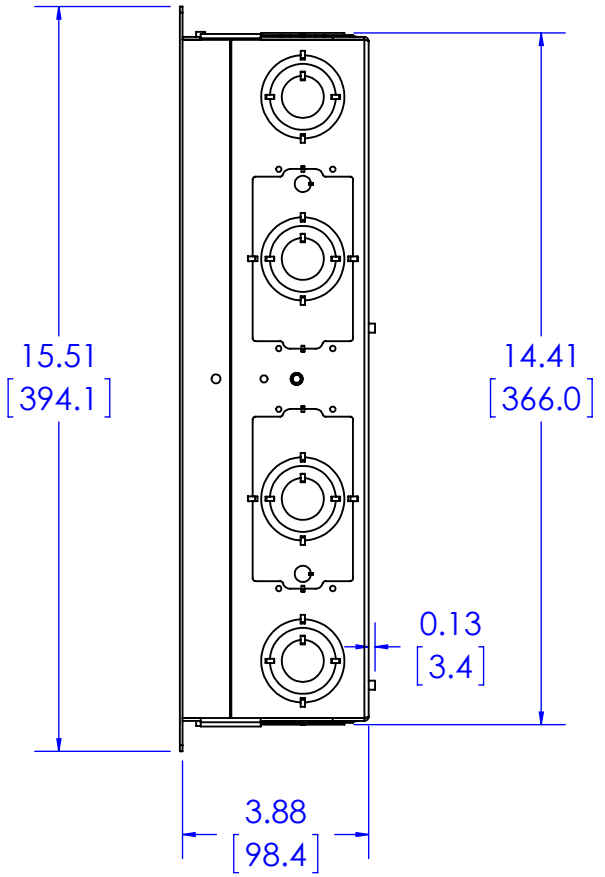
THE INFORMATION AND DESIGNS CONTAINED IN THIS DRAWING ARE CONFIDENTIAL AND THE PROPRIETARY PROPERTY OF MILESTONE AV TECHNOLOGIES NEITHER THIS DESIGN NOR ANY INFORMATION CONTAINED IN THIS DRAWING MAY BE REPRODUCED OR DISCLOSED TO OTHERS WITHOUT THE EXPRESS WRITTEN CONSENT OF MILESTONE AV TECHNOLOGIES.

CAD GENERATED DRAWING, DO NOT MANUALLY UPDATE.			CHIEF 6436 CITY WEST PKWY EDEN PRAIRIE MN, 55344 PHONE: 866-977-3901 FAX: 877-894-6918	
DRAWN BY	MM	8/17/2015	DESCRIPTION PAC526 LARGE IN-WALL BOX W/ POWER	
ENG APPROVAL			MODEL NO. PAC526FxPx	
MFG APPROVAL			SIZE	DWG. NO. B TECH-000726
QA APPROVAL			SHEET 2 OF 3	SCALE 1:4
				REV. 01

SEE PAC526 FOR ADDITIONAL BOX DIMENSIONS



USEABLE STORAGE SPACE



- AC LINE POWER CONDITIONER 125 V~, 60 Hz, 15 A**
- 4x14 AWG STRANDED WIRE W/ ISOLATED GROUND**
- SURGE PROTECTION**
- EMI/RFI FILTERING**
- POWER CONSUMPTION: <0.5 WATT**

THE INFORMATION AND DESIGNS CONTAINED IN THIS DRAWING ARE CONFIDENTIAL AND THE PROPRIETARY PROPERTY OF MILESTONE AV TECHNOLOGIES NEITHER THIS DESIGN NOR ANY INFORMATION CONTAINED IN THIS DRAWING MAY BE REPRODUCED OR DISCLOSED TO OTHERS WITHOUT THE EXPRESS WRITTEN CONSENT OF MILESTONE AV TECHNOLOGIES.

CAD GENERATED DRAWING, DO NOT MANUALLY UPDATE.			6436 CITY WEST PKWY EDEN PRAIRIE MN, 55344 PHONE: 866-977-3901 FAX: 877-894-6918	
DRAWN BY	MM 8/17/2015		DESCRIPTION PAC526 LARGE IN-WALL BOX W/ POWER	
ENG APPROVAL		MODEL NO. PAC526FxPx		REV. 01
MFG APPROVAL		SCALE 1:4		SIZE B
QA APPROVAL		DWG. NO. TECH-000726		
SHEET 3 OF 3				