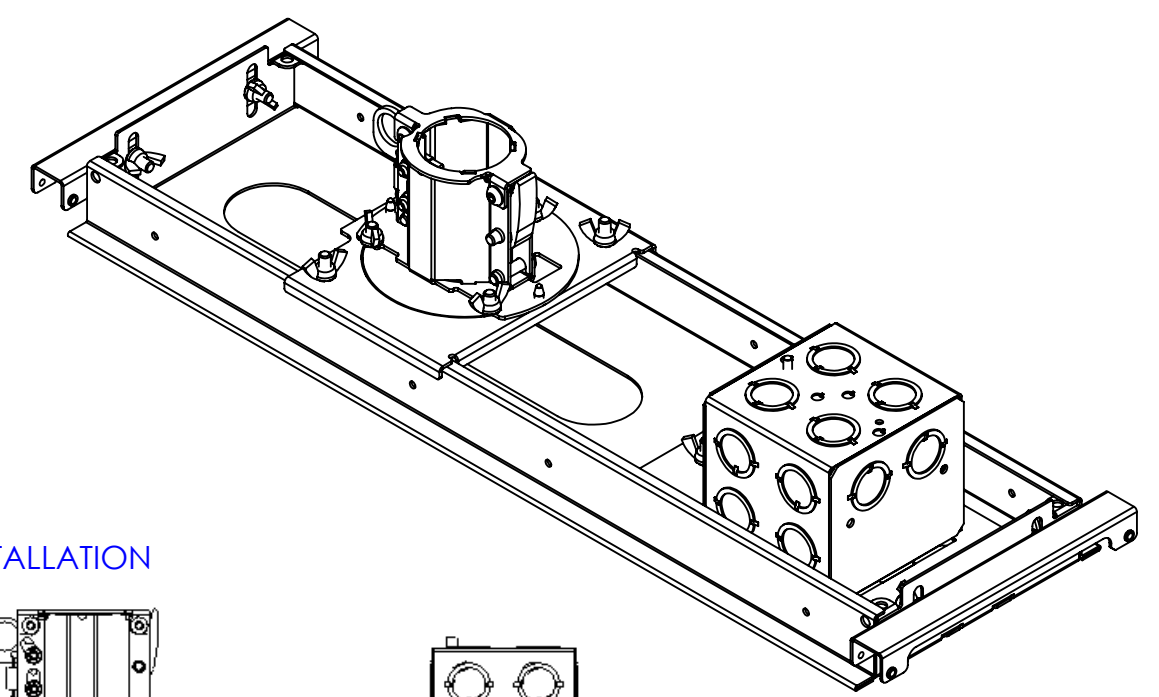
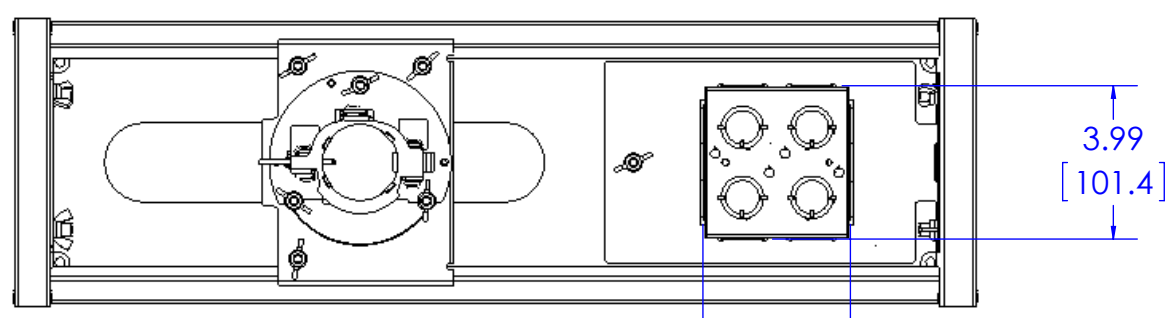
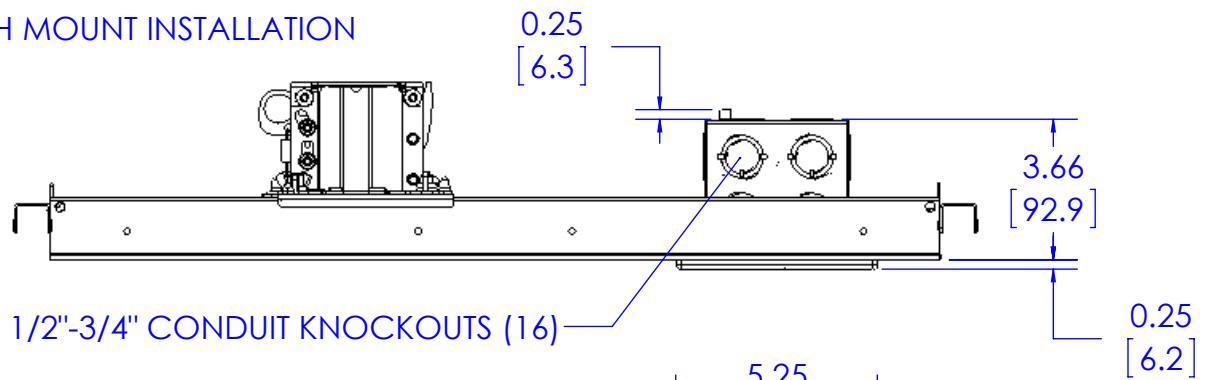


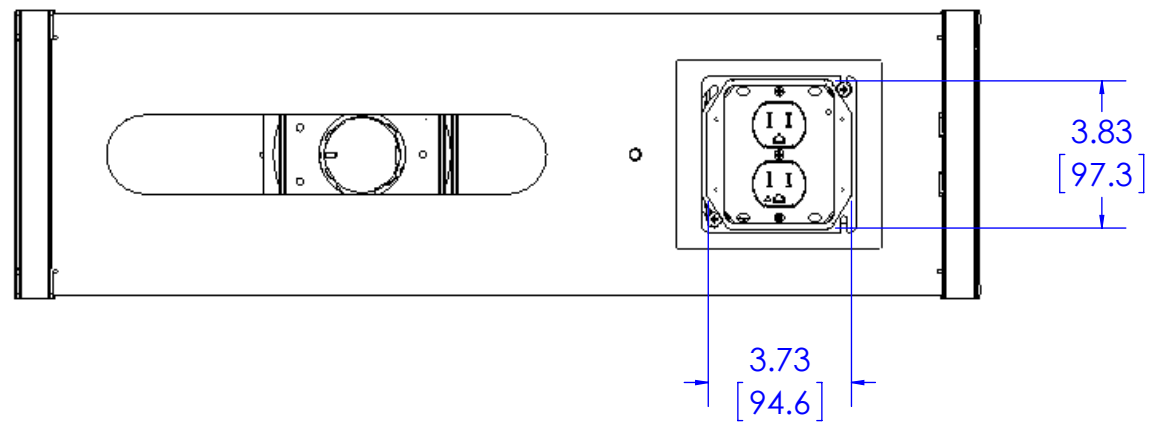
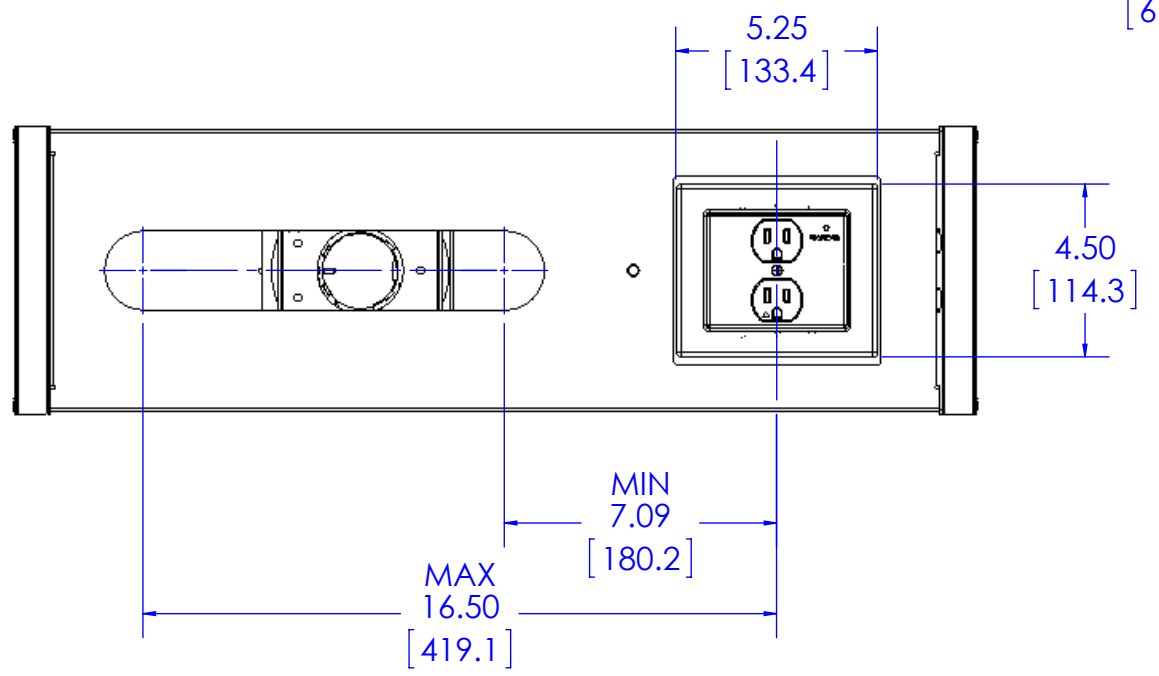
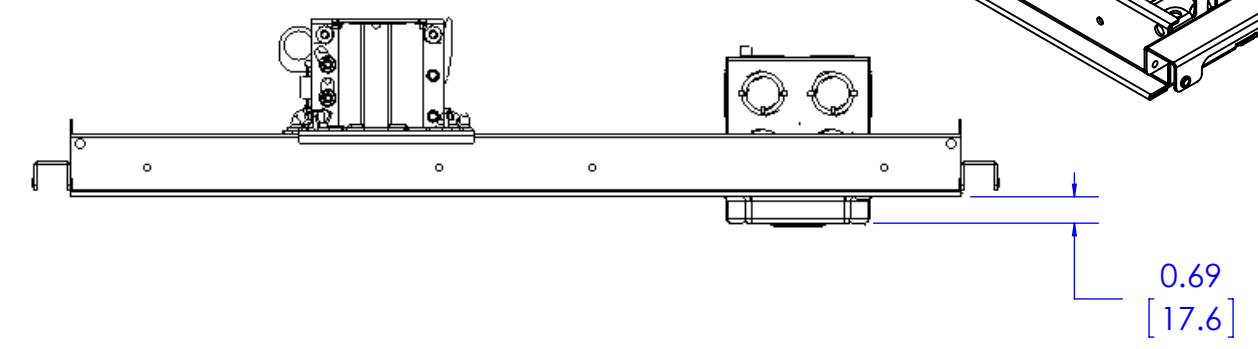
SEE SYSAU FOR CEILING PLATE DIMENSIONS



FLUSH MOUNT INSTALLATION



ABOVE TILE INSTALLATION



AC LINE POWER CONDITIONER 125 V~, 60 Hz, 15 A
4x14 AWG STRANDED WIRE W/ ISOLATED GROUND
SURGE PROTECTION
EMI/RFI FILTERING
POWER CONSUMPTION: <0.5 WATT

THE INFORMATION AND DESIGNS CONTAINED IN THIS DRAWING ARE CONFIDENTIAL AND THE PROPRIETARY PROPERTY OF MILESTONE AV TECHNOLOGIES NEITHER THIS DESIGN NOR ANY INFORMATION CONTAINED IN THIS DRAWING MAY BE REPRODUCED OR DISCLOSED TO OTHERS WITHOUT THE EXPRESS WRITTEN CONSENT OF MILESTONE AV TECHNOLOGIES.

CAD GENERATED DRAWING, DO NOT MANUALLY UPDATE.				6436 CITY WEST PKWY EDEN PRAIRIE MN, 55344 PHONE: 866-977-3901 FAX: 877-894-6918	
DRAWN BY	MM	8/18/2015		DESCRIPTION SYSAU PROJECTOR KIT W/ POWER	
ENG APPROVAL			MODEL NO. SYSAUxP2		
MFG APPROVAL			SCALE 1:5		
QA APPROVAL			SIZE	DWG. NO.	REV.
SHEET 1 OF 1			B	TECH-000724	01