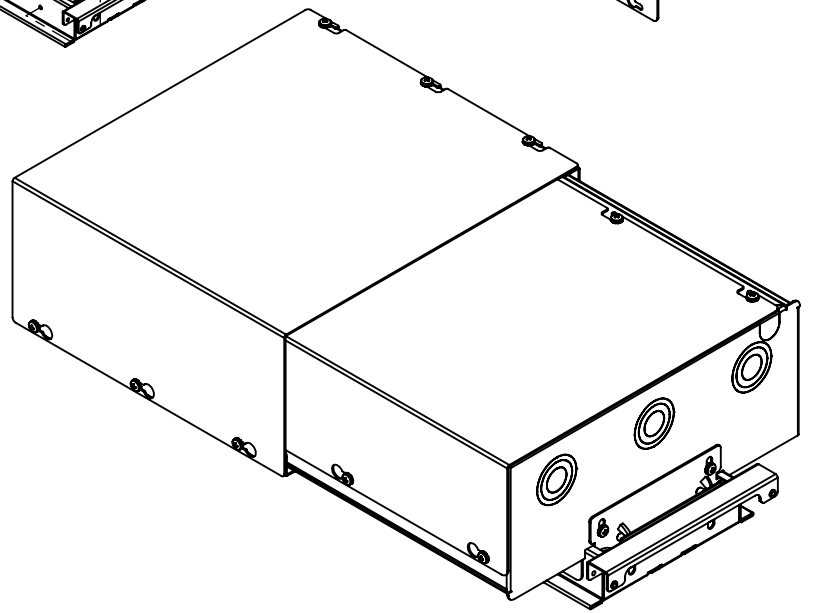
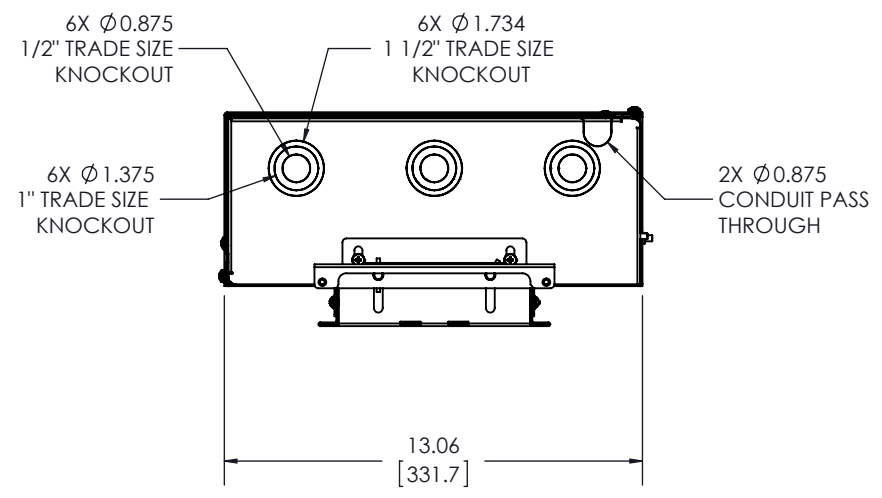
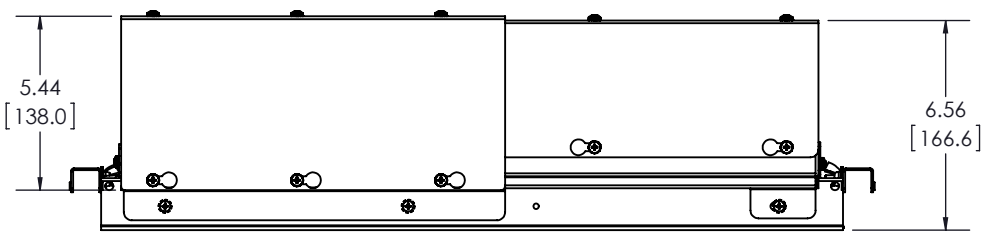
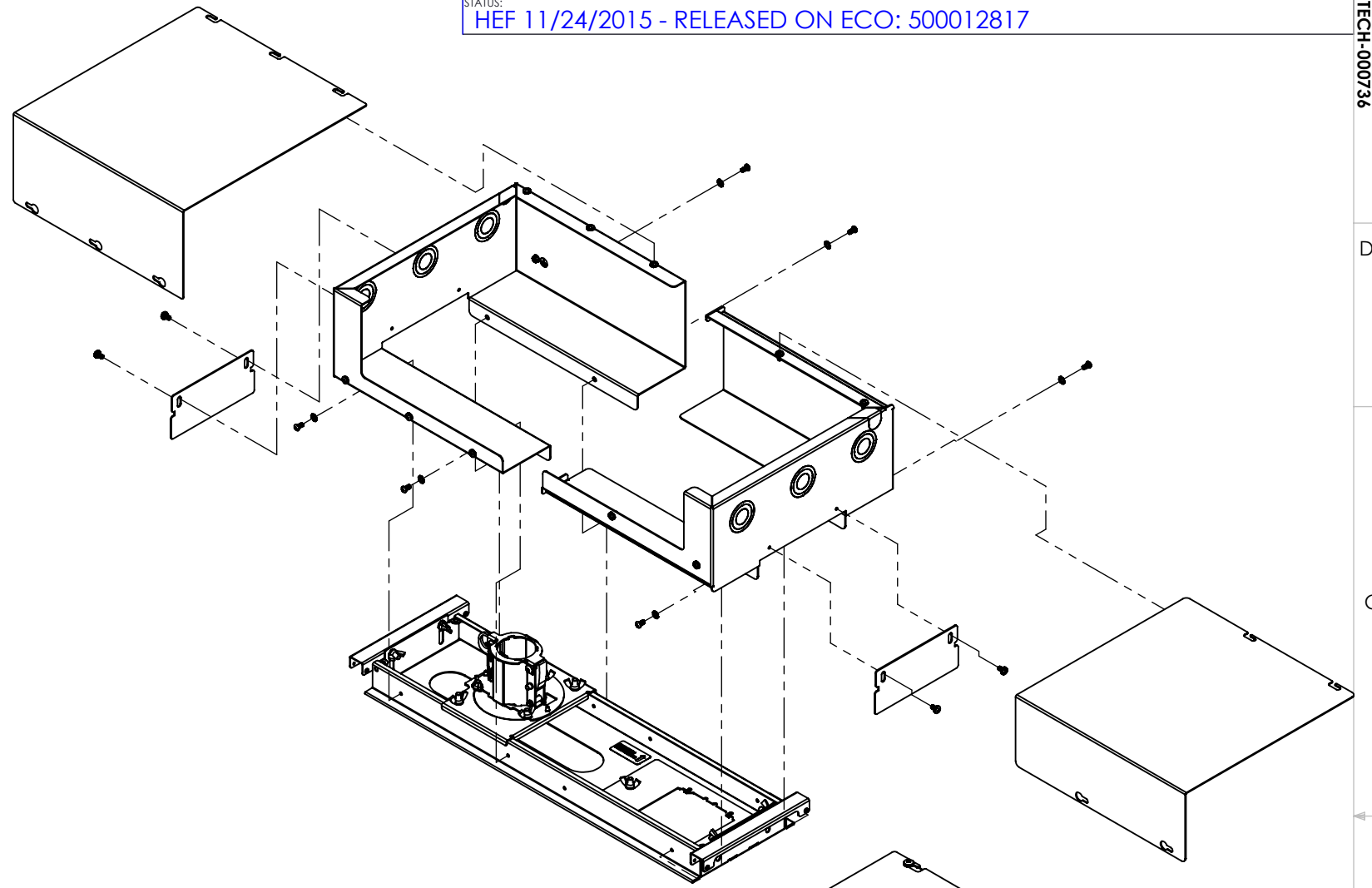
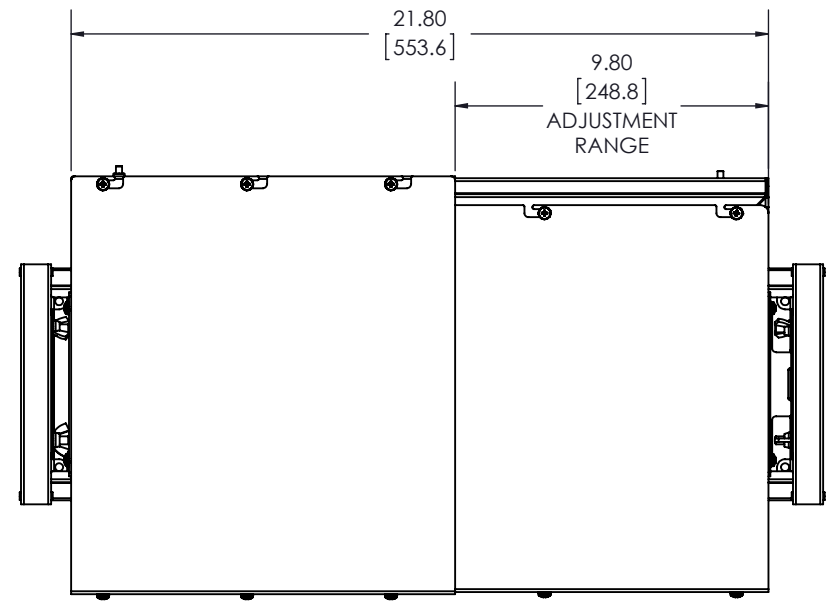


D
C
B
A



NOTE:
1. CEILING PLATE IS SHOWN FOR REFERENCE ONLY.

THE INFORMATION AND DESIGNS CONTAINED IN THIS DRAWING ARE CONFIDENTIAL AND THE PROPRIETARY PROPERTY OF MILESTONE AV TECHNOLOGIES NEITHER THIS DESIGN NOR ANY INFORMATION CONTAINED IN THIS DRAWING MAY BE REPRODUCED OR DISCLOSED TO OTHERS WITHOUT THE EXPRESS WRITTEN CONSENT OF MILESTONE AV TECHNOLOGIES.

CAD GENERATED DRAWING, DO NOT MANUALLY UPDATE.			CHIEF	6436 CITY WEST PKWY EDEN PRAIRIE MN, 55344 PHONE: 866-977-3901 FAX: 877-894-6918	
DRAWN BY	HEF	11/18/2015		DESCRIPTION	SYSAU(X) - STORAGE SYSTEM PROJ 0-12"
ENG APPROVAL			MODEL NO.		
MFG APPROVAL			SCALE	SIZE	DWG. NO.
QA APPROVAL			SHEET 1 OF 1	1:6	B TECH-000736
					REV. 00