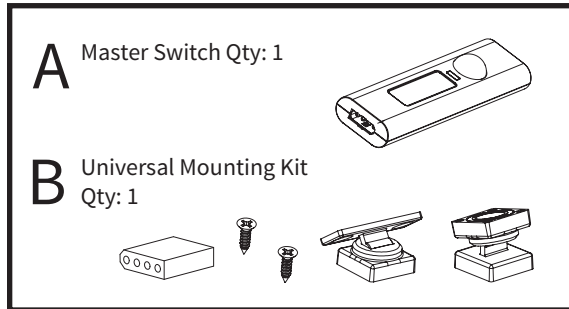


Assembly & Installation Instructions: Ciglio Under-Cabinet Light Master Switch CIG2-MS-OCC-S

Parts Included

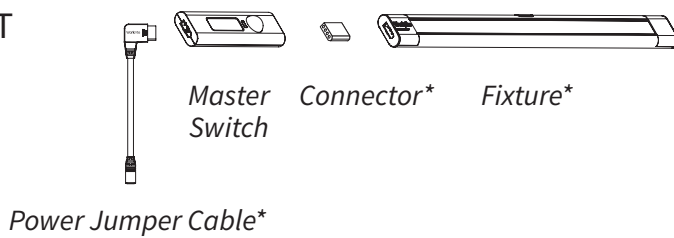


Tools Required

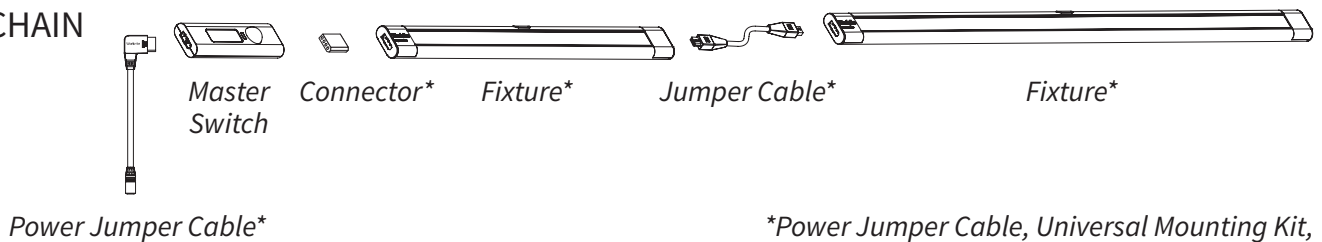
No tools are required for mounting to metal cabinets. A #2 Phillips head screwdriver is needed if installing to wood cabinets.

Note:
If installing parent unit of daisy chain, be sure to position Parent unit so that it can be connected to the Child unit with its supplied jumper cable.

PARENT



DAISY CHAIN



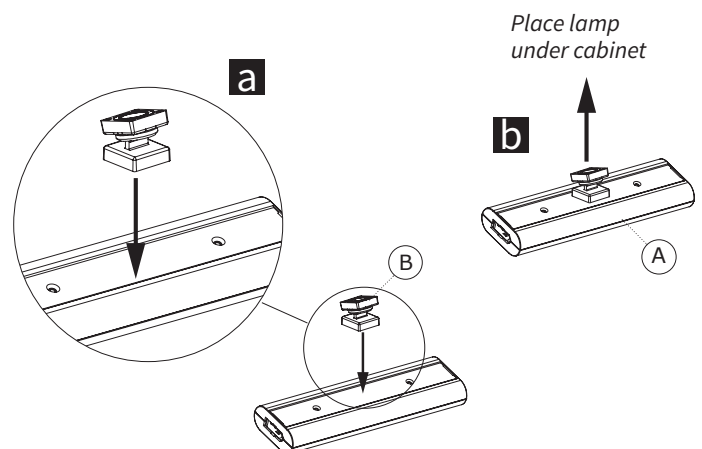
*Power Jumper Cable, Universal Mounting Kit, Jumper Cable and Fixture are not included

1 Mount to Cabinet

Determine if Master Switch will be affixed to a metal or wood cabinet and follow the appropriate step below.

Mount to **Metal** Cabinets:

- a** Place Magnetic Mounts (B) onto back of Master Switch (A)
- b** Attach Light Fixture to metal under-cabinet. Magnets will hold the fixture in place.

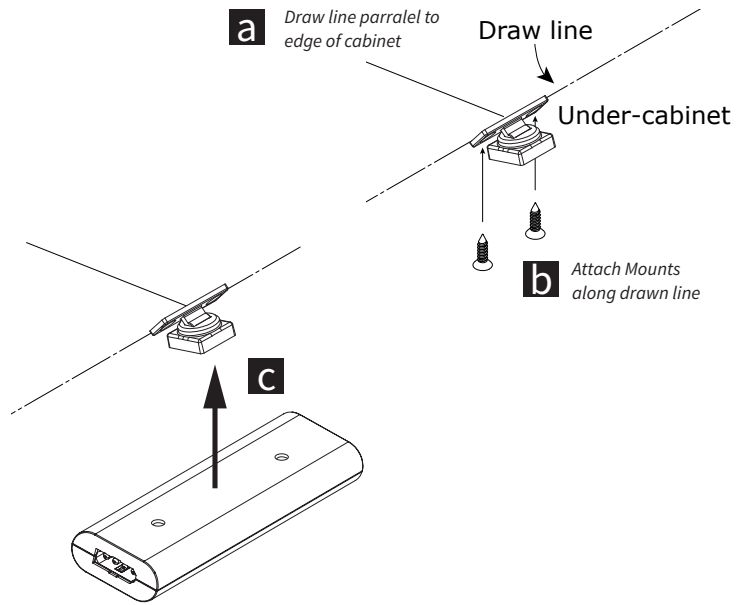


1 Continues

OR Mount to **Wood** cabinets:

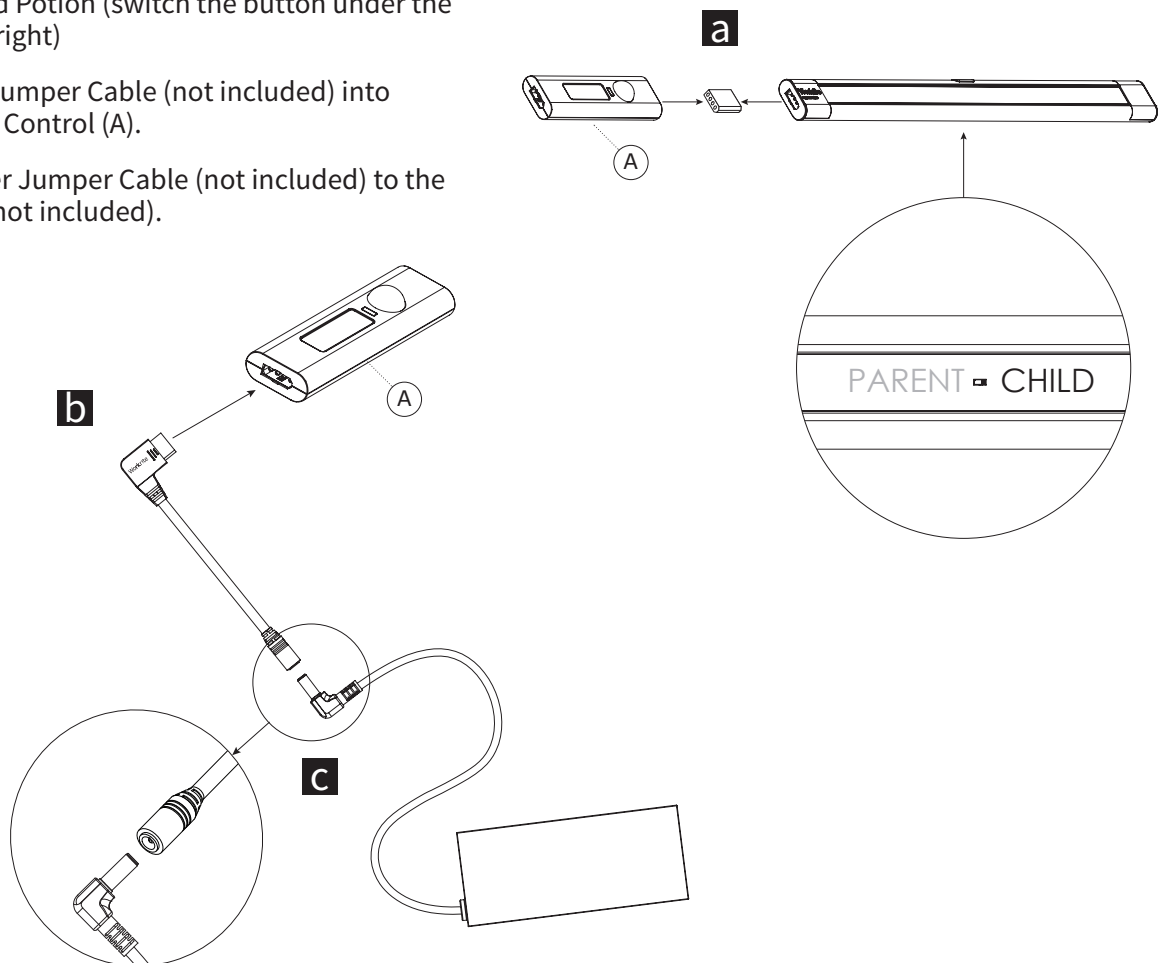
Note: You will need a #2 Phillips-head screwdriver to complete this step.

- a** Determine where you want to mount your light and draw a straight line on the underside of the cabinet to indicate the center along the length of the light.
- b** Attach the Universal Mounts (not included) along your line with Screws provided by inserting screw through magnet and then screwing into marked location.
- c** Attach Master Switch (A) onto mounts. Magnets will hold the fixture in place.

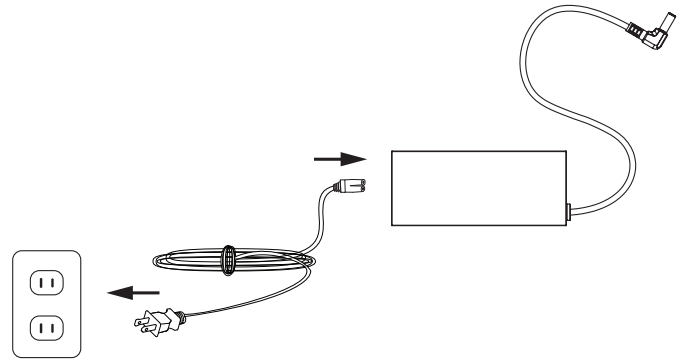


2 Attach Master Switch and Fixture to the Transformer

- a** Using the connector, attach Master Switch (A) to Fixture in Child Portion (switch the button under the Fixture to the right)
- b** Insert Power Jumper Cable (not included) into Master Switch Control (A).
- c** Connect Power Jumper Cable (not included) to the Transformer (not included).

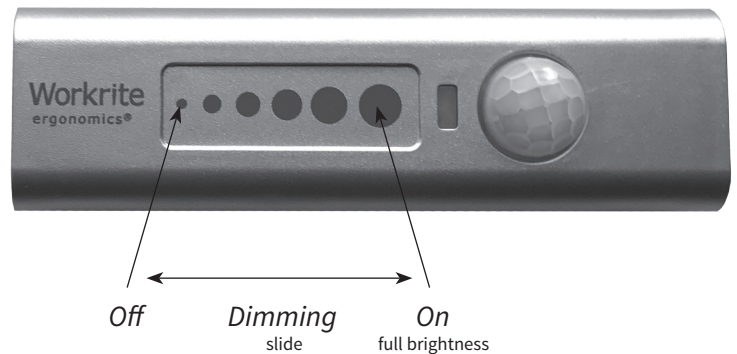


3 Plug Transformer into Wall Outlet

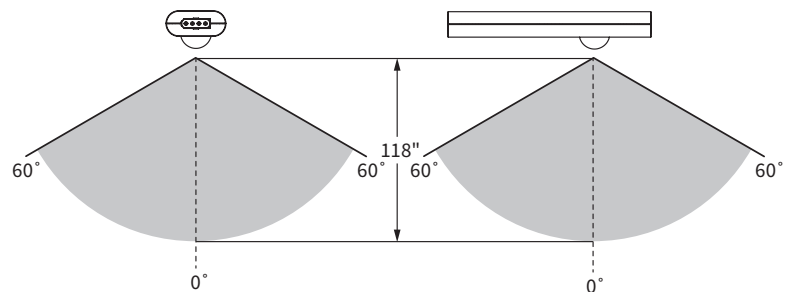
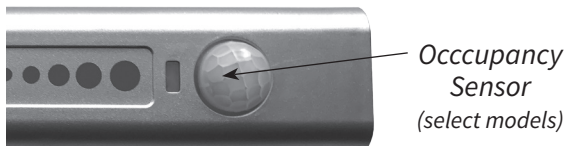


4 Test the Touch Strip Control

Use the Touch Strip to turn light on or off and to adjust brightness. To turn the light on or adjust brightness simply touch the strip and slide your finger to the desired brightness. To turn off, touch the smallest dot.



5 Occupancy Sensor Models



Note: Install fixture to ensure occupant is within sensor range as illustrated. Sensor turns light off after 15 minutes of inactivity and instantly back when activity is detected.

Occupancy sensor range and field of view

✓ Replacement parts

Universal Mounting Kit.....	CIG2-MT-IC
Power Adapter.....	CIG2-CABLE-PWR
48 W Transformer	TR-65242700-A-RF5.5
Master Switch	CIG2-MS-OCC-S
Ciglio2, 12" Molex Jumper Cable.....	CIG2-CABLE-12-B
Ciglio2, 24" Molex Jumper Cable.....	CIG2-CABLE-24-B

Warranty: Ciglio2 fixture, 5 years. Ciglio2 transformer, 3 year.