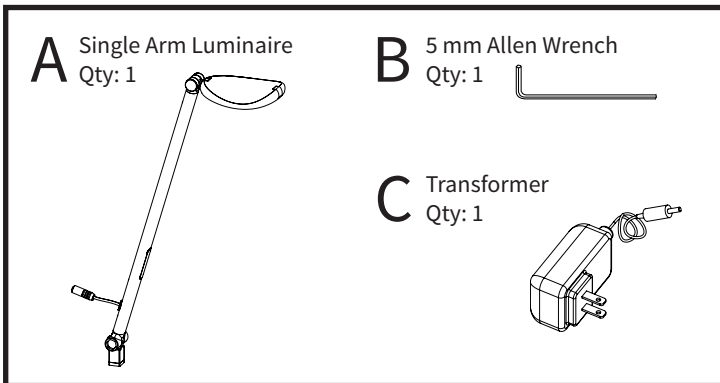


# Assembly & Installation Instructions: Astra 3 Single Arm Desk Light AST3-SA-WOB-S

## Parts Included



## Tools Required

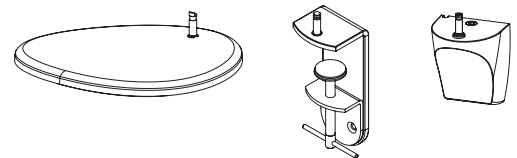
A 5 mm Allen wrench is provided to tighten the set screw lock. No other tools are required to assemble the Astra 3.

## Required, Sold Separately

Light Base

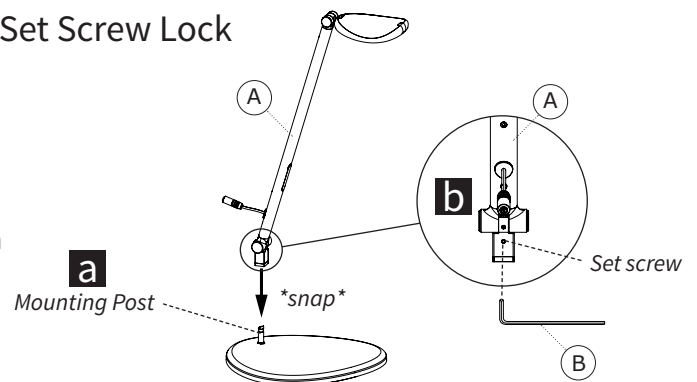
### 1 Install Light Mount/Base in desired location.

Refer to the instructions that came with your chosen mount for detailed instructions.



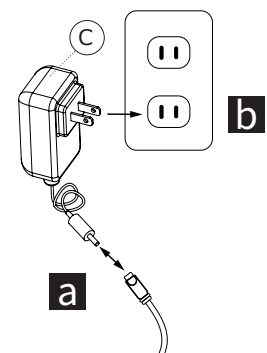
### 2 Attach Lamp to Mounting Post & Tighten Set Screw Lock

- Apply pressure until the Luminaire Arm (A) snaps onto the mounting post. Astra 3 mounts to all bases in the same fashion.
- Tighten Set Screw Lock clockwise with Allen wrench provided. The Set Screw Lock prevents the arm from being able to be removed from the base.



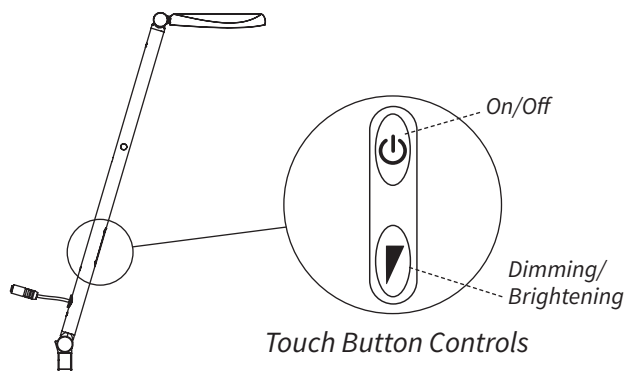
### 3 Attach to Transformer and plug into outlet

- Connect cord from Luminaire Arm (A) to the Transformer (C).
- Plug Transformer into 100–240 V wall outlet.

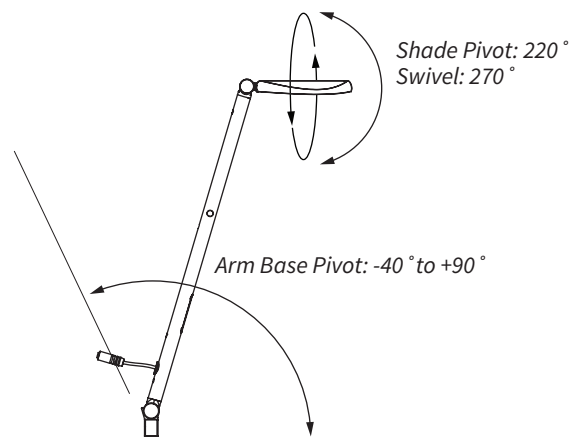


**Note!** If attaching light to adjustable height worksurface, raise worksurface to the maximum height before positioning the fixture to ensure that cord will reach the outlet when worksurface is raised.

### User Controls



### Range of Motion



**On/Off:** Press and release the On/Off button once to turn on or off. Note: The lamp will return to the same brightness setting it was before being turned off.

**Dimming:** While the lamp is on, press & hold the dimmer button. Dimming will be continuous down to 5%.

**Brightening:** While lamp is on and dimmed to less than 100% brightness, double tap the dimming/brightening button. The lamp will return to full brightness.

### Auto Shut-Off Programming

**5 Hour Timer:** Turn the lamp On. Press & hold the On/Off button for 15 seconds. The light will emit a single flash to indicate the 5 hr Auto Shut-Off has been activated, then release the button.

**10 Hour Timer:** Turn the lamp On. Press & hold the On/Off button for 20 seconds. The light will emit a double flash to indicate the 10 hr Auto Shut-Off has been activated, then release the button.

**Disable Timer:** Turn the lamp On. Press & hold the On/Off button for 30 seconds. The light will emit a triple flash to indicate the Auto Shut-Off has been deactivated, then release the button.

**NOTE!** The auto Shut-Off Programming will be overridden when an optional Occupancy Sensor is in use.

### ✓ Parts & Support

- Desk Light Table Base, Teardrop, Silver ..... LTG-TB-TD-S
- Two Piece Clamp, Silver ..... LTG-CCB-TP-S
- Tool Bar & Slatwall Mount, Silver ..... LTG-TSB-ADJ-S
- Astra 3 Occupancy Sensor, Silver ..... LTG-OCC-PVT-S
- Transformer ..... TR-12240500-A-SF3.5

Technical Support: Please call Workrite Technical Support while at the Workrite product.  
(800) 969-9675 option 2.

Warranty: Astra fixture, 5 years. Astra transformers, 3 year.