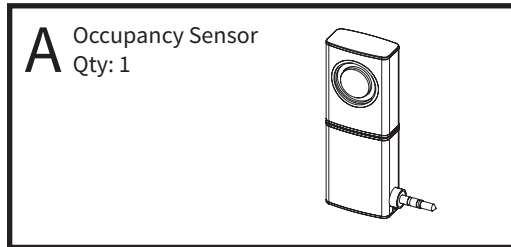


Installation Instructions: Desk Light Occupancy Sensor LTG-OCC-PVT-S

Parts



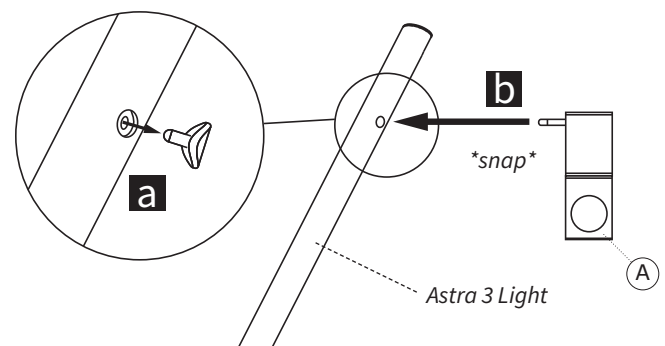
Required



No tools are required to attach the Occupancy Sensor to your Workrite Astra 3 Lights.

1 Attach Occupancy Sensor

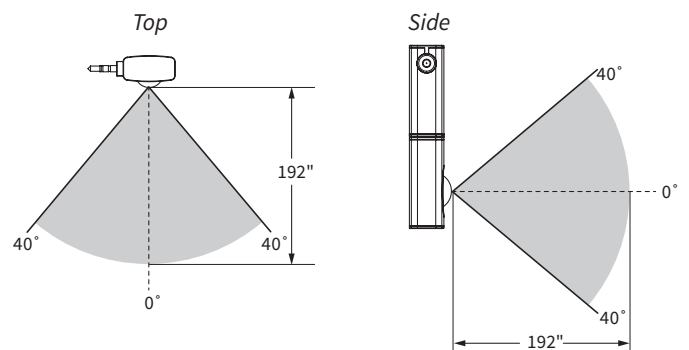
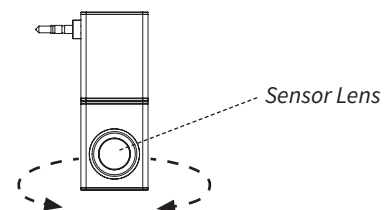
- a** Remove black plastic plug from the arm.
- b** Insert the Occupancy Sensor (A) into receptacle on arm until it snaps into place.



2 Rotate Sensor Lens to the Primary Usage Area

The sensor will detect heat and motion with in the corresponding area as shown in the illustration to the right.

If no motion is detected for 15 minutes, the light will automatically turn off until activity is returned to the area.



Sensor Range and Field of View