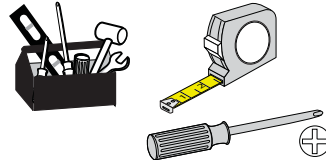
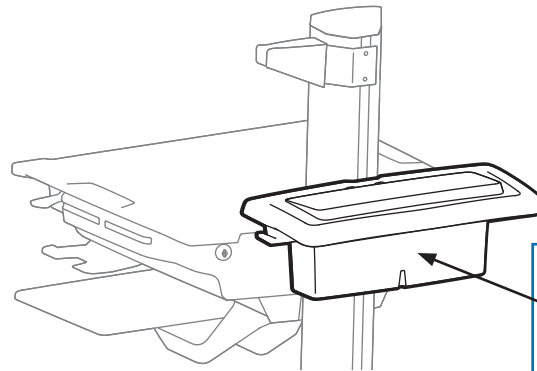


www.ergotron.com
 USA 1-800-888-8458
 Europe +31 (0)33-45 45 600
 China 86-769-86018920

ASSEMBLY INSTRUCTIONS
 Instrucciones de instalación
 Notice d'assemblage
 Montageanleitungen
 Installatie instructies
 Manuali d'Istruzione
 取扱説明書
 安装说明

		A
1	1x	
2	1x	
3	2x	M3.5 x 6mm



WARNING! TIPPING HAZARD. Max weight capacity: 5 lbs (2.27 kg). DO NOT exceed 5 lbs (2.27 kg). Failure to follow this warning may result in an unstable situation that may cause equipment damage and/or personal injury

ADVERTENCIA ¡PELIGRO DE VUELO! Capacidad máxima de soporte de peso: 2,27 kg (5 lb). NO supere los 2,27 kg (5 lb). La no observancia de esta advertencia puede producir una situación de inestabilidad que podría causar daños materiales y lesiones físicas.

AVERTISSEMENT ! RISQUE DE BASCULEMENT. Capacité de poids maximum : 2,27 kg NE PAS excéder 2,27 kg. Risque d'endommagement de l'équipement et/ou de blessure corporelle en cas de non-respect de cet avertissement

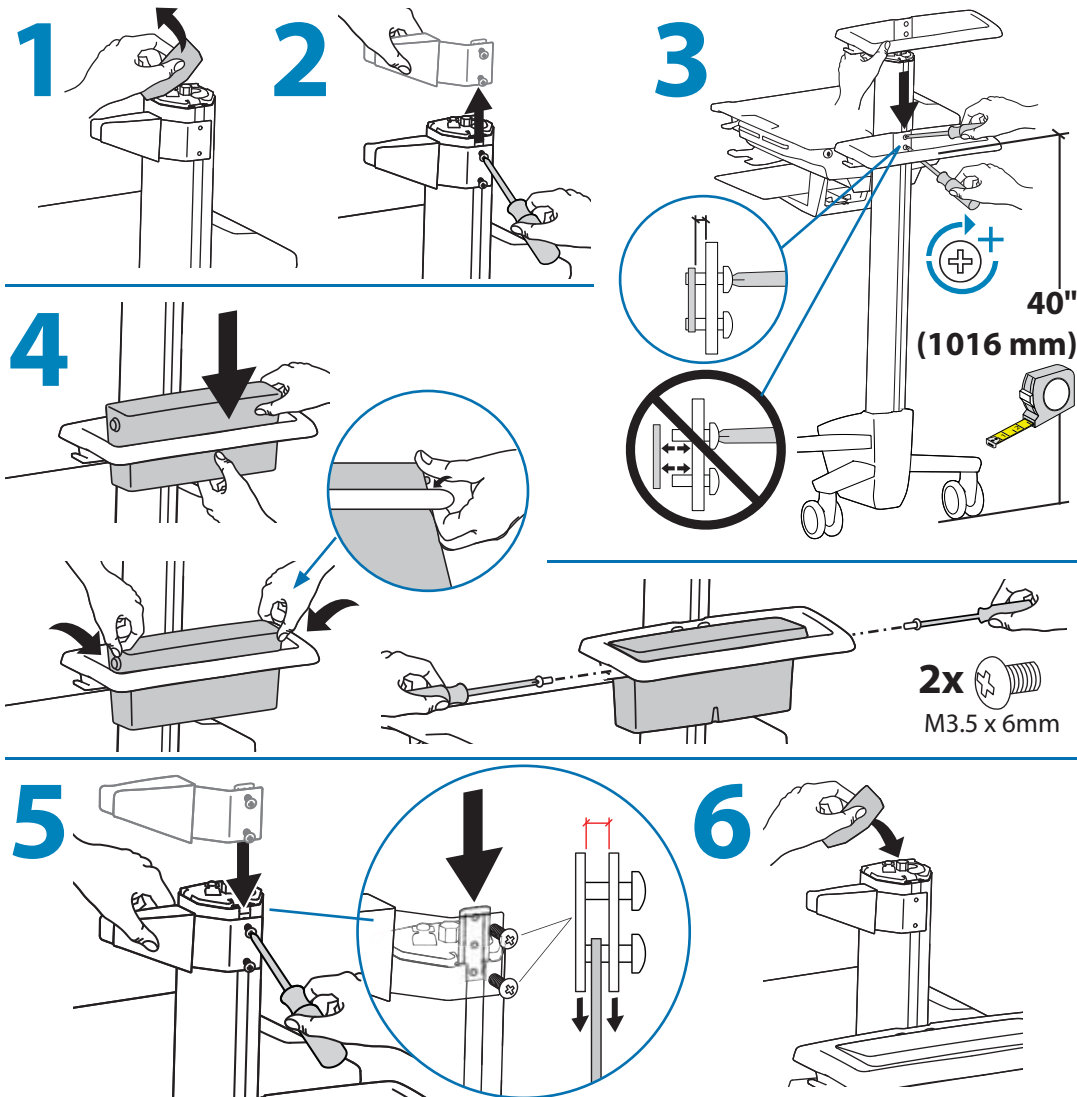
WARNING! KIPPGEFAHR. Max. Tragkraft: 2,27 kg. 2,27 kg nicht überschreiten. Die Nichtbeachtung dieser Warnung kann eine instabile Situation verursachen, die zu Schäden an der Ausrüstung oder Körperverletzung führen könnte.

WAARSCHUWING OMKANTELGEVAAR. Max. gewichtscapaciteit: 2,27 kg. Overschrijd de 2,27 kg NIET. Nalaten deze waarschuwing in acht te nemen kan tot een onstabiele situatie leiden die apparatuurbeschadiging en/of persoonlijke verwonding tot gevolg kan hebben

AVVERTENZA. PERICOLO DI RIBALTAMENTO. Portata: 2,27 kg. NON superarla. La mancata osservanza di questa avvertenza può causare una situazione di instabilità e quindi danni all'apparecchiatura e/o infortuni.

警告！転倒の危険があります。最大重量：[^] 2.27 kg (5ポンド)。この重量を超えないでください。この重量を超えると、不安定な状態になり、機器に損傷を与えたり、けがを招いたりする可能性があります。

警告！傾覆危険。最大可承重量：2.27 千克（5 磅）。不要超过 2.27 千克（5 磅）。不遵守此项警告指示可能会使手推车失去平衡，而可能导致设备损坏和/或人身伤害！



© 2011 Ergotron, Inc. All rights reserved.

While Ergotron, Inc. makes every effort to provide accurate and complete information on the installation and use of its products, it will not be held liable for any editorial errors or omissions (including those made in the process of translation from English to another language), or for incidental, special or consequential damages of any nature resulting from furnishing this instruction and performance of equipment in connection with this instruction. Ergotron, Inc. reserves the right to make changes in the product design and/or product documentation without notification to its users. For the most current product information, or to know if this document is available in languages other than those herein, please contact Ergotron. No part of this publication may be reproduced, stored in a retrieval system, or transmitted in any form or by any means, electronic, mechanical, photocopying, recording or otherwise without the prior written consent of Ergotron, Inc., 1181 Trapp Road, Eagan, Minnesota, 55121, USA Patents Pending and Patented U.S. & Foreign. Ergotron is a registered trademark of Ergotron, Inc.

Americas Sales and Corporate Headquarters EMEA Sales
 St. Paul, MN USA Amersfoort, The Netherlands
 (800) 888-8458 +31 33 45 45 600
 +1-651-681-7600 www.ergotron.com
 www.ergotron.com info.eu@ergotron.com
 sales@ergotron.com
APAC Sales **Worldwide OEM Sales**
 Tokyo, Japan www.ergotron.com
 www.ergotron.com info.oem@ergotron.com
 apaccustomerservice@ergotron.com