



ASCENT
SIT-STAND DESKS



ASCENT

SIT-STAND DESK SERIES

As "sit-stand" becomes a buzzword throughout today's workplaces, employers need to find a way to effectively respond to employee requests for height adjustable solutions.

All too often in today's sea of sit-stand desk options, it can be difficult to understand what you actually need. At ISE, we imagined a line of simple, quick, and cost-effective sit-stand desks that would appeal to a wide range of customers – from savvy startups to practical small business owners. The new Ascent series was specifically designed to be streamlined in every way. From ordering to shipping & receiving to installation & operation.



The complete assembly is shipped in one box with easy to assemble components.

With the Ascent series we have consolidated options, simplified feature sets, and optimized our manufacturing process to remove all unnecessary costs and provide the best value possible... all while maintaining the highest standard of quality.

WORKSURFACE OPTIONS

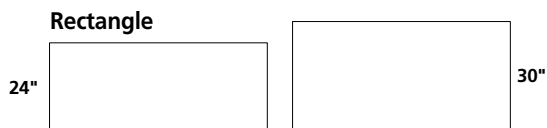
No desk is complete without a worksurface. ISE's laminated worksurfaces feature a wide variety of popular WilsonArt high pressure decorative laminates and coordinated edge bands. All laminate options are chosen for their aesthetic quality and to provide an outstanding writing surface free from bumps and ridges.

All laminates are SCS certified for recycled content, and indoor air quality certified to UL GREENGUARD Gold Certification. Adhesives are solvent-free and created with water-based PVA (poly vinyl acetate).

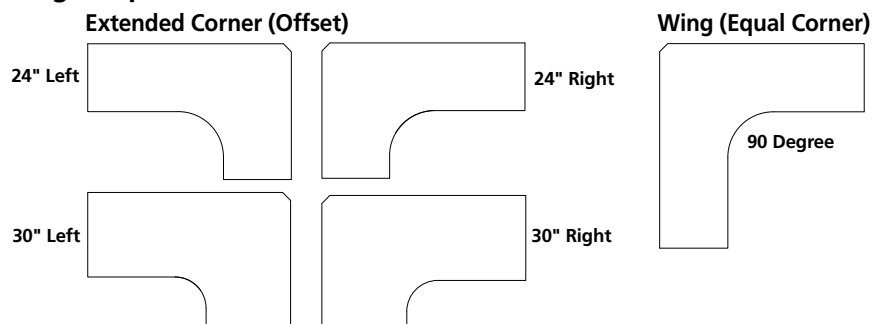
Our broad selection of worksurface shapes and sizes allow you to create the perfect sit-stand desk for any office environment.

Refer to ISE catalog for pricing, size, and color options.

2 Leg Shapes



3 Leg Shapes



USER CONTROLS



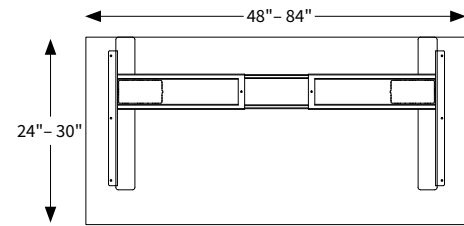
Our easy to use handset comes with simple push button up/down controls and three digit readout. It can be programmed with four unique height settings allowing the desk to be shared by multiple users or providing single users with more options for changing position throughout the day. The three-digit height read out helps the user find the right height down to a tenth of an inch.

ASCENT 2 STAGE SIT-STAND DESK

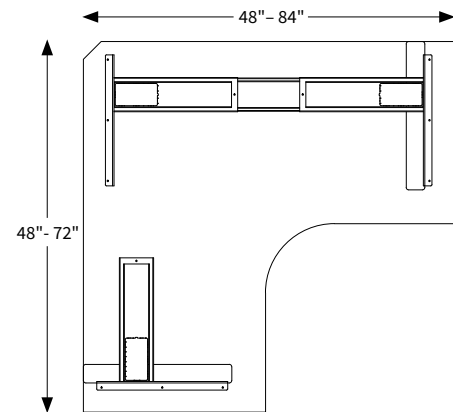
The perfect sit-to-stand solution for any start-up company or organization on a tight furniture budget. The ASCENT 2 STAGE delivers the essentials of what a sit-to-stand desk should provide. With a seated height of just over 27" to a standing height of just over 46" (with most industry standard worksurfaces), it addresses the ergonomic needs of most North American users. A programmable switch with 4 memory presets enables convenient, intuitive operation. The base is compatible with rectangular worksurfaces ranging from 48" to 84" wide and up to 84" corner units using the 2 or 3 leg frameset options (respectively). The Ascent base is delivered in a single box, with easy to assemble components so installation costs are minimized.

Series Features:

- **Height Range:** 26.3" to 45.3" (not including worksurface thickness)
- **Total Travel Distance:** 19"
- **Switch:** Digital Readout w/ 4 programmable settings
- **Frameset Style:** "C-style" side rails & low-profile feet provide mobile pedestal compatibility
- **Travel Speed:** 1.2"/second
- **Standby Power:** $\leq 0.1W$
- **Available Finishes:** Silver
- **Certifications:** ANSI BIFMA x5.5, TÜV Rheinland Certified
- **Warranty:** 5 years on all components
- **Collision Detection:** Software based anti-collision function automatically stops table to prevent damages

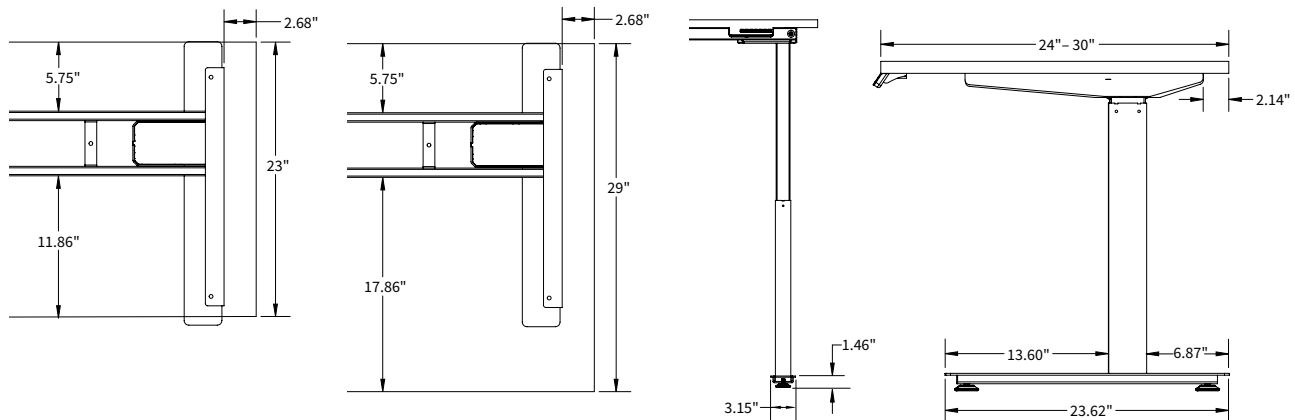


2-Leg



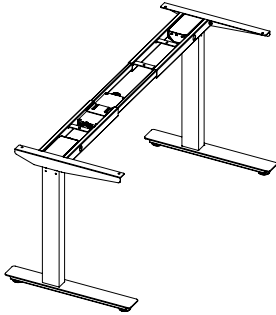
3-Leg

DIMENSIONS



ASCENT 2 Stage Base

2-Leg Shapes

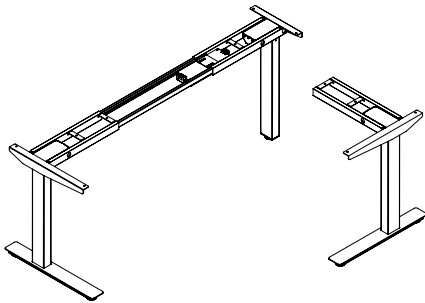


- Lifting Capacity: 220 lb. (including worksurface & all equipment)
- Compatible Worksurface Shapes: Rectangular worksurfaces
- Compatible Worksurface Sizes: Adjustable frameset for 48" – 84" wide worksurfaces

Model #	US \$ List	CAN \$ List	Quick Ship
SB-ASC2-2-23-SM-DRMS	\$999	\$1,280	●

ASCENT 2 Stage Base

3-Leg Shapes



- Lifting Capacity: 280 lb. (including worksurface & all equipment)
- Compatible Worksurface Shapes: Equal corner & offset corner worksurfaces
- Compatible Worksurface Sizes: Adjustable frameset for 48" – 84" wide worksurfaces with 42" – 72" wide returns

Model #	US \$ List	CAN \$ List	Quick Ship
SB-ASC2-3-23-SM-DRMS	\$1,499	\$1,922	●





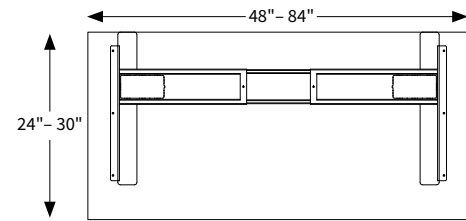


ASCENT 3 STAGE SIT-STAND DESK

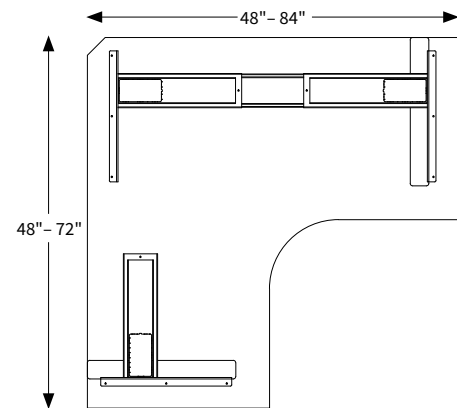
The sit-to-stand solution for virtually anyone. The ASCENT 3 STAGE delivers better ergonomics through greater range of adjustability. With over 25" of height adjustment, users can be seated at a starting height of just under 24" and a standing height of over 49" (with most industry standard worksurfaces). Our programmable switch with 4 memory presets provides convenient, intuitive operation. The base is compatible with rectangular worksurfaces ranging from 48" to 84" wide and up to 84" corner units using the 2 or 3 leg frameset options (respectively). The Ascent base is delivered in one box with easy to assemble components so installation costs are minimized.

Series Features:

- **Height Range:** 22.8" to 48.3" (not including worksurface thickness)
- **Total Travel Distance:** 25.5"
- **Switch:** Digital Readout w/ 4 programmable settings
- **Frameset Style:** "C-style" side rails & low-profile feet provide mobile pedestal compatibility
- **Travel Speed:** 1.4"/second
- **Standby Power:** $\leq 0.1W$
- **Available Finishes:** Silver
- **Certifications:** ANSI BIFMA x5.5, TÜV Rheinland Certified
- **Warranty:** 5 years on all components

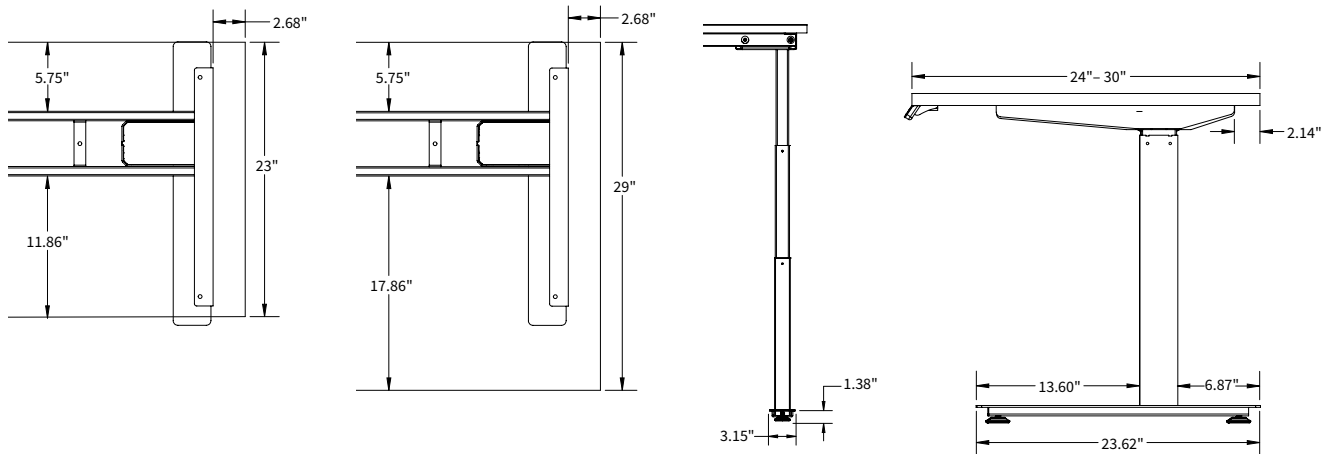


2-Leg



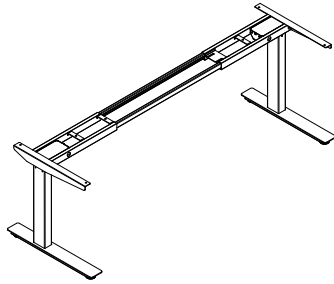
3-Leg

DIMENSIONS



ASCENT 3 Stage Base

2-Leg Shapes

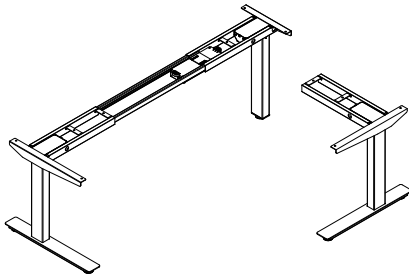


- Lifting Capacity: 250 lb. (including worksurface & all equipment)
- Compatible Worksurface Shapes: Equal corner & offset corner worksurfaces
- Compatible Worksurface Sizes: Adjustable frameset for 48" – 84" wide worksurfaces with 42"-72" wide returns

Model #	US \$ List	CAN \$ List	Quick Ship
SB-ASC3-2-23-SM-DRMS	\$1,175	\$1,506	●

ASCENT 3 Stage Base

3-Leg Shapes



- Lifting Capacity: 320 lb. (including worksurface & all equipment)
- Compatible Worksurface Shapes: Equal corner & offset corner worksurfaces
- Compatible Worksurface Sizes: Adjustable frameset for 48" – 84" wide worksurfaces with 42"-72" wide returns

Model #	US \$ List	CAN \$ List	Quick Ship
SB-ASC3-3-23-SM-DRMS	\$1,750	\$2,244	●



ASCENT ACCESSORIES

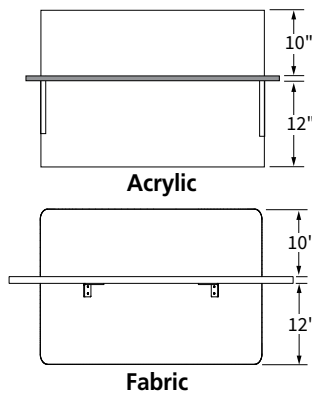
Accessorize your Ascent table to build a comprehensive personalized workspace. Fabric Privacy/Modesty Panels easily mount to the rear edge of the Ascent worksurface to minimize visual distractions as they stretch from 12" below to 10" above the worksurface.

Centralize user storage and organization with the Cushioned Mobile Pedestal which feature two drawers, one box and one file. Mobile Pedestals can be conveniently positioned over Ascent's flat foot profile to reduce the space typically required for other storage solutions.

Both the Fabric Privacy/Modesty Panels as well of cushions on the Mobile Pedestals are available in 18 fabric color options to seamlessly blend into your office aesthetic or provide a vibrant pop of color.

Privacy & Modesty Accessories

Individual Privacy & Modesty Panel



- Attached to each worksurface to provide privacy and modesty at any height
- Privacy extends 10" above the worksurface
- Modesty extends 12" below the worksurface
- Panels are 14" smaller than worksurface nominal width
- Two types of screens are available:
 - 1/4" white frosted acrylic
 - 7/8" wood structural core with fabric-wrapped tackable panels on each face
- Mounting brackets are silver powdercoat paint
- Fabric panels are available in select colors below
- Specify one per User

Screen Length	Worksurface Width	Model #	Color	US \$ List	CAN \$ List
Acrylic					
34"	48"	SM-ACR-34-SM		\$305	\$391
46"	60"	SM-ACR-46-SM		\$345	\$442
58"	72"	SM-ACR-58-SM		\$440	\$564
Tackable Fabric					
34"	48"	SM-FAB-34-SM-XXX		\$345	\$442
46"	60"	SM-FAB-46-SM-XXX		\$405	\$519
58"	72"	SM-FAB-58-SM-XXX		\$460	\$590

For Fabric panels specify three digit fabric part number (e.g. **MRA**) from Fabric Finishes Guide below

Storage & Organization Accessories

Cushioned Mobile Pedestal



- Box/File with 11/2" cushion available in select colors below
- Lockable
- Recessed door pulls with satin nickel pull handles
- Two locking and two non-locking casters
- Metal construction in black or silver powdercoat finish
- 23"H x 187/8"D x 151/4" W

Model #	Color	US \$ List	CAN \$ List
ST-MCP-BF-XX-XXX		\$800	\$1026

Specify Pedestal color:
 Black- **BK**
 Silver- **SM**
 and three digit fabric part number (e.g. **ICP**) from Fabric Finishes Guide below

Fabric Finishes Guide







Workrite Ergonomics Canada, Inc.
950 Warden Avenue
Toronto, Ontario M1L 4E3
Phone 800.463.7731
www.ise-group.com

© 2017 Workrite Ergonomics Canada
All rights reserved.

1400540 Rev B