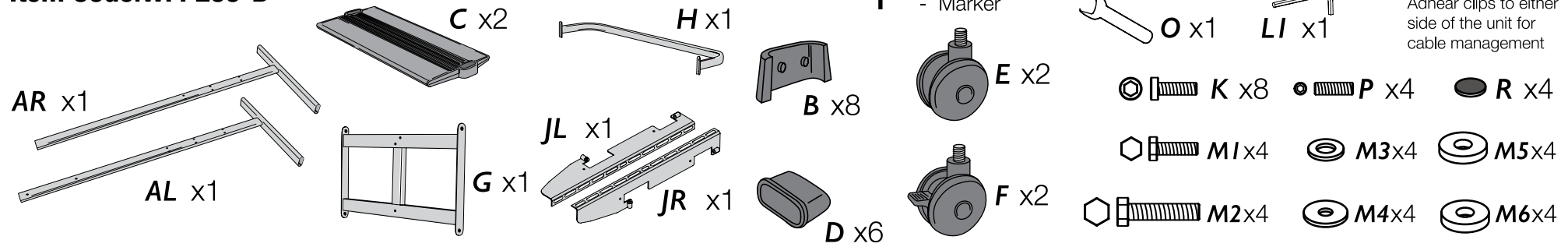


2 Shelf LCD TV Stand (UP TO 80")

Instructions

Item Code:WFP200-B

Parts List

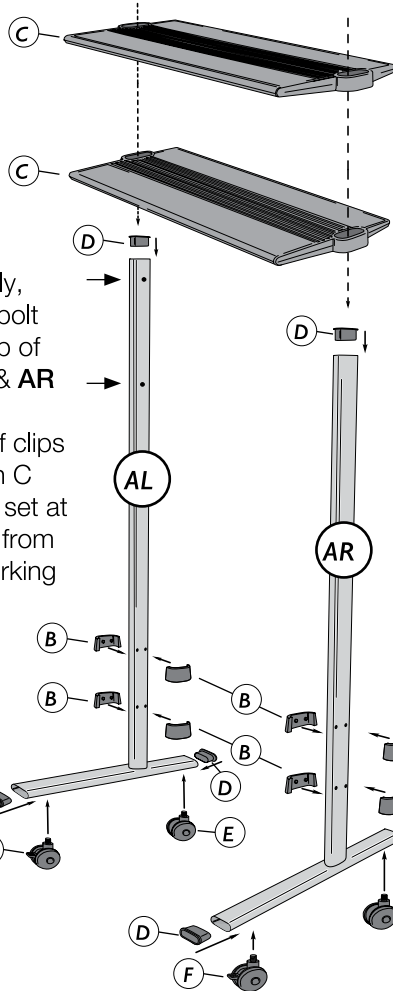


Tools Required

- Wrench
- Marker

Adhears clips to either side of the unit for cable management

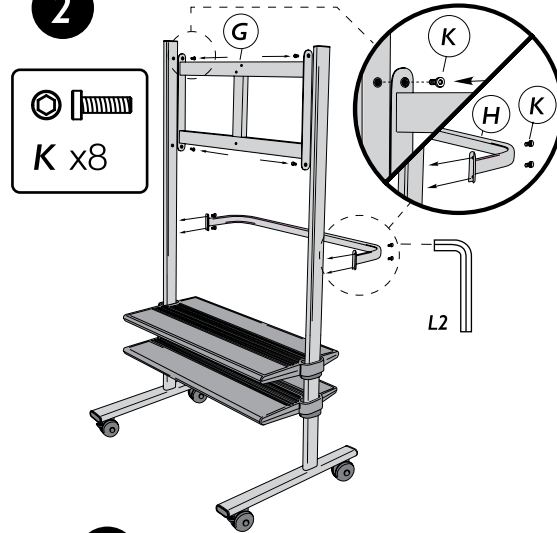
1



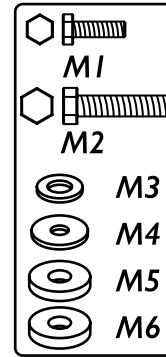
NOTICE:

Before assembly, make sure the bolt holes on the top of the frames **AL** & **AR** are facing each other. Put shelf clips **B**, and put both **C** shelves on one set at a time, starting from the bottom, working your way up.

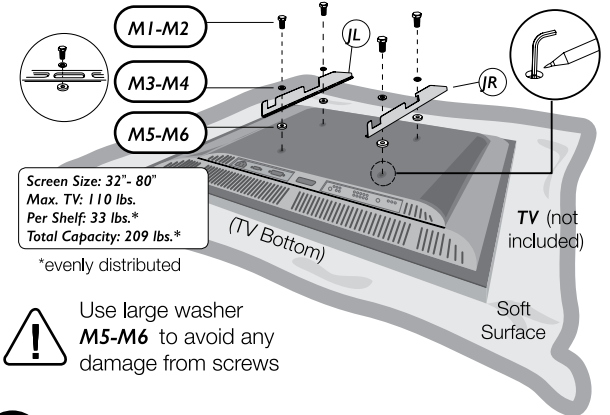
2



4



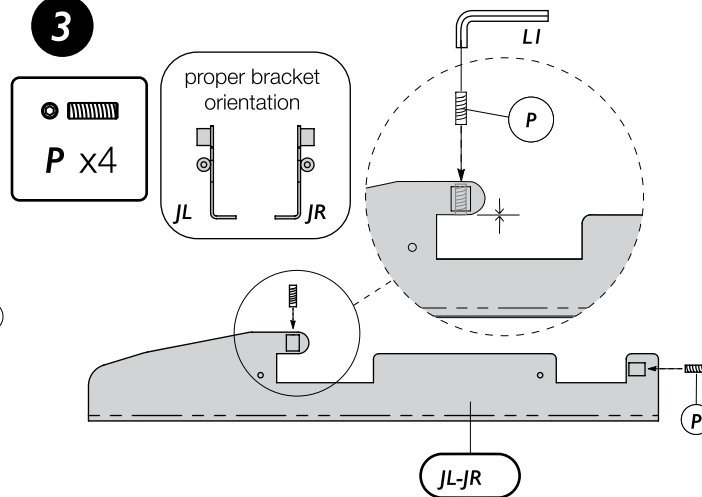
Place hex key wrench **L1/L2** into the hole and mark your bolt length.



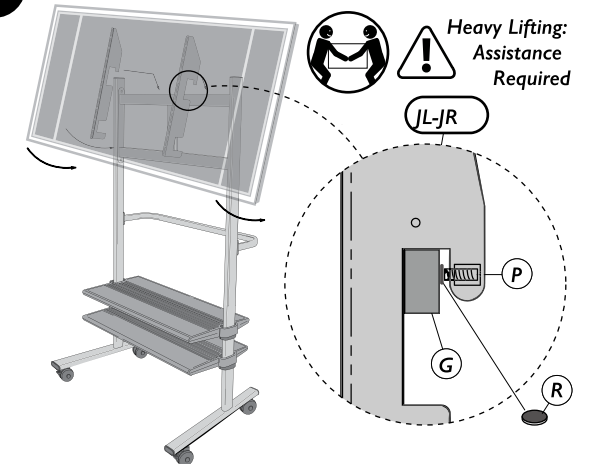
Screen Size: 32" - 80"
Max. TV: 110 lbs.
Per Shelf: 33 lbs.*
Total Capacity: 209 lbs.*
*evenly distributed

Use large washer **M5-M6** to avoid any damage from screws

3



5



Heavy Lifting: Assistance Required