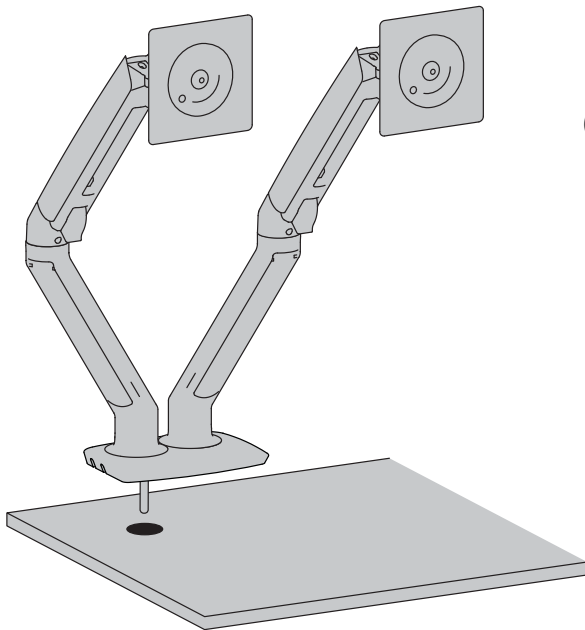
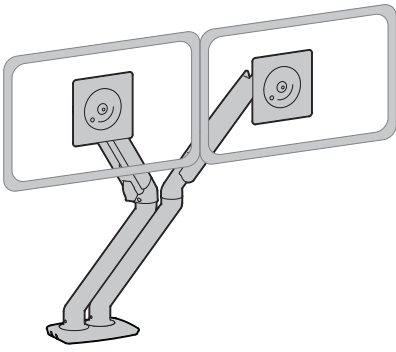
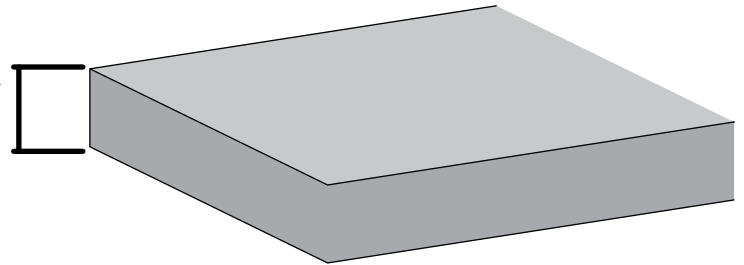


MXV Grommet Hole Mount for MXV Dual Monitor Arm



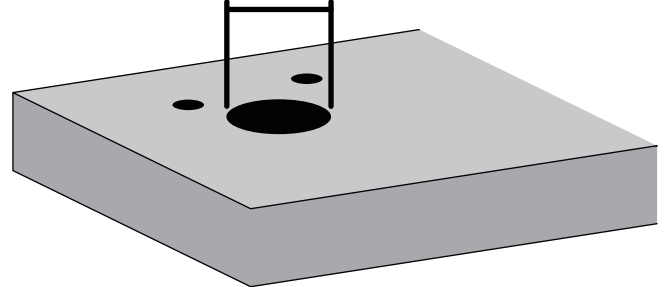
Desk Thickness

$\leq 1.3"$
(32 mm)



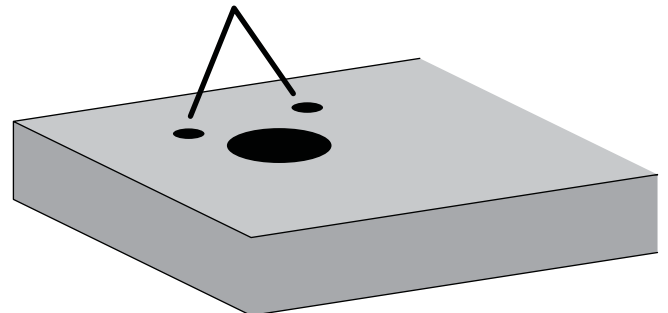
Center Grommet Hole

$\text{Ø } 5/16" - 1.25"$
(8-31 mm)



Two anti rotation holes

$\text{Ø } 5/16" (8 \text{ mm})$



© 2017 Ergotron, Inc. rev. 05/04/2017 DIM-MXVGrommetDual Content is subject to change without notification

**Americas Sales and
Corporate Headquarters**

St. Paul, MN USA
(800) 888-8458
+1-651-681-7600
www.ergotron.com
sales@ergotron.com

EMEA Sales

Amersfoort, The Netherlands
+31 33 45 45 600
www.ergotron.com
info.eu@ergotron.com

APAC Sales

Tokyo, Japan
www.ergotron.com
apaccustomerservice@ergotron.com

Worldwide OEM Sales

www.ergotron.com
info.oem@ergotron.com

ERGOTRON®