

Anthro Steve's Station™ SideRack-Outboard

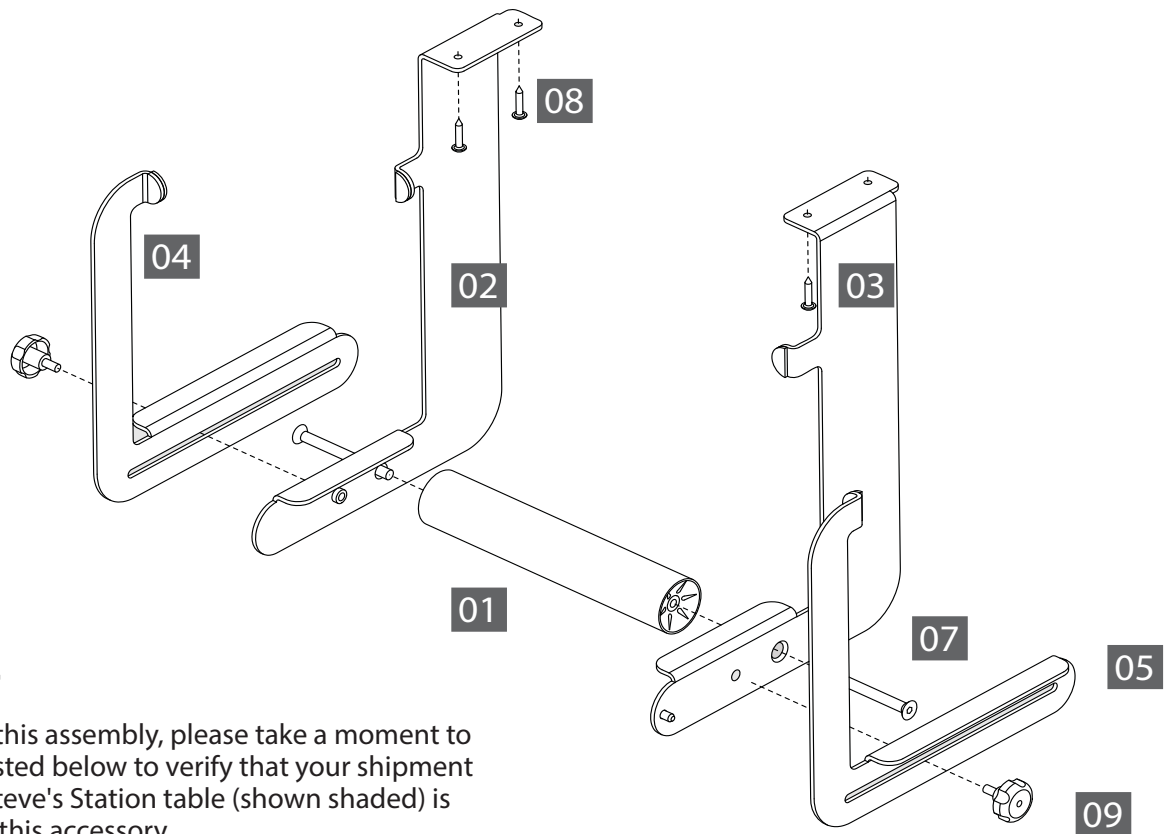


www.ergotron.com



USA 1-800-325-3841

For the latest User Installation Guide please visit: www.ergotron.com



PARTS LIST

Before beginning this assembly, please take a moment to review the parts listed below to verify that your shipment is complete. The Steve's Station table (shown shaded) is not included with this accessory.

| Product | Quantity | Part Number |
|--------------------------------|----------|-------------|
| 01 Cross Tube | 1 | 125-4192-00 |
| 02 Inside Arm (X) | 1 | 225-4397-00 |
| 03 Inside Arm (Y) | 1 | 225-4398-00 |
| 04 Outside Arm (X) | 1 | 225-2454-00 |
| 05 Outside Arm (Y) | 1 | 225-2455-00 |
| 06 Non-skid Pad (not shown) | 4 | 175-5148-00 |
| 07 3-1/2" Tube Bolt | 2 | 325-5000-00 |
| 08 1" MDF Wood Screw | 4 | 325-5580-00 |
| 09 Knob | 2 | 325-5213-00 |

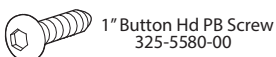
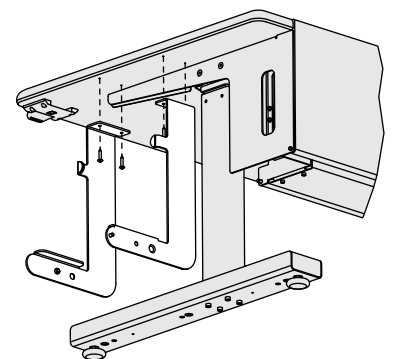
TOOLS

The Anthro 5/32" hex driver, provided with your Steve's Station table, is required for this installation.

STEP 1

Install the Inside Arms

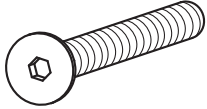
- Your Steve's Station SideRack-Outboard can be installed on the left or the right. Choose the side.
- Locate the set of four installation holes on each side of the table, next to the leg. One at a time, align the Inside Arms with the holes on the table. The tabs on the top of each arm should bend toward each other when installed. Attach each arm to the table with two 1" MDF Wood Screws using the Anthro driver.



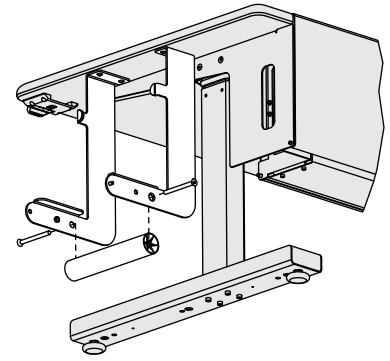
STEP 2

Install the Cross Tube

- Align the Cross Tube with the Inside Arms. Loosely attach using two 3-1/2" Tube Bolts. Check that the SideRack is level, then tighten the screws.
- Tighten the screws that attach the SideRack to the top and to the side gussets.



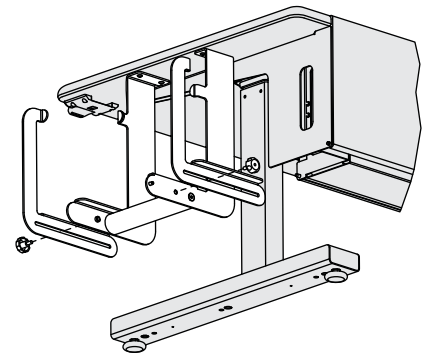
3-1/2" Bolt
325-5000-00



STEP 3

Adjust the Outside Arms

- Align Outside Arm X with Inside Arm X, inserting the Pin on the Inside Arm through the Slot on the Outside Arm.
- Align the Slot with the threaded hole and carefully thread the Knob into the hole.
- Repeat for Inside and Outside Arm Y.



STEP 4

Install the Adhesive Pads & Adjust your SideRack

- Install the four Adhesive Pads onto the tabs on the Arms.
- To adjust your SideRack, loosen the knobs and slide the Outside Bracket to fit your CPU.
- Place your CPU into the SideRack, slide the brackets back in, and tighten the Knobs.

CONGRATULATIONS! YOUR SIDERACK-OUTBOARD ASSEMBLY IS COMPLETE!

For Warranty visit: www.ergotron.com/warranty

For Service visit: www.ergotron.com

For local customer care phone numbers visit: <http://contact.ergotron.com>

Americas Sales and Corporate Headquarters

1181 Trapp Rd.
St. Paul, MN USA
1-800-325-3841
www.ergotron.com
sales@ergotron.com

ERGOTRON®



While Ergotron, Inc. makes every effort to provide accurate and complete information on the installation and use of its products, it will not be held liable for any editorial errors or omissions (including those made in the process of translation from English to another language), or for incidental, special or consequential damages of any nature resulting from furnishing this instruction and performance of equipment in connection with this instruction. Ergotron, Inc. reserves the right to make changes in the product design and/or product documentation without notification to its users. For the most current product information, or to know if this document is available in languages other than those herein, please contact Ergotron. No part of this publication may be reproduced, stored in a retrieval system, or transmitted in any form or by any means, electronic, mechanical, photocopying, recording or otherwise without the prior written consent of Ergotron, Inc., 1181 Trapp Road, Eagan, Minnesota, 55121, USA. Patents Pending and Patented U.S. & Foreign. Ergotron is a registered trademark of Ergotron, Inc.

© 2016 Ergotron, Inc. All rights reserved.

All trademarks are the property of their respective companies. Anthro is a registered trademark and brand of Ergotron Inc. Anthro-DNA is a trademark of Ergotron Inc., Ergotron Inc.