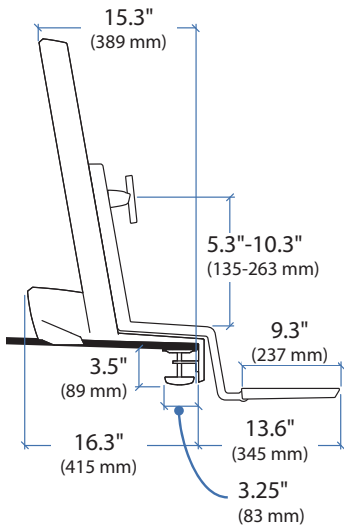
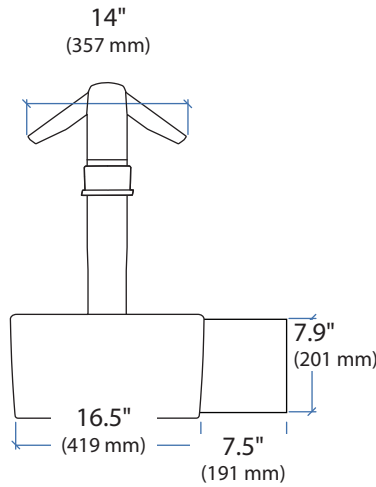


WorkFit-S, Single LCD Mount, LD

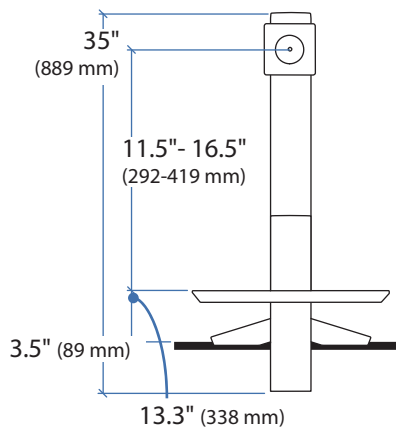
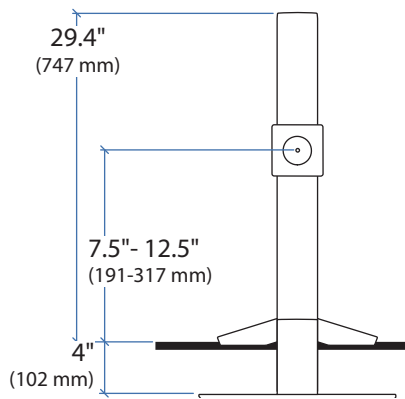
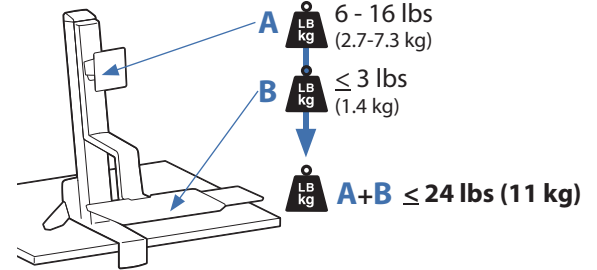


Lowest Position

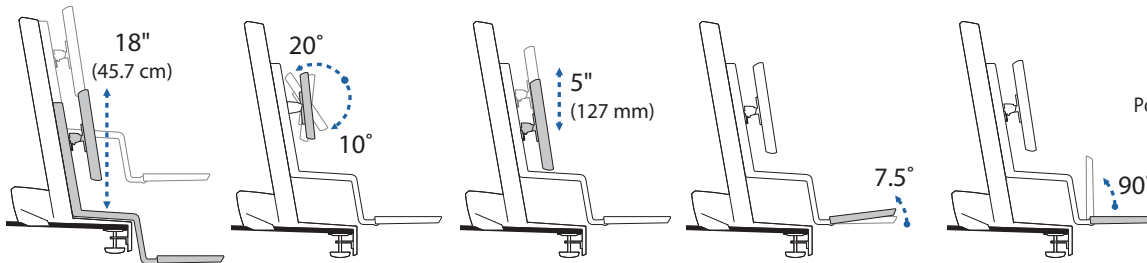
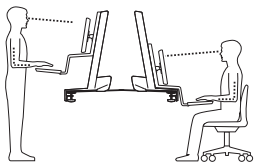
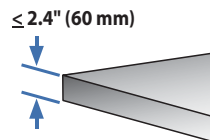


Highest Position

Weight Capacity:



Desk Thickness:



Portrait/Landscape rotation stop screw can be installed for 0° rotation.



© 2014 Ergotron, Inc. rev. 06/25/2014 DIM-WorkFit-S Content is subject to change without notification

Americas Sales and Corporate Headquarters

St. Paul, MN USA
 (800) 888-8458
 +1-651-681-7600
 www.ergotron.com
 sales@ergotron.com

EMEA Sales

Amersfoort, The Netherlands
 +31 33 45 45 600
 www.ergotron.com
 info.eu@ergotron.com

APAC Sale

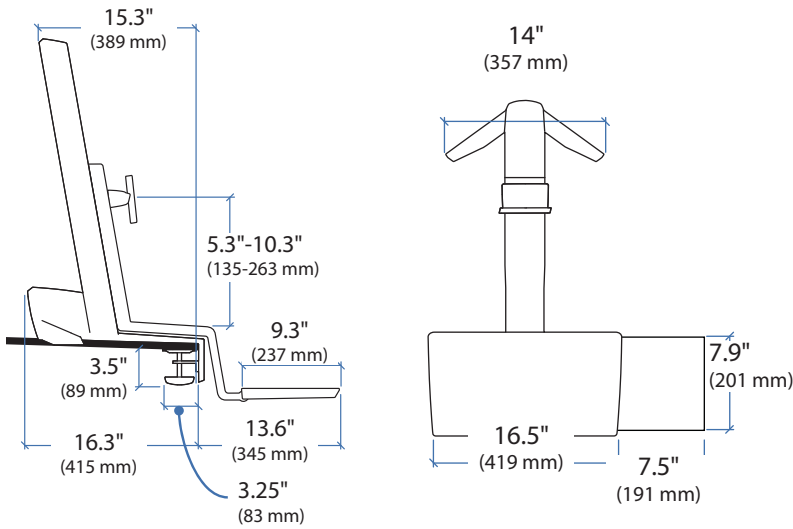
Tokyo, Japan
 www.ergotron.com
 apaccustomerservice@ergotron.com

Worldwide OEM Sales

www.ergotron.com
 info.oem@ergotron.com

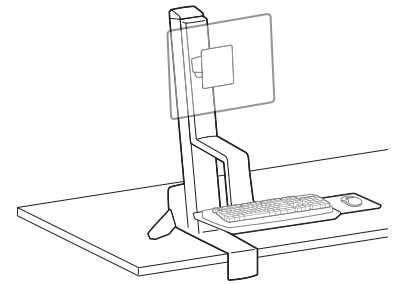


WorkFit-S, Single LCD Mount, HD

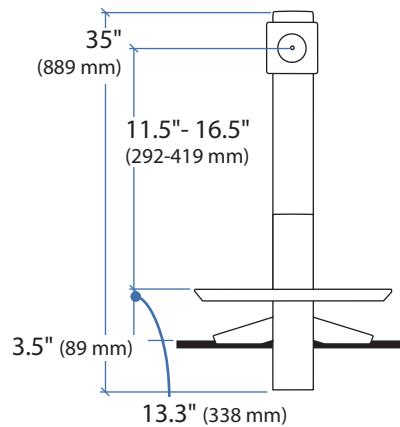
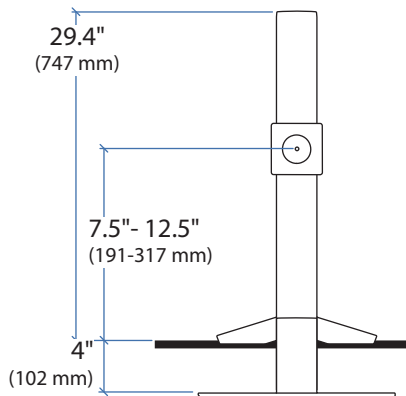
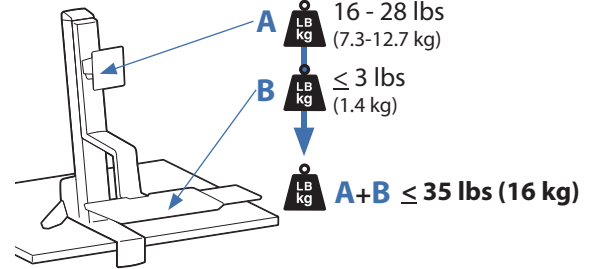


Lowest Position

Highest Position

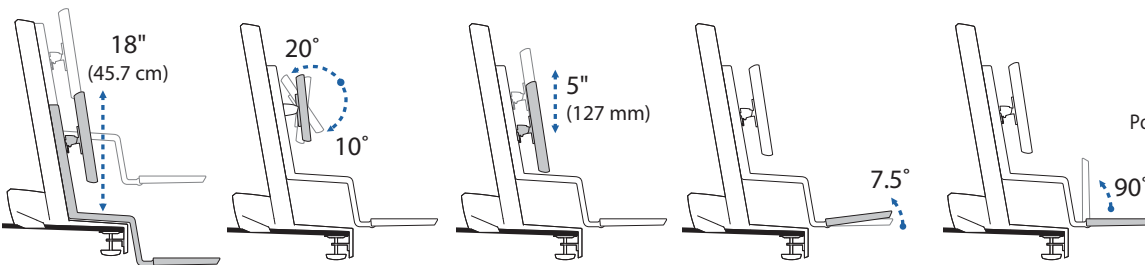
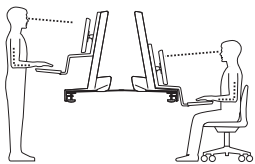
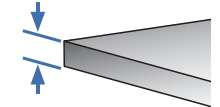


Weight Capacity:

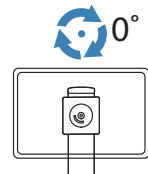


Desk Thickness:

≤ 2.4" (60 mm)



Portrait/Landscape rotation stop screw can be installed for 0° rotation.



© 2014 Ergotron, Inc. rev. 06/25/2014 DIM-WorkFit-S Content is subject to change without notification

Americas Sales and Corporate Headquarters

St. Paul, MN USA
(800) 888-8458
+1-651-681-7600
www.ergotron.com
sales@ergotron.com

EMEA Sales

Amersfoort, The Netherlands
+31 33 45 45 600
www.ergotron.com
info.eu@ergotron.com

APAC Sale

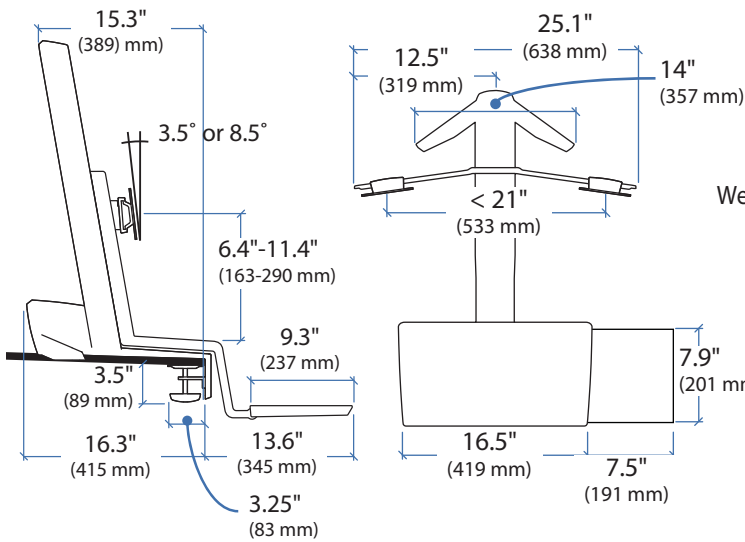
Tokyo, Japan
www.ergotron.com
apaccustomerservice@ergotron.com

Worldwide OEM Sales

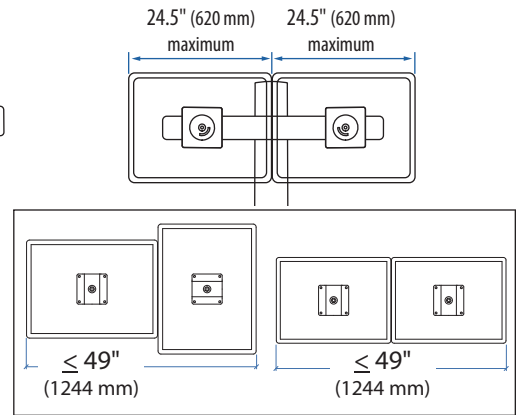
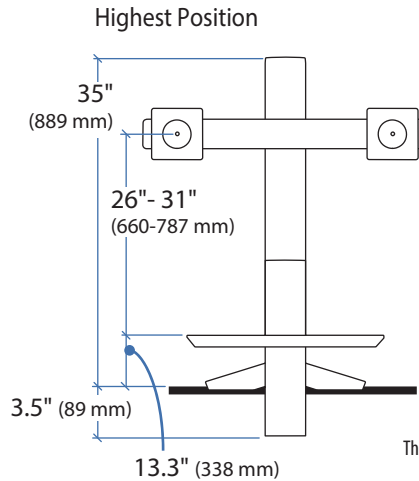
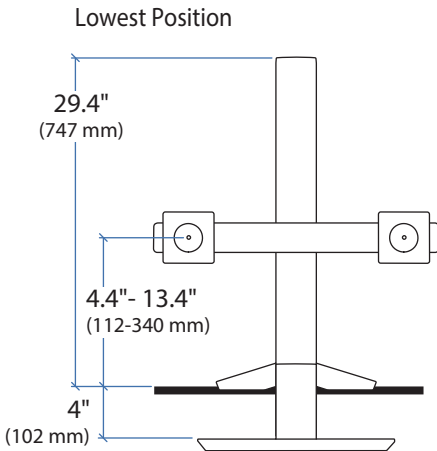
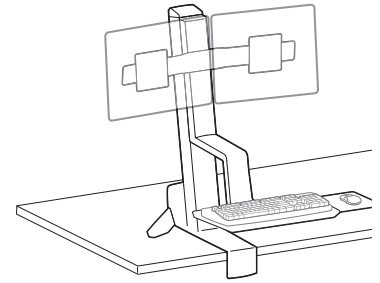
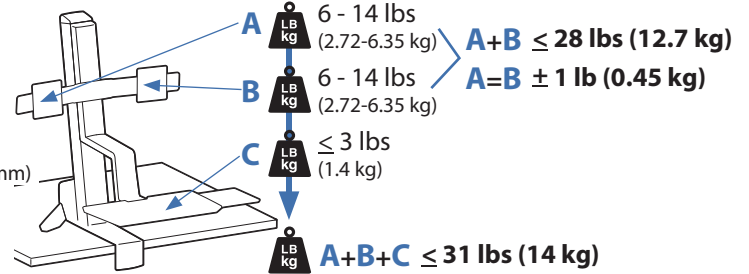
www.ergotron.com
info.oem@ergotron.com



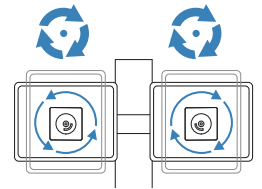
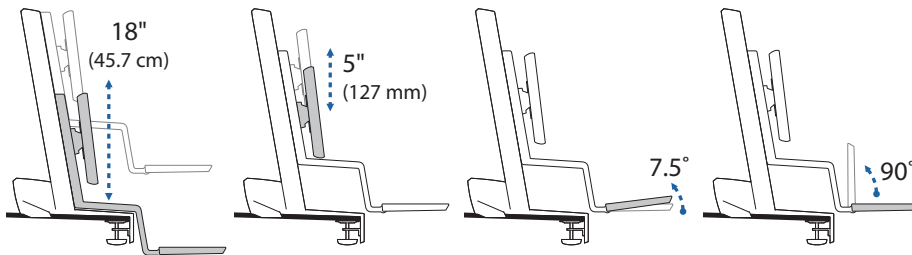
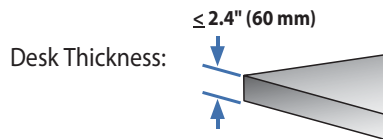
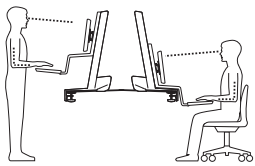
WorkFit-S, Dual



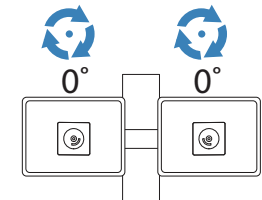
Weight Capacity:



This range accommodates most displays with screens up to 24" as well as some displays with screens as large as 26".
 Actual allowable width of displays will vary slightly depending on display thickness.
 Note that older versions of this product used a narrower crossbar, which accommodated monitors with screens of up to 22"



Portrait/Landscape rotation stop screw can be installed for 0° rotation.



© 2014 Ergotron, Inc. rev. 06/25/2014 DIM-WorkFit-S Content is subject to change without notification

Americas Sales and Corporate Headquarters

St. Paul, MN USA
 (800) 888-8458
 +1-651-681-7600
 www.ergotron.com
 sales@ergotron.com

EMEA Sales

Amersfoort, The Netherlands
 +31 33 45 45 600
 www.ergotron.com
 info.eu@ergotron.com

APAC Sale

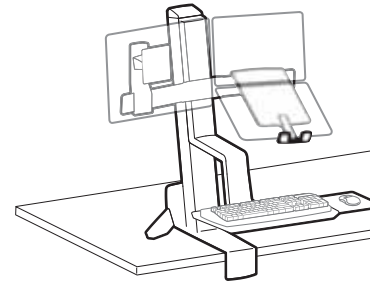
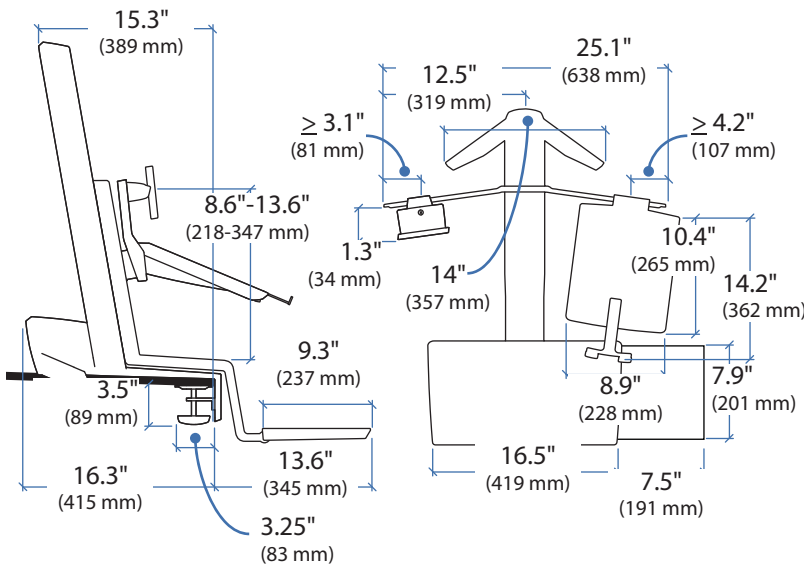
Tokyo, Japan
 www.ergotron.com
 apaccustomerservice@ergotron.com

Worldwide OEM Sales

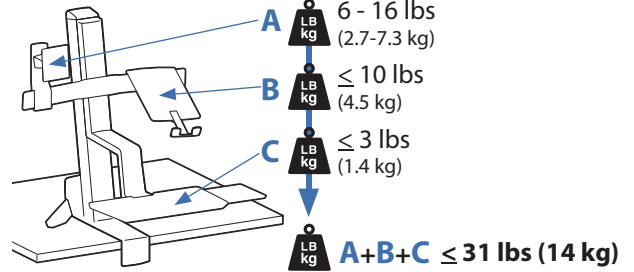
www.ergotron.com
 info.oem@ergotron.com



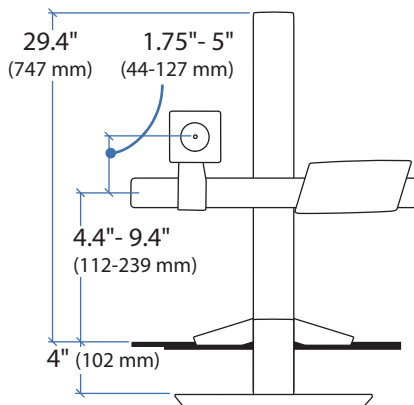
WorkFit-S, LCD & Laptop



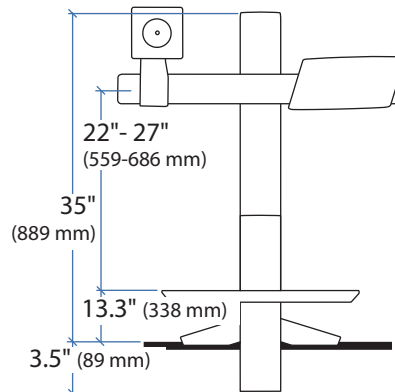
Weight Capacity:



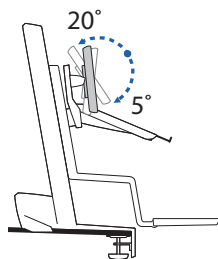
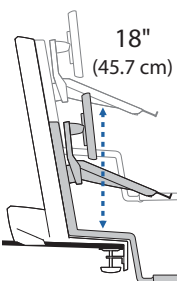
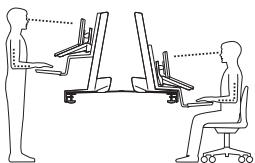
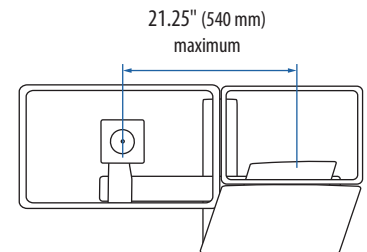
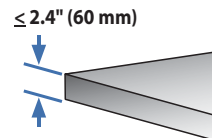
Lowest Position



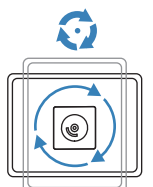
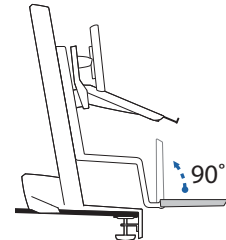
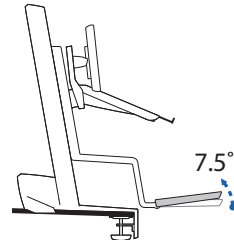
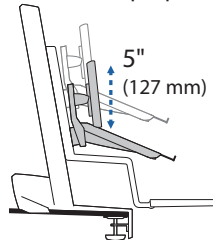
Highest Position



Desk Thickness:



LCD and Laptop Tray



© 2014 Ergotron, Inc. rev. 06/25/2014 DIM-WorkFit-S Content is subject to change without notification

Americas Sales and Corporate Headquarters

St. Paul, MN USA
 (800) 888-8458
 +1-651-681-7600
 www.ergotron.com
 sales@ergotron.com

EMEA Sales

Amersfoort, The Netherlands
 +31 33 45 45 600
 www.ergotron.com
 info.eu@ergotron.com

APAC Sale

Tokyo, Japan
 www.ergotron.com
 apaccustomerservice@ergotron.com

Worldwide OEM Sales

www.ergotron.com
 info.oem@ergotron.com

