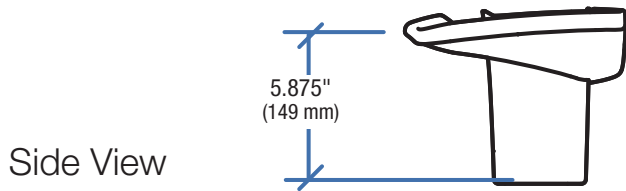
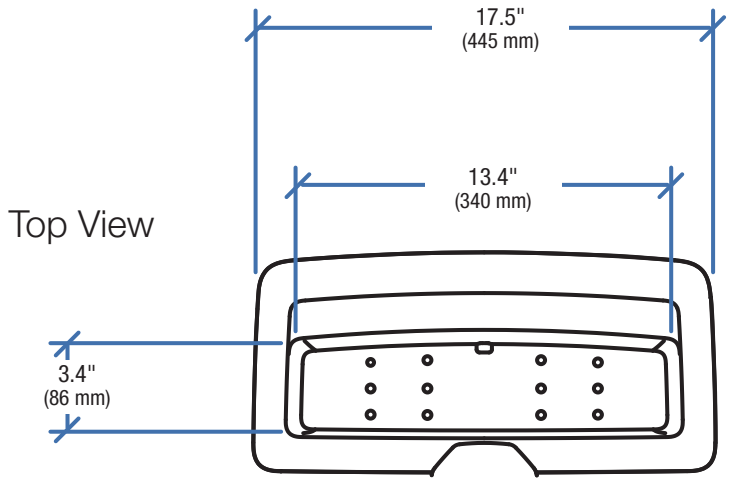


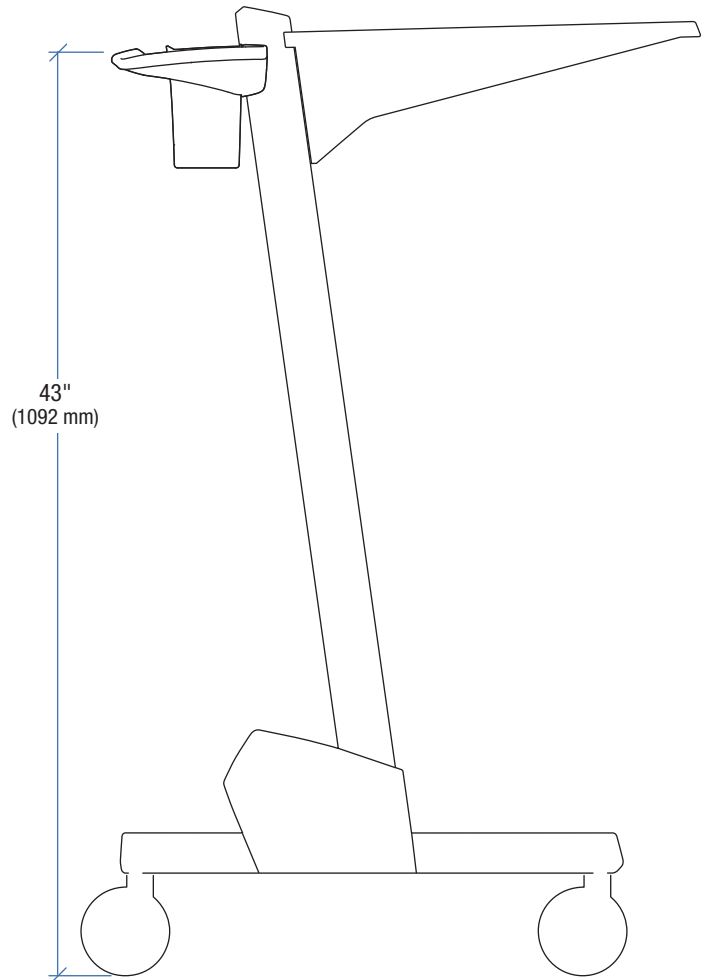
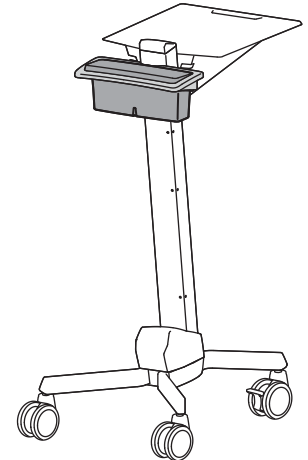
Ergotron® Neo-Flex® Cart

Dimensional Illustrations

Handle and Basket Kit



Weight Capacity:
5 lbs (2.3 kg)



© 2010 Ergotron, Inc. rev. 10/12/2010 DIM-NFBasket Content is subject to change without notification

**Americas Sales and
Corporate Headquarters**

St. Paul, MN USA
(800) 888-8458
+1-651-681-7600
www.ergotron.com
sales@ergotron.com

EMEA Sales

Amersfoort, The Netherlands
+31 33 45 45 600
www.ergotron.com
info.eu@ergotron.com

APAC Sales

Singapore
www.ergotron.com
info.apac@ergotron.com

Worldwide OEM Sales

www.ergotron.com
info.oem@ergotron.com

