

## Zido® Cable Bin



Product	Part#
Zido Cable Bin	ZCBCG

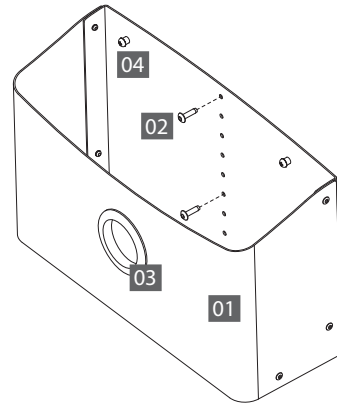
NOTE: The Zido cart (shown shaded) is not included.

For the latest User Installation Guide please visit: [www.ergotron.com](http://www.ergotron.com)

## PARTS LIST

A 5/32" hex head driver (provided with your Zido cart) is required for this assembly.

Cable Bin	Quantity	Part Number
01 Cable Bin Body	1	835-5142-00
02 Self-threading Screw, 1/2"	3	325-5464-00
03 Grommet	2	175-5236-00
04 1/4" Phillips Head Screw	2	325-5457-00
05 8" Cable Ties (not shown)	4	175-5121-03



## STEP 1

### Select an Installation Point

- Select an installation point for your Cable Bin. The Cable Bin can be installed over the top of a Zido Shelf/Bin Bracket. If you want the Cable Bin to share space with a Shelf/Bin Bracket, install the shelf or bin first, then begin assembly of this Cable Bin.

## STEP 2

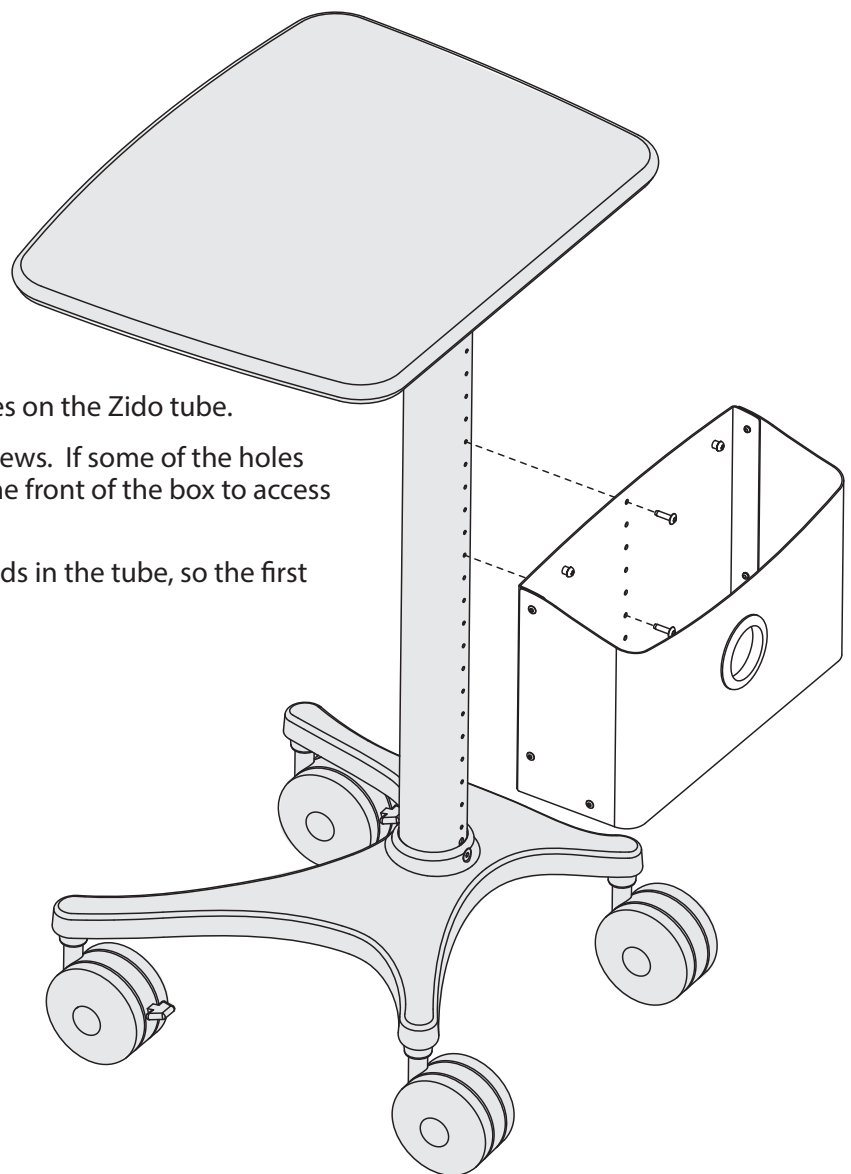
### Install the Bin onto the Zido Tube

- Align the holes on the box with the holes on the Zido tube.
- Secure using two 1/2" self-threading screws. If some of the holes are hard to reach, use the opening on the front of the box to access them.

Note: These fasteners are cutting the threads in the tube, so the first few turns will require some force.



Self-threading Screw  
325-5464-00



## STEP 3

### Install the Grommets and Ties

- Slip the grommets into the two cable pass-throughs.
- If you have purchased an Anthro Surge Protector to install on your Cable Bin, install the two 1/4" Phillips screws into the two holes at the top of the Cable Bin. Tighten them until the head is about 1/2" from the Bin.
- Use the four cable ties to organize your cords and cables.

**CONGRATULATIONS! YOUR CABLE BIN ASSEMBLY IS COMPLETE!**

For Warranty visit: [www.ergotron.com/warranty](http://www.ergotron.com/warranty)

For Service visit: [www.ergotron.com](http://www.ergotron.com)

For local customer care phone numbers visit: <http://contact.ergotron.com>

**Americas Sales and  
Corporate Headquarters**

1181 Trapp Rd.  
St. Paul, MN USA  
1-800-325-3841  
[www.ergotron.com](http://www.ergotron.com)  
[sales@ergotron.com](mailto:sales@ergotron.com)



While Ergotron, Inc. makes every effort to provide accurate and complete information on the installation and use of its products, it will not be held liable for any editorial errors or omissions (including those made in the process of translation from English to another language), or for incidental, special or consequential damages of any nature resulting from furnishing this instruction and performance of equipment in connection with this instruction. Ergotron, Inc. reserves the right to make changes in the product design and/or product documentation without notification to its users. For the most current product information, or to know if this document is available in languages other than those herein, please contact Ergotron. No part of this publication may be reproduced, stored in a retrieval system, or transmitted in any form or by any means, electronic, mechanical, photocopying, recording or otherwise without the prior written consent of Ergotron, Inc., 1181 Trapp Road, Eagan, Minnesota, 55121, USA. Patents Pending and Patented U.S. & Foreign. Ergotron is a registered trademark of Ergotron, Inc.

© 2016 Ergotron, Inc. All rights reserved.

All trademarks are the property of their respective companies. Anthro is a registered trademark and brand of Ergotron Inc. Anthro-DNA is a trademark of Ergotron Inc.