



WINSTON DESK™

The Winston Desk™ is an ultra easy sit-stand solution. Designed with an upper display surface and lower, retractable keyboard and mouse desk. Winston Desk™ features a gas-assisted lift mechanism that lets you switch easily between sitting and standing in just a few seconds. It also holds up to 35 lbs, while staying steady and solid at any height. Winston Desk™ ships fully assembled and ready-to-use – just put it right on top of your current desk, and you're ready to work.



WNST-DESK-36



Retractable lower work surface.



Expansive upper display surface.



Single handle design for easy transitions from sitting to standing.



36" corner desk model available for cubicle corners or L-shaped desks.

FEATURES

- Lower work surface retracts to allow for a comfortable position.
- Single-handle design puts effortless operation at your fingertips.
- Gas-assisted lifting mechanism allows you to raise and lower easily in just a few seconds.
- Extremely solid base ensures a sturdy and stable work surface at any height.
- Ships fully assembled, no installation required.
- Upper desk surface has a .5" bolt-thru hole for mounting an optional monitor arm.

AVAILABLE MODELS

WNST-DESK-36	36"	Supports up to 35 lbs (15.8 kg)
WNST-DESKCR-36 (corner desk)		Supports up to 35 lbs (15.8 kg)
WNST-DESK-42	42"	Supports up to 35 lbs (15.8 kg)

FINISHES

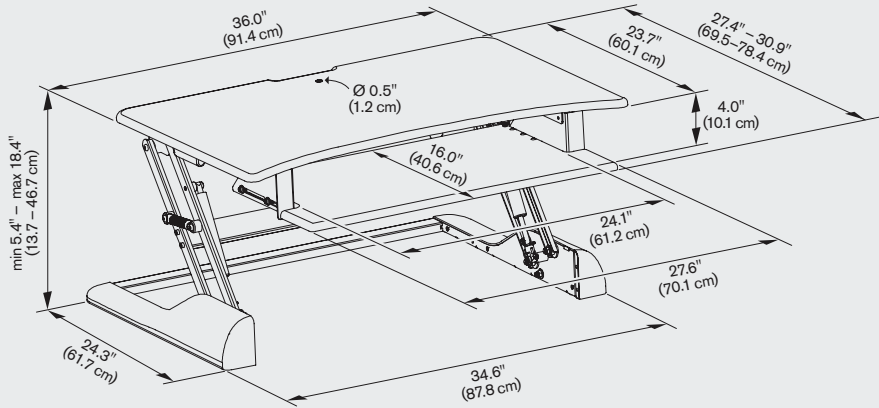
WHITE | color code: **WHT***

BLACK | color code: **BLK**

* White finish not available on Winston Corner Desk.

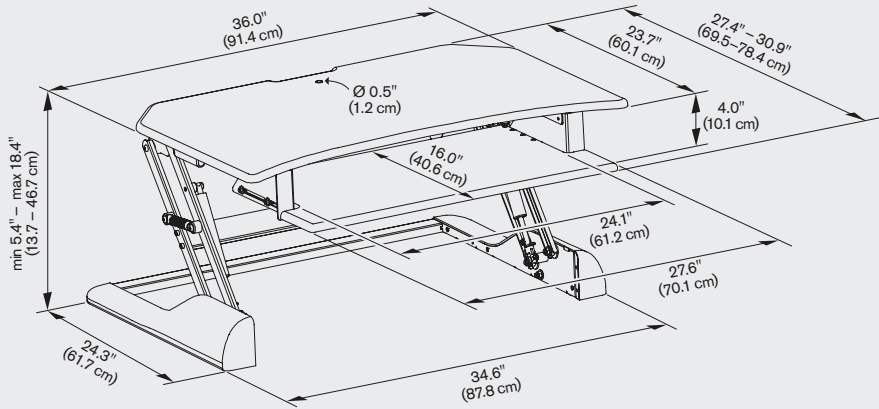
CAPABILITIES

WINSTON DESK™ - 36"



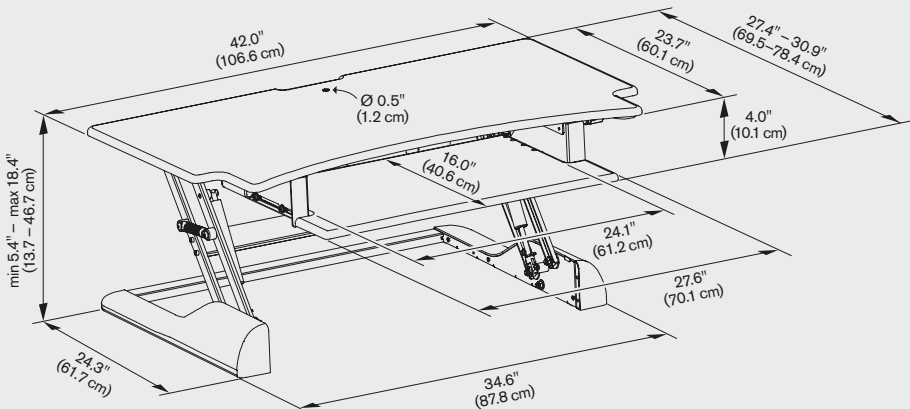
- Base dimensions:** 34.6" wide x 24.3" deep
- Desktop dimensions:** 36.0" wide x 27.4" - 30.9" deep
- Desktop height adjustment range:** 5.4" to 18.4"
- Desktop thickness:** 0.6" (minimum 1.5" off desk)
- Weight capacity:** Up to 35 lbs

WINSTON DESK™ CORNER - 36"



- Base dimensions:** 34.6" wide x 24.3" deep
- Desktop dimensions:** 36.0" wide x 27.4" - 30.9" deep
- Desktop height adjustment range:** 5.4" to 18.4"
- Desktop thickness:** 0.6" (minimum 1.5" off desk)
- Weight capacity:** Up to 35 lbs

WINSTON DESK™ - 42"



- Base dimensions:** 34.6" wide x 24.3" deep
- Desktop dimensions:** 42.0" wide x 27.4" - 30.9" deep
- Desktop height adjustment range:** 5.4" to 18.4"
- Desktop thickness:** 0.6" (minimum 1.5" off desk)
- Weight capacity:** Up to 35 lbs