

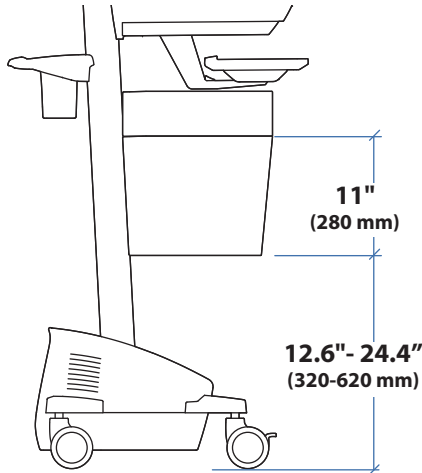
# Ergotron® StyleView

Dimensional Illustrations

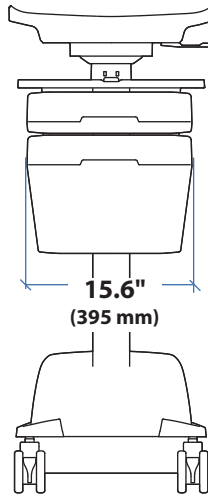
## StyleView® Envelope Drawer

For Medication Only.

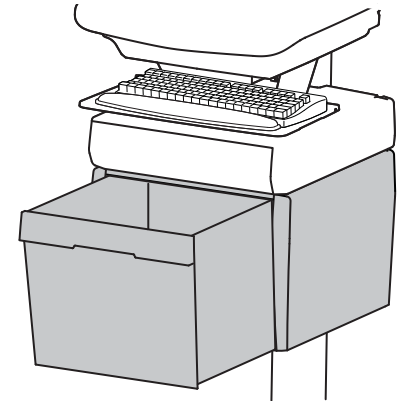
### Dimensions



Side View

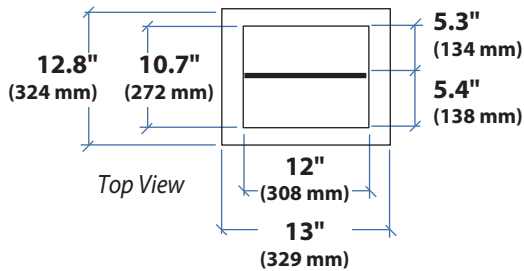


Front View



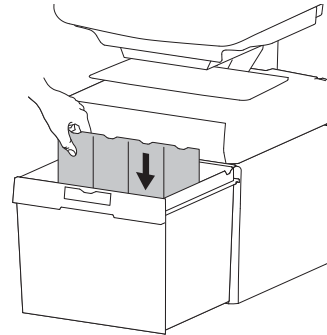
≤ 2 lbs (1 kg)

Total weight capacity per drawer.

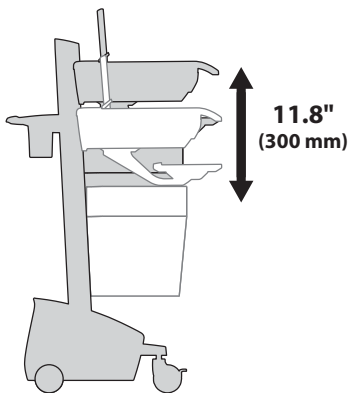


Top View

### Includes Divider



### Range of Motion



© 2012 Ergotron, Inc. rev. 11/02/2012 DIM-EnvelopeDrawer Content is subject to change without notification

#### Americas Sales and Corporate Headquarters

St. Paul, MN USA  
(800) 888-8458  
+1-651-681-7600  
www.ergotron.com  
sales@ergotron.com

#### EMEA Sales

Amersfoort, The Netherlands  
+31 33 45 45 600  
www.ergotron.com  
info.eu@ergotron.com

#### APAC Sales

Tokyo, Japan  
www.ergotron.com  
apaccustomerservice@ergotron.com

#### Worldwide OEM Sales

www.ergotron.com  
info.oem@ergotron.com

