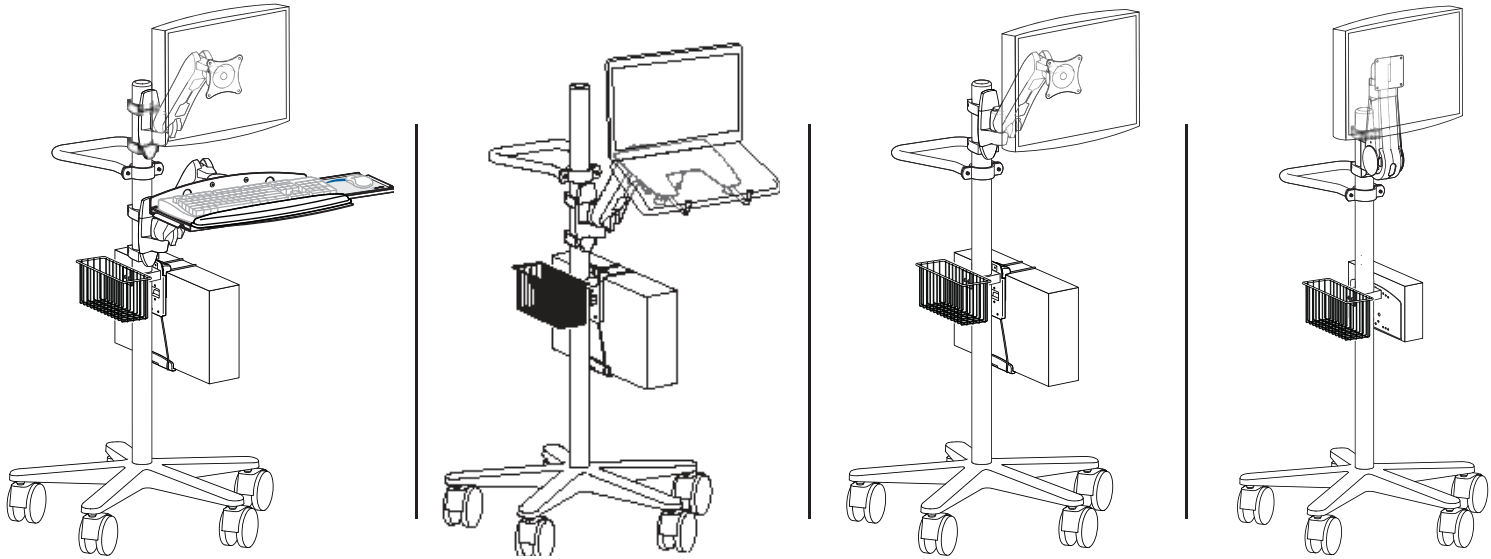
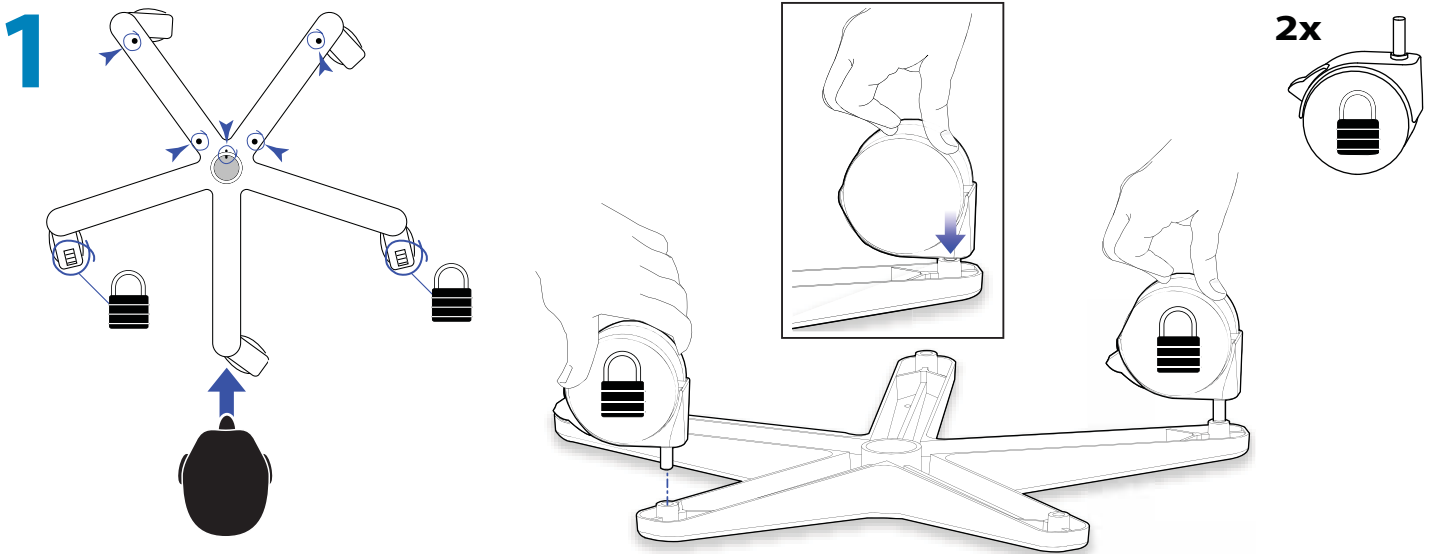


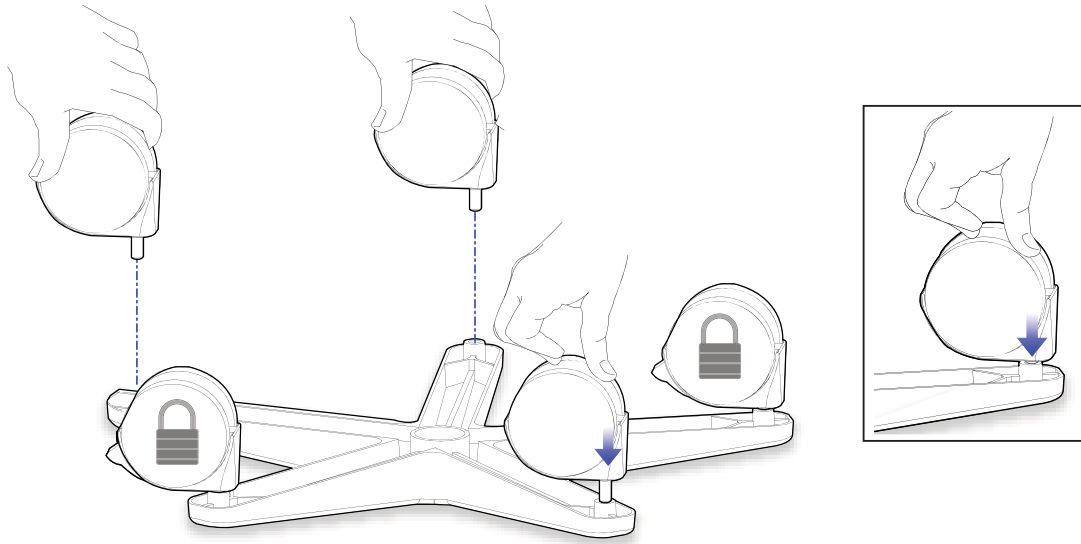
www.ergotron.com
 USA 1-800-888-8458
 Europe +31 (0)33-45 45 600
 China 86-769-86018920



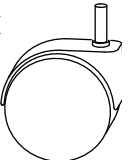
	A	B	C	D	E	F
1	1x 	2x 	3x 	1x 	1x 	1x
2	1x 					



2



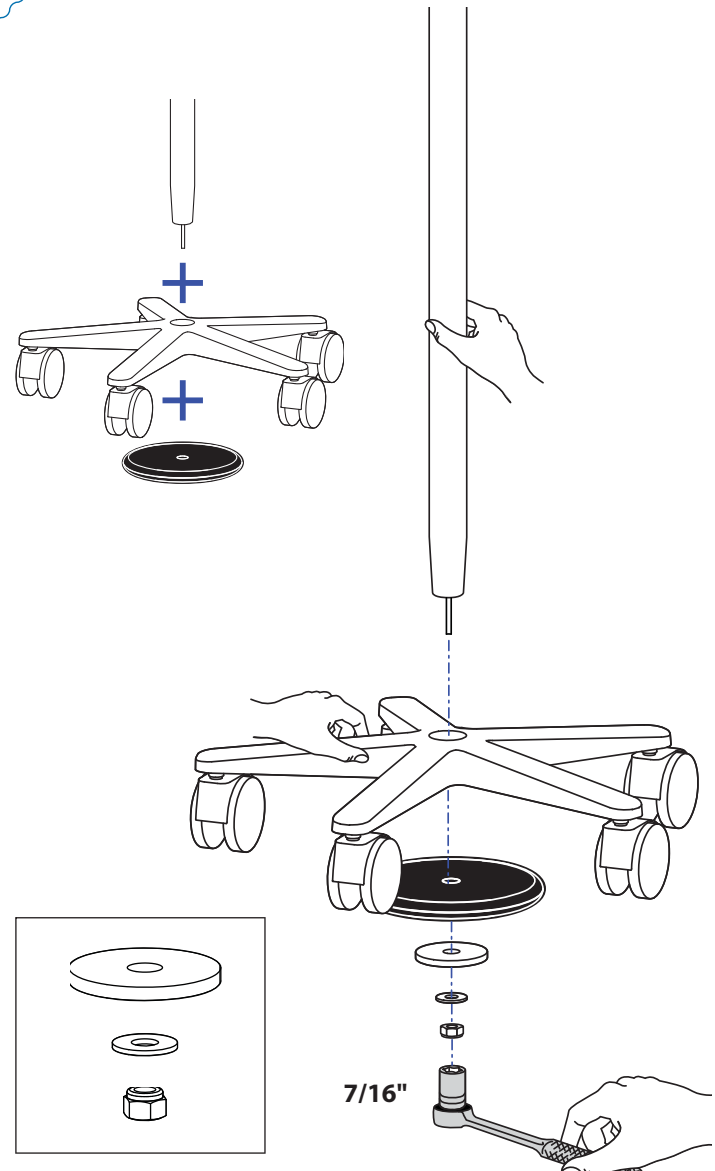
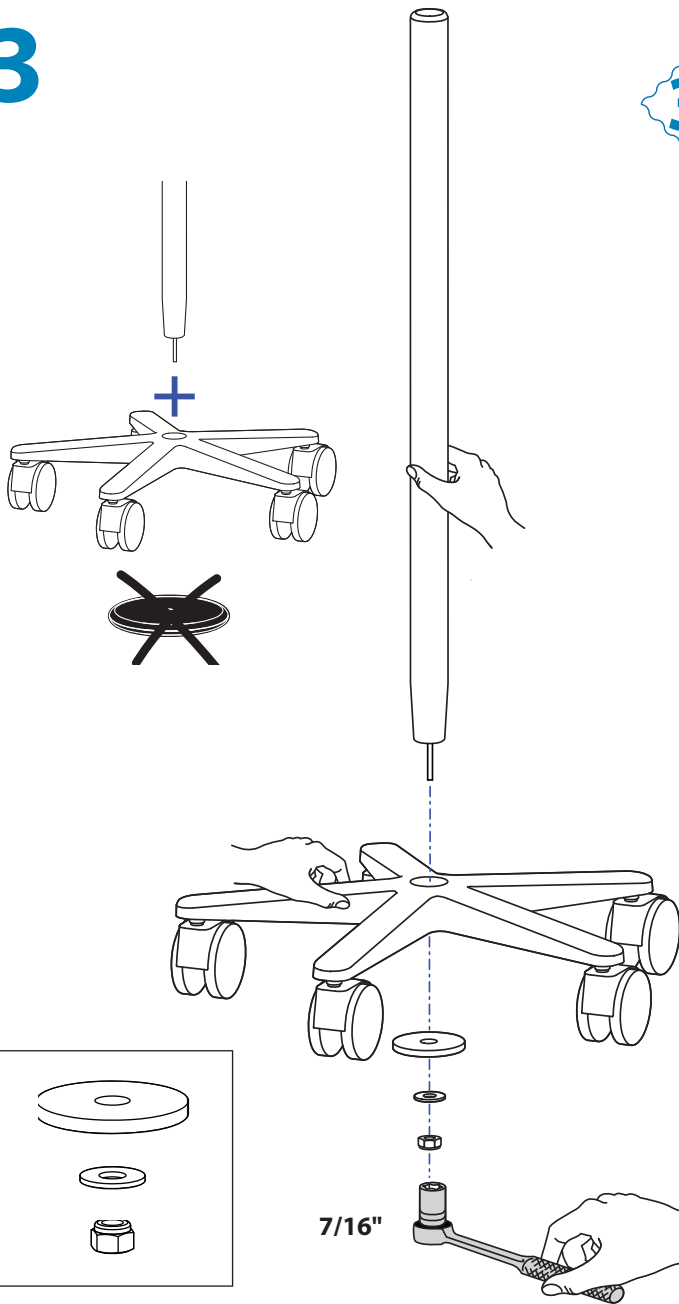
3x



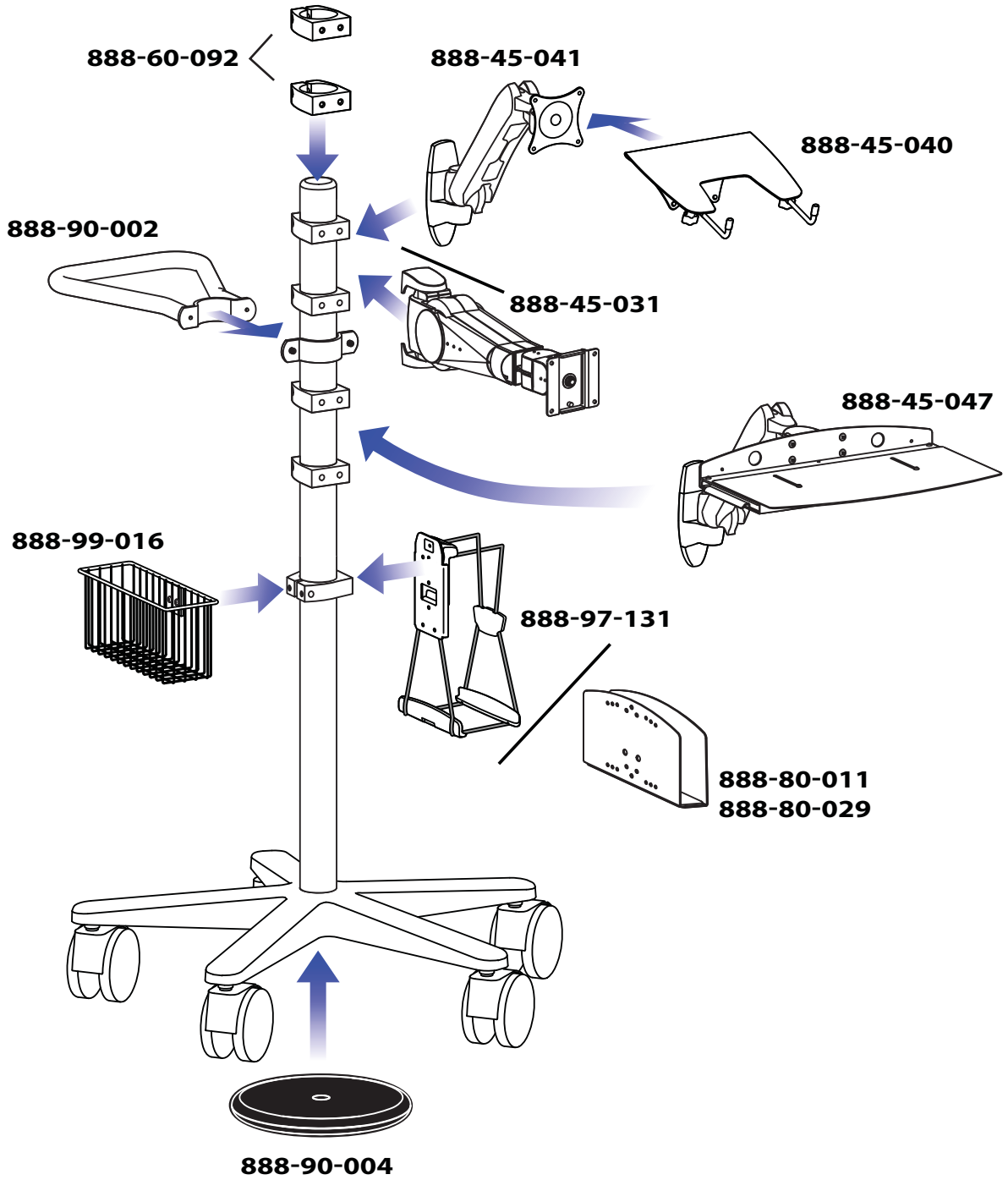
3

3A

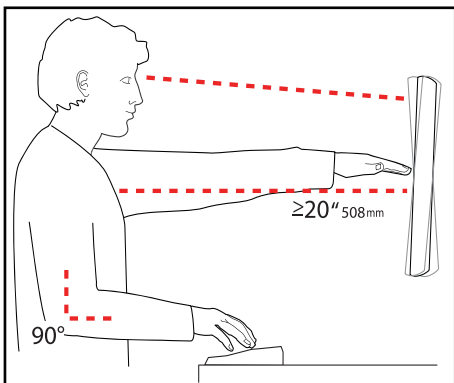
Follow manual provided with accessory for mounting.



4 Follow manual provided with accessory for mounting



Set Your Workstation to Work For YOU!



Learn more about ergonomic computer use at:
www.computingcomfort.org

- Height** Position top of screen slightly below eye level.
Position keyboard at about elbow height with wrists flat.
- Distance** Position screen an arm's length from face—at least 20" (508mm).
Position keyboard close enough to create a 90° angle in elbow.
- Angle** Tilt screen to eliminate glare.
Tilt the keyboard back 10° so that your wrists remain flat.

To Reduce Fatigue

- Breathe - Breathe deeply through your nose.
- Blink - Blink often to avoid dry eyes.
- Break • 2 to 3 minutes every 20 minutes
- 15 to 20 minutes every 2 hours.

For service and warranty visit www.ergotron.com

Si desea información de servicio y garantía, visite www.ergotron.com

Pour toute question concernant la garantie ou le service client, consultez www.ergotron.com

Weitere Informationen zu Service und Gewährleistung erhalten Sie unter www.ergotron.com.

Ga voor service en garantie naar www.ergotron.com

Per assistenza e la garanzia visitare www.ergotron.com

Gå in på www.ergotron.com för service och garanti

サービスおよび保証について詳しくは、www.ergotron.com をご覧ください。

有关服务和保修，请访问 www.ergotron.com

For local customer care phone numbers visit: <http://contact.ergotron.com>

Para conocer los números telefónicos locales de atención al cliente, visite: <http://contact.ergotron.com>

Pour les numéros de téléphone du service client local, visitez : <http://contact.ergotron.com>

Örtliche Telefonnummern für den Kundendienst finden Sie hier: <http://contact.ergotron.com>

Plaatselijke telefoonnummers voor de klantendienst kunt u vinden op: <http://contact.ergotron.com>

Per conoscere i numeri di telefono dell'assistenza clienti locale, visitare: <http://contact.ergotron.com>

För lokala kundtjänstnummer, gå till: <http://contact.ergotron.com>

最寄りのカスタマーケアの電話番号については、こちらをご覧ください: <http://contact.ergotron.com>

若需当地客户服务电话号码，请访问：<http://contact.ergotron.com>

Americas Sales and Corporate Headquarters

1181 Trapp Rd.
St. Paul, MN USA
(800) 888-8458
+1-651-681-7600
www.ergotron.com
sales@ergotron.com

EMEA Sales

Amersfoort, The Netherlands
+31 33 45 45 600
www.ergotron.com
info.eu@ergotron.com

APAC Sales

Tokyo, Japan
www.ergotron.com
apaccustomerservice@ergotron.com

Worldwide OEM Sales

www.ergotron.com
info.oem@ergotron.com



© 2014 Ergotron, Inc.
All rights reserved.

While Ergotron, Inc. makes every effort to provide accurate and complete information on the installation and use of its products, it will not be held liable for any editorial errors or omissions (including those made in the process of translation from English to another language), or for incidental, special or consequential damages of any nature resulting from furnishing this instruction and performance of equipment in connection with this instruction. Ergotron, Inc. reserves the right to make changes in the product design and/or product documentation without notification to its users. For the most current product information, or to know if this document is available in languages other than those herein, please contact Ergotron. No part of this publication may be reproduced, stored in a retrieval system, or transmitted in any form or by any means, electronic, mechanical, photocopying, recording or otherwise without the prior written consent of Ergotron, Inc., 1181 Trapp Road, Eagan, Minnesota, 55121, USA. Patents Pending and Patented U.S. & Foreign. Ergotron is a registered trademark of Ergotron, Inc.