

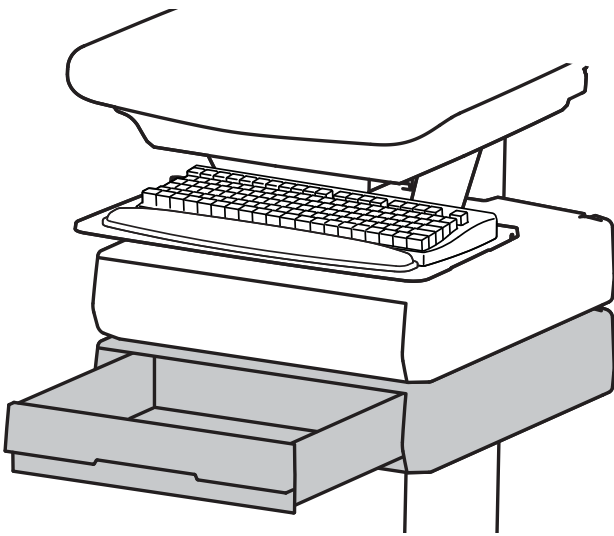
www.ergotron.com
 USA 1-800-888-8458
 Europe +31 (0)33-45 45 600
 China 86-769-86018920

For service and warranty visit www.ergotron.com
 Si desea información de servicio y garantía, visite www.ergotron.com
 Pour toute question concernant la garantie ou le service client, consultez www.ergotron.com
 Weitere Informationen zu Service und Gewährleistung erhalten Sie unter www.ergotron.com
 Ga voor service en garantie naar www.ergotron.com
 Per assistenza e la garanzia visitare www.ergotron.com
 Gå in på www.ergotron.com för service och garanti
 サービスおよび保証について詳しくは、www.ergotron.com をご覧ください。
 有关服务和保修，请访问 www.ergotron.com

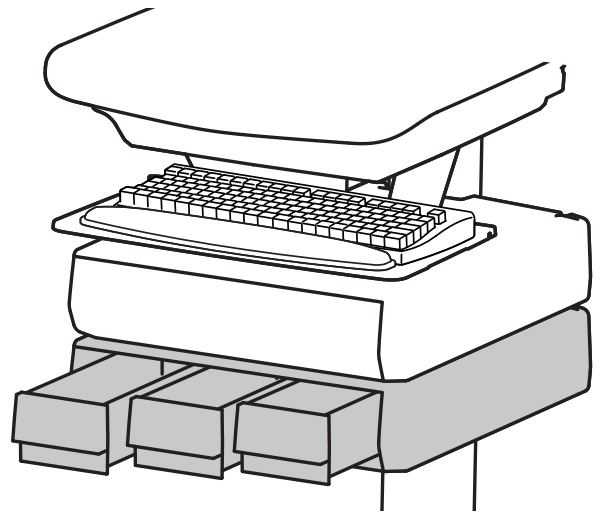
www.ergotron.com



User's Guide - English
 Guía del usuario - Español
 Manuel de l'utilisateur - Français
 Gebruikersgids - Nederlands
 Benutzerhandbuch - Deutsch
 Guida per l'utente - Italiano
 Användarhandbok - svenska
 ユーザーガイド : 日本語
 用户指南 : 汉语



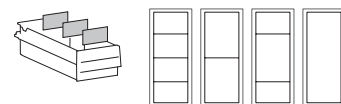
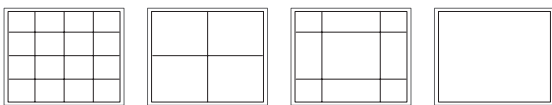
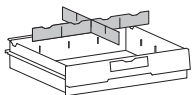
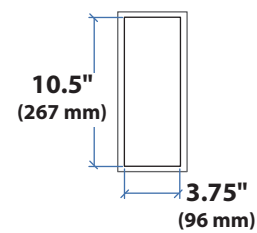
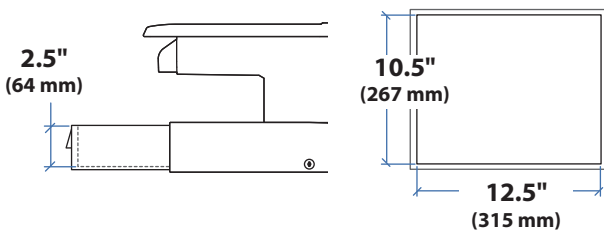
or

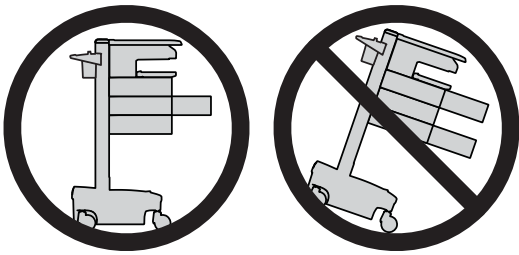


≤ 2 lbs (1 kg)
 Total weight capacity per drawer.



≤ 0.25 lbs (0.1 kg)
 Total weight capacity per drawer.





CAUTION: Close worksurface before opening drawers. Open only one drawer at a time. Do Not push cart when drawers or worksurface are open. Failure to follow these instructions may cause the cart to be unstable.

WARNING




IMPACT HAZARD!
MOVING PARTS CAN CRUSH AND CUT.

Minimize Lift Tension BEFORE:

- Removing Mounted Equipment.
- Shipping Cart
- Storing Cart

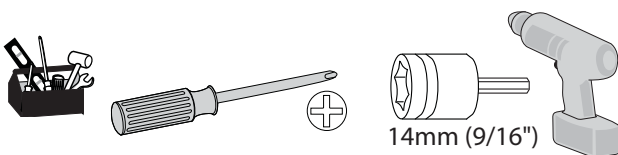
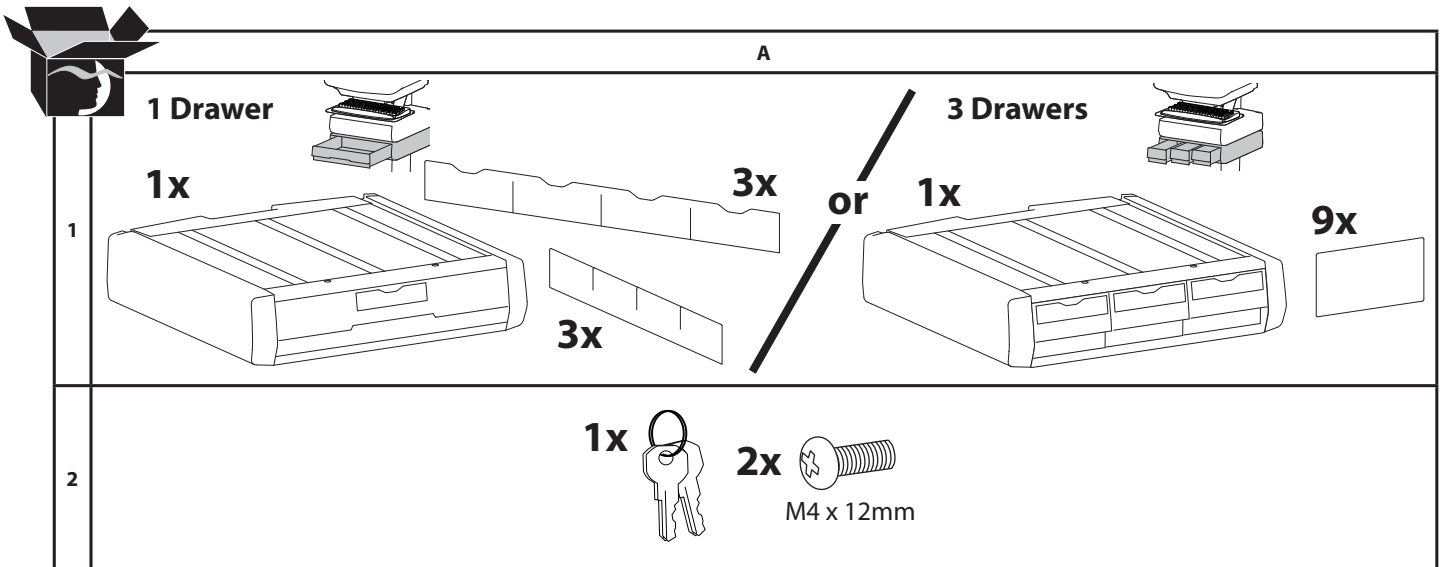
To Minimize Lift Tension

1. Lower worksurface to lowest position.
2. Turn adjustment nut at top of riser counterclockwise until it stops (Adjustment may require 40-60 revolutions).

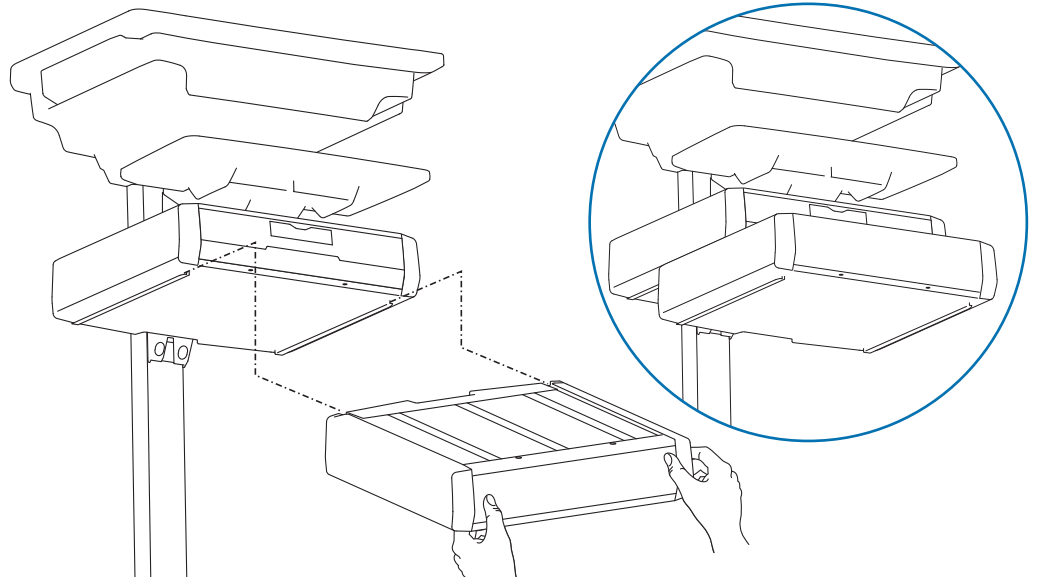
Failure to heed this warning may result in serious personal injury or property damage!

For More information and instructions refer to product guide at <http://4support.ergotron.com> or contact Ergotron Customer Care at 1-800-888-8458.

822-052

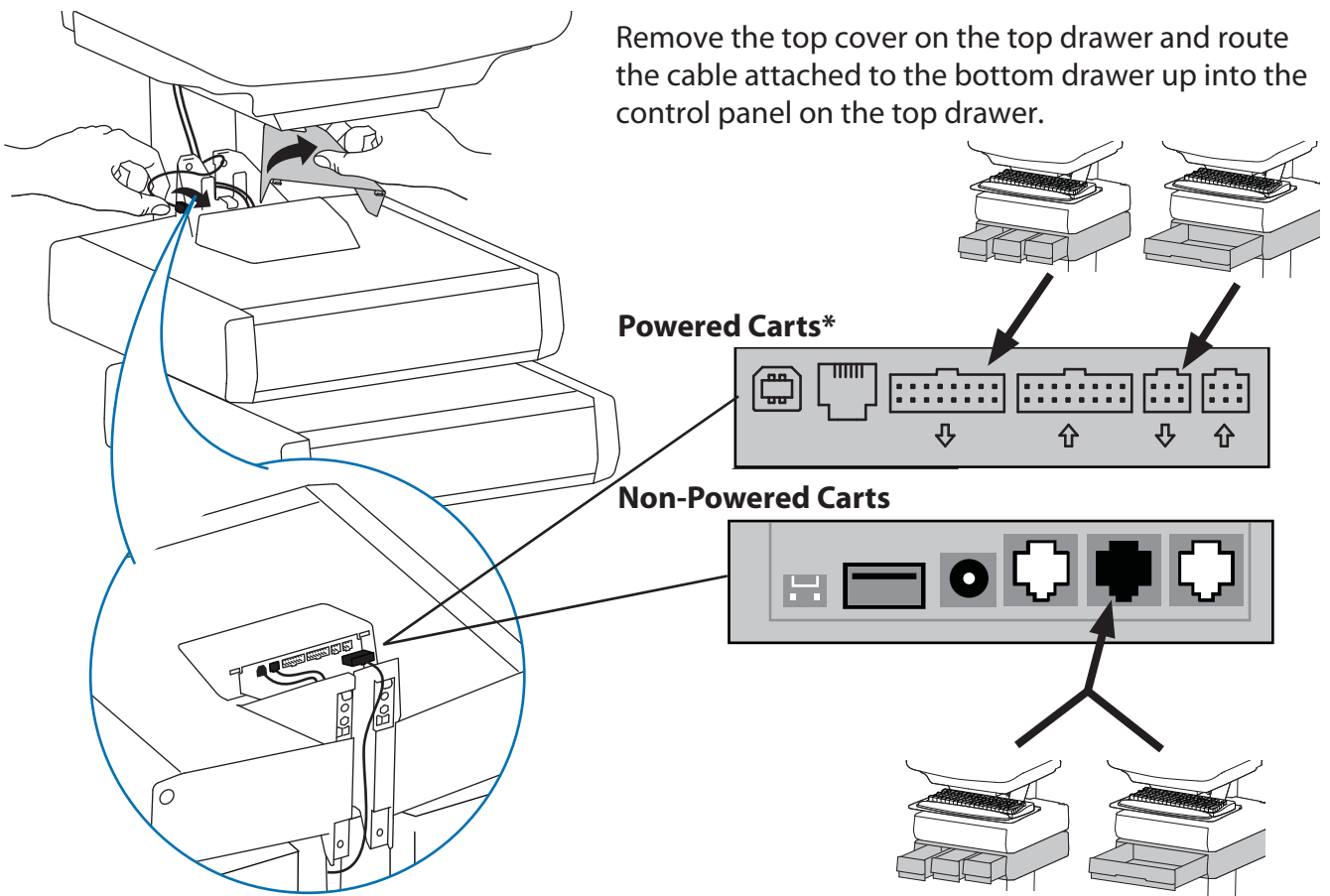


1 Slide the drawer only half way onto the bottom tracks of the top drawer.

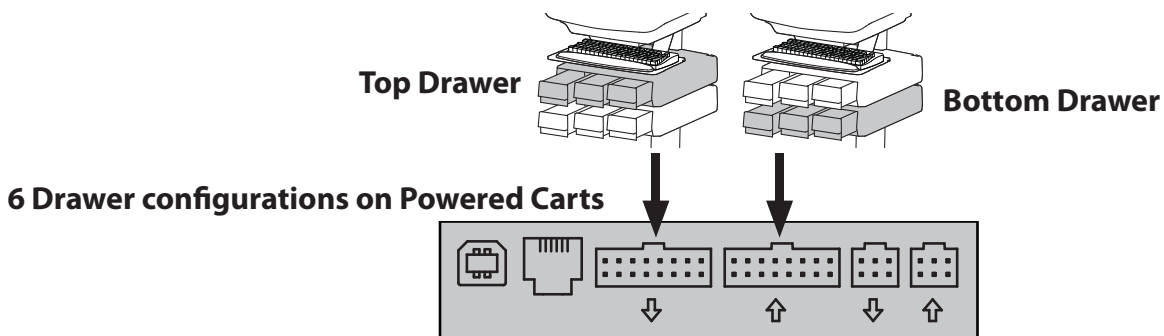


2

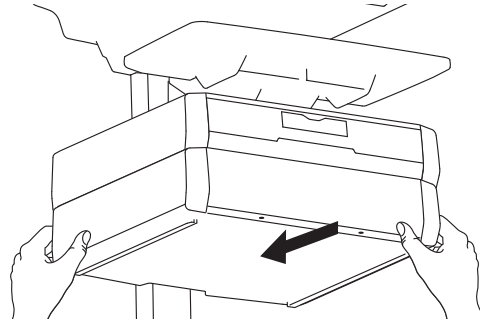
Remove the top cover on the top drawer and route the cable attached to the bottom drawer up into the control panel on the top drawer.



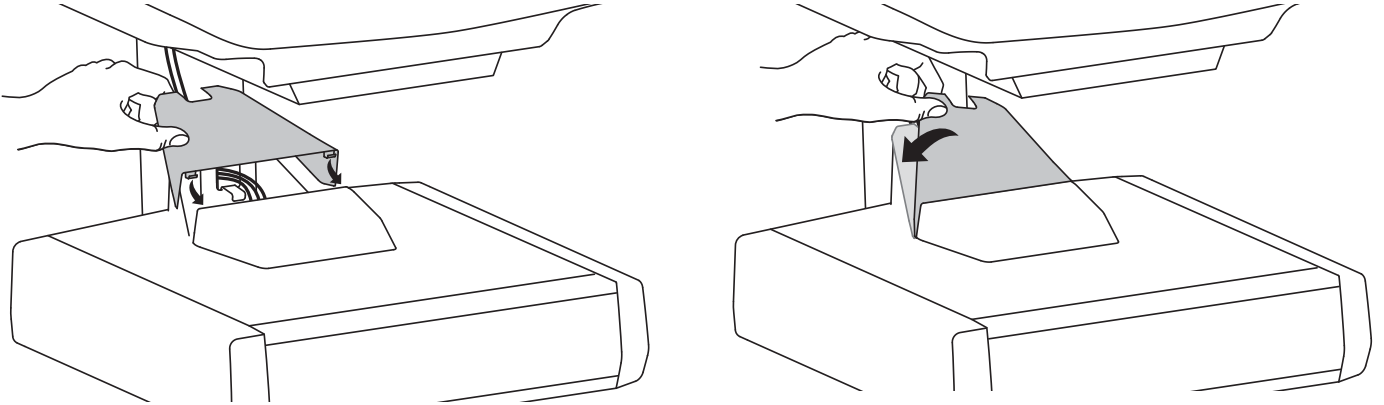
***IMPORTANT!** If you have a six drawer configuration, you will need to unplug the top drawer cable from the up arrow jack and plug it into the down arrow jack. Then plug the bottom drawer cable into the up arrow jack.



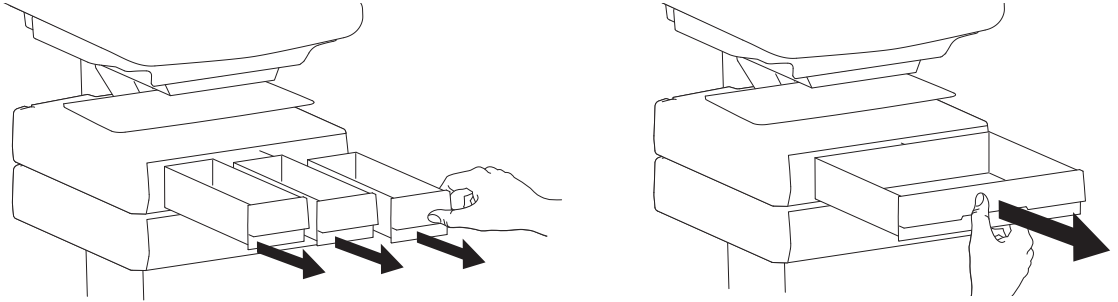
3 Slide the drawer completely onto the bottom tracks of the top drawer.



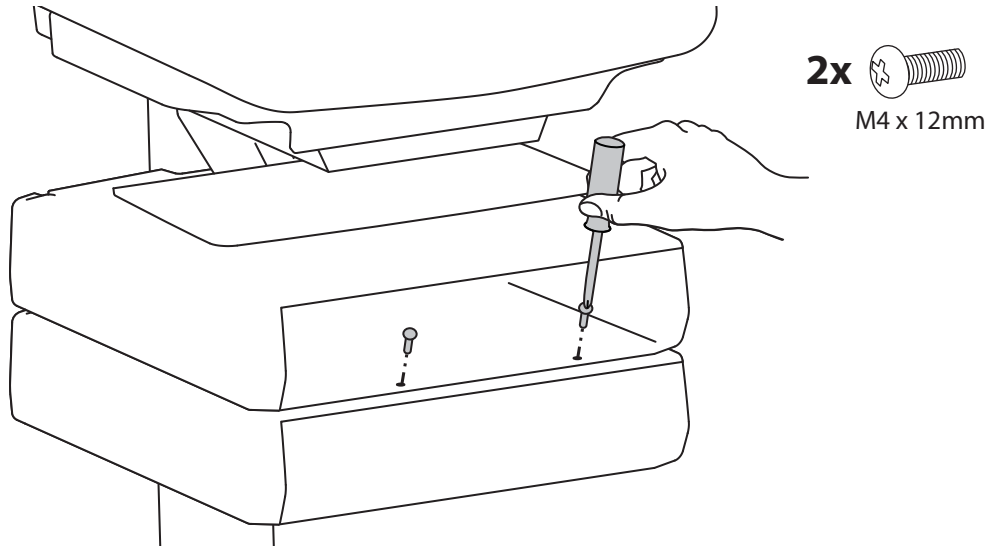
4 Replace the top cover on the top drawer.



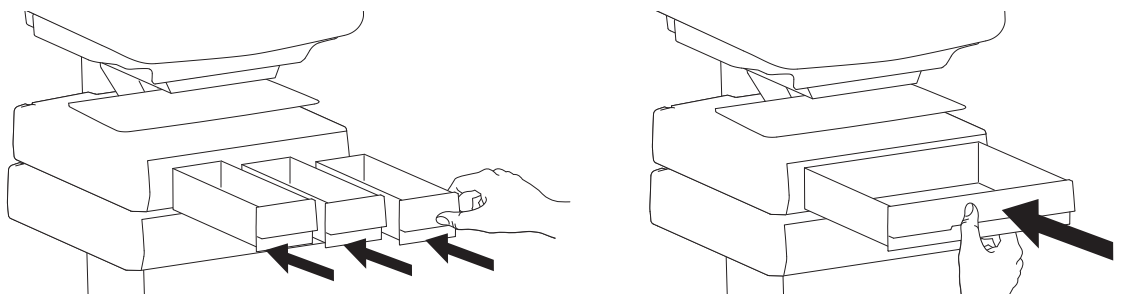
5 Remove the top drawer(s).



6 Secure the bottom drawer by attaching the two screws.

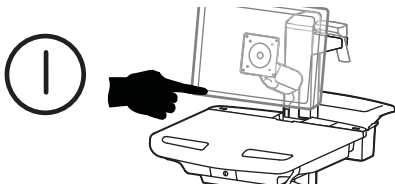


7 Replace the top drawer(s).

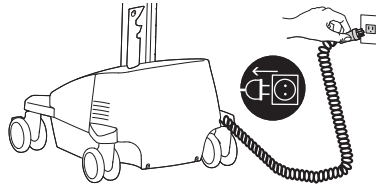


8 On Powered Carts only, reset drawer power so keypad will recognize added drawer.
 NOTE: This step is not needed on Non-Powered Carts.

a Turn off all mounted equipment.



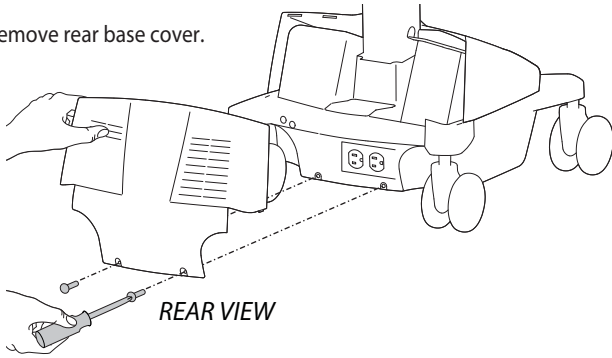
b Disconnect Power System from power source.



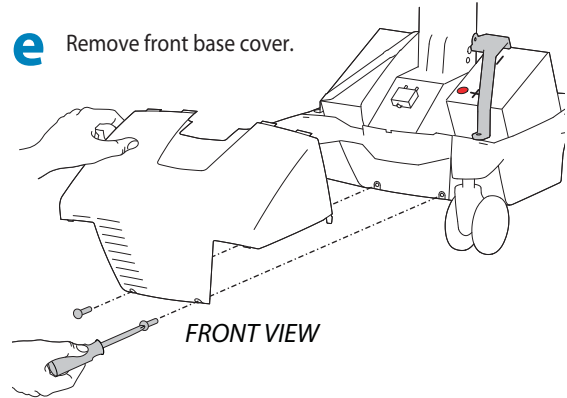
c Turn power system off by holding down the AC Outlet Power button for 1 - 3 seconds. Power light will shut off.



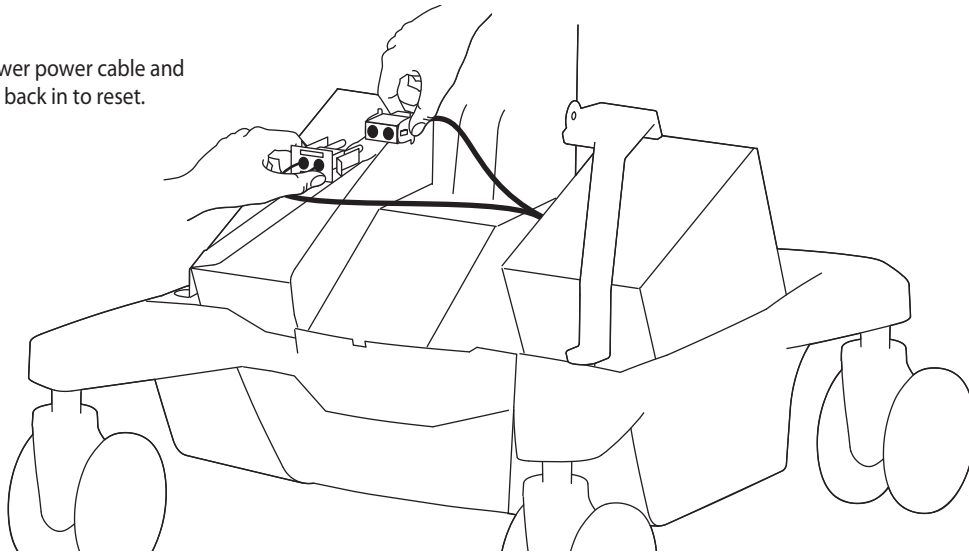
d Remove rear base cover.



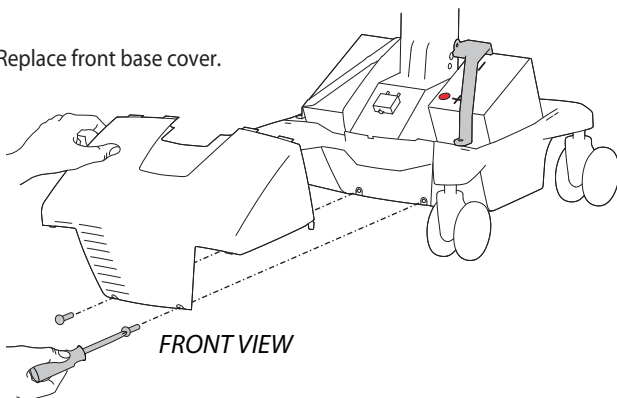
e Remove front base cover.



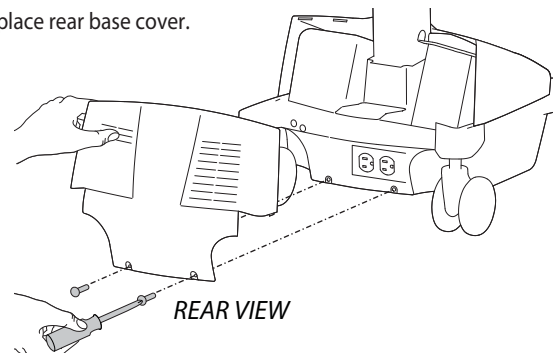
f Unplug drawer power cable and then plug it back in to reset.



g Replace front base cover.

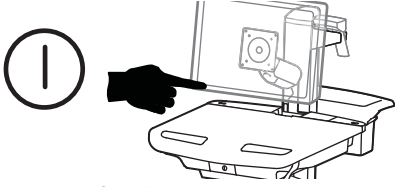


h Replace rear base cover.

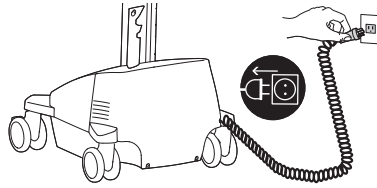


8 On Powered Carts only, reset drawer power so keypad will recognize added drawer. NOTE: This step is not needed on Non-Powered Carts.

a Turn off all mounted equipment.

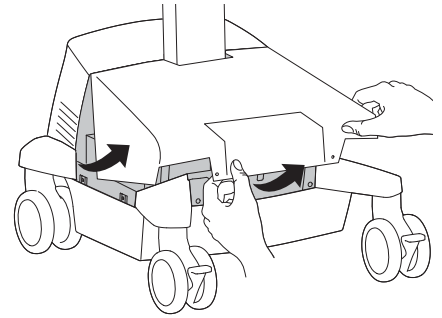
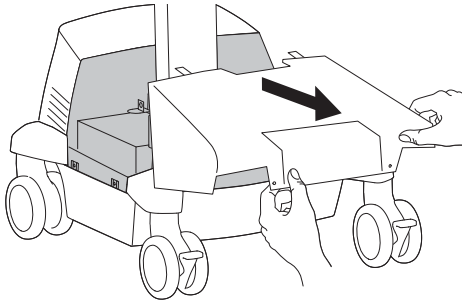
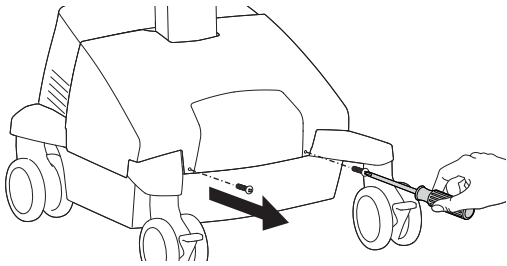


b Disconnect Power System from power source.

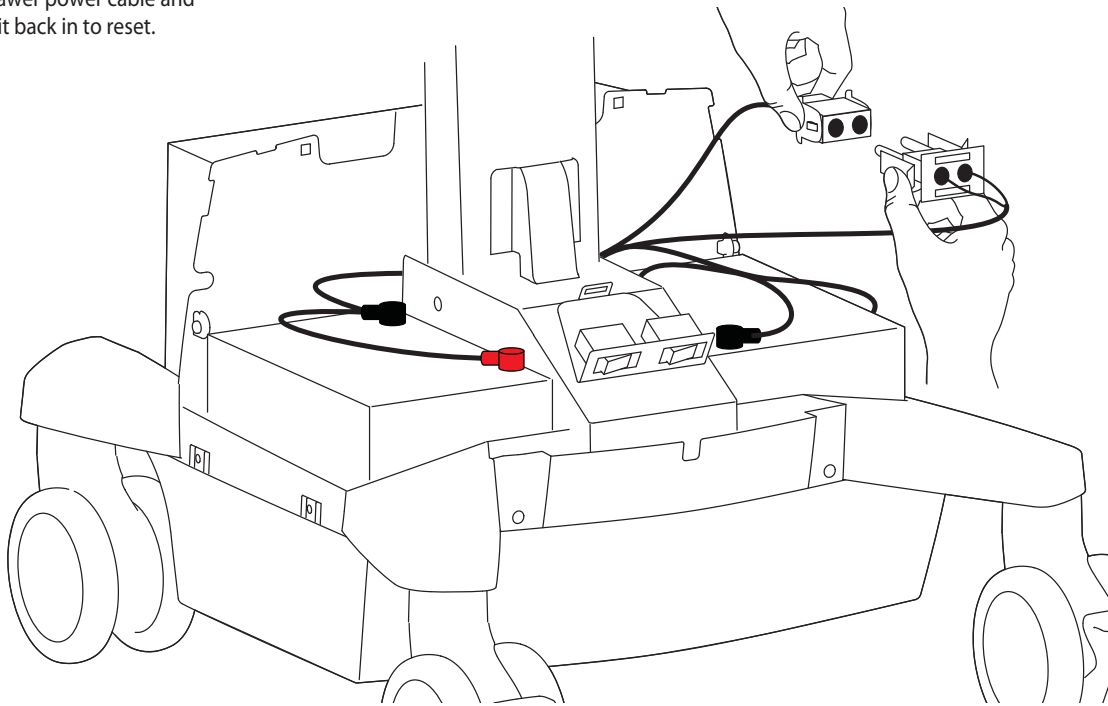


c Turn power system off by holding down the AC Outlet Power button for 1 - 3 seconds. Power light will shut off.

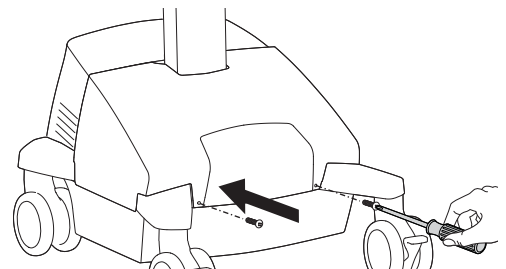
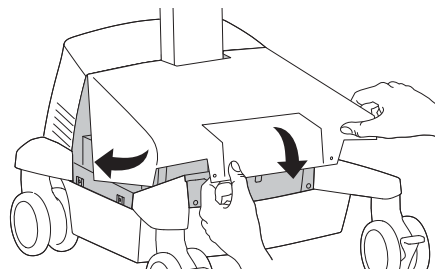
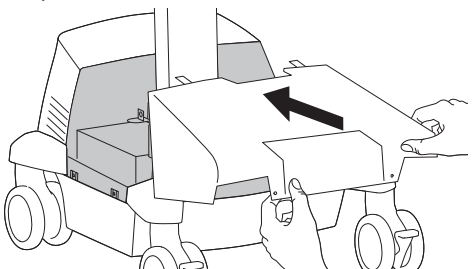
d Remove front base cover.



e Unplug drawer power cable and then plug it back in to reset.



f Replace front base cover.



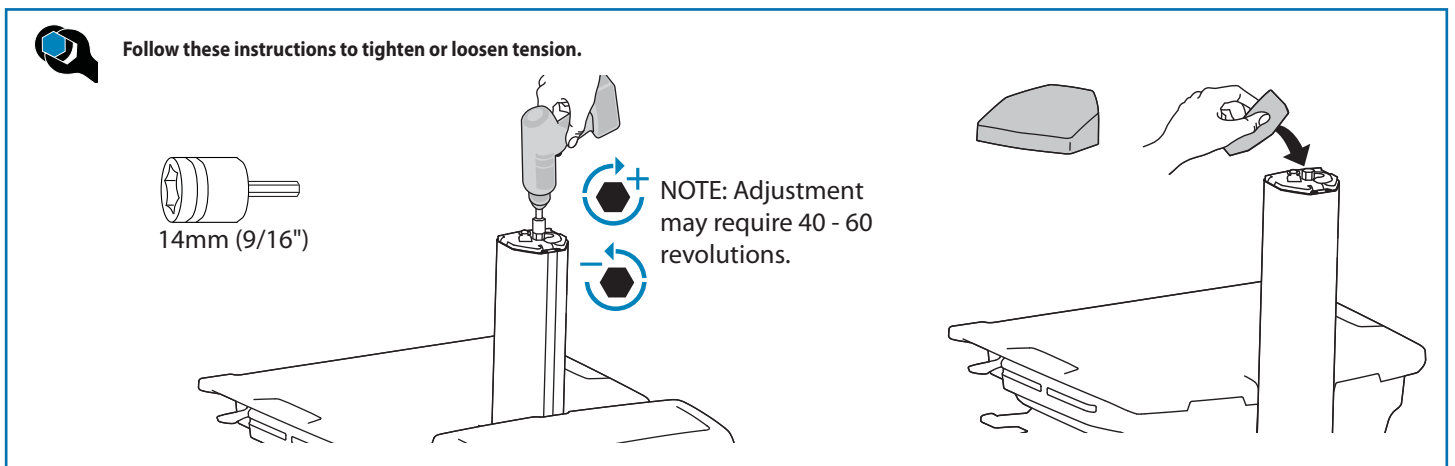
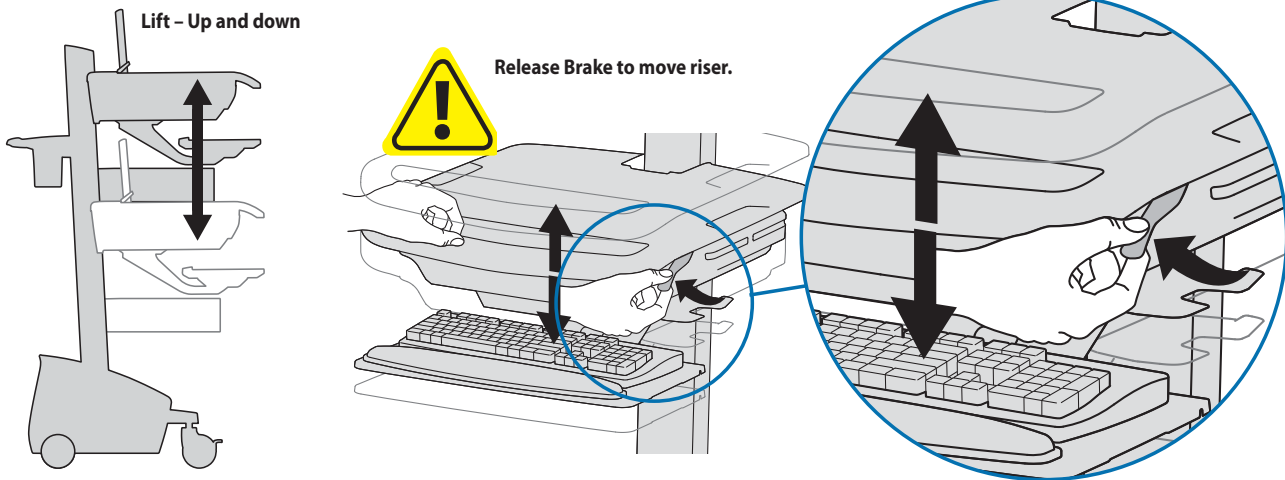
9

Adjustment

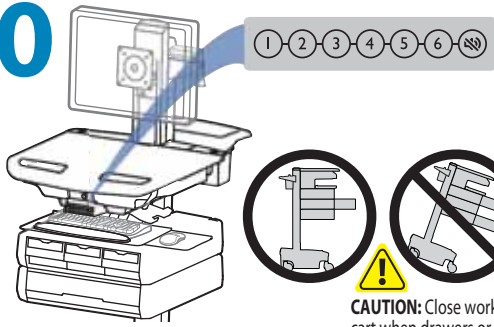


It is important that you adjust this product according to the weight of the mounted equipment as described in the following steps. Any time equipment is added or removed from this product, resulting in a change in the weight of the mounted load, you should repeat these adjustment steps to ensure safe and optimum operation.

Adjustments should move smoothly and easily through the full range of motion and stay where you set it. If adjustments are difficult and do not stay in the desired position, follow the instructions to loosen or tighten the tension to create a smooth, easy adjustment motion. Depending on your product and the adjustment, it may take several turns to notice a difference.



10



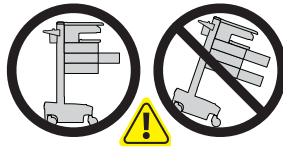
NOTE: User should change Master Personal Identification Number (PIN) upon receipt of cart.



Lost Master PIN

Contact Ergotron Customer Care for instructions.

Ensure that the main power system batteries are installed and functioning. The power does not need to be turned on at the power system user interface.



CAUTION: Close worksurface before opening drawers. Open only one drawer at a time. Do Not push cart when drawers or worksurface are open. Failure to follow these instructions may cause the cart to be unstable.

Set-up Master PIN for the First Time (Default Master PIN: 12345)

Contact Ergotron Customer Care for instructions if Master PIN is lost.

1. Enter Master PIN (All numbers associated with available drawers will light).
2. Simultaneously press 3 and 5 (Numbers 3 and 5 will light green).
3. Simultaneously press 3 and 5 again (Numbers 3 and 5 will flash green).
4. Simultaneously press 3 and 5 a third time (All numbers will light green). You have 5 seconds to enter the new Master PIN.
5. Input new 5 digit Master PIN (All numbers will flash green).
6. Wait 5 seconds for system to exit program mode (All numbers will flash green several times).

Programming User PINS

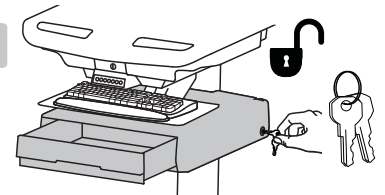
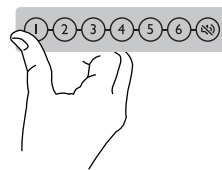
1. Enter Master PIN (All numbers associated with available drawers will light).
2. Simultaneously press 4 and 6 (Numbers 4 and 6 will light green).
3. Simultaneously press 4 and 6 again (Numbers 4 and 6 will flash green).
4. Simultaneously press 4 and 6 a third time (All numbers will light green). You have 10 seconds to enter a new User PIN.
5. Input new 5 digit User PIN (All numbers will flash green). You can continue to enter 5 digit User PINs until finished.

After sitting idle for 10 seconds, system will exit program mode (All numbers will flash green several times).

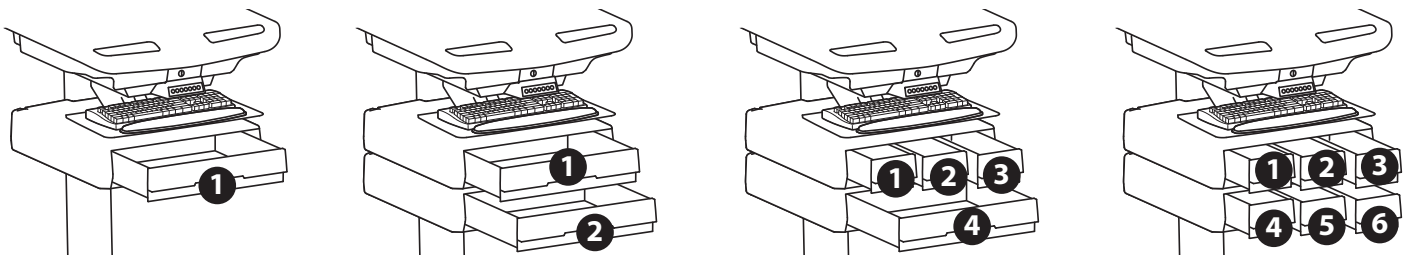
NOTE: System will hold up to 100 User PINs. Once 100 User PINs storage is exceeded, the oldest User PIN will be overwritten by the next User PIN programmed.

Unlock Drawer (3 methods):

- Enter Master PIN, then press desired drawer number*.
- Enter User PIN, then press desired drawer number*.
- Key - turn clockwise 1/4 turn



***Drawer Numbers:**



Lock Drawer:

- Wait 4 seconds for lock to engage automatically.

NOTE: Drawer must be fully closed to lock.

Drawer Troubleshooting

• Key pad numbers are dark:

- Touch anywhere on number pad to activate back-light, (drawer remains locked until you enter valid PIN).
- Check to make sure DC cable is connected.

• Drawer won't open when User PIN is entered:

- Test system by entering Master PIN. If drawer doesn't unlock, contact Ergotron customer care for "Lost Master PIN" instructions.

Lights: Meaning

1,2,3,4,5 or 6 and Red mute button

Flashing and alarm sounding: Drawer is open longer than 20 seconds. Mute button can be pressed to mute alarm. System will not function until drawer is shut and locked. The number corresponding to the open drawer will Flash Red on the keypad.

All available drawer numbers

Flashing Green: Waiting for drawer selection (see **Unlock Drawer**)

All available drawer numbers

Flashing Red: Firmware upgrade is happening

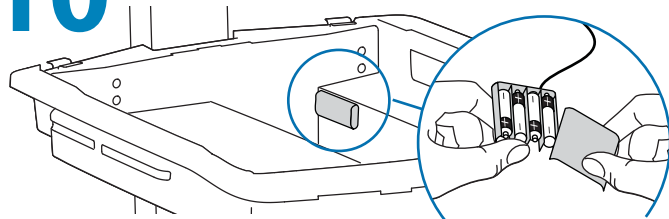
All flash once: New code accepted.

All flash three times: Exiting program mode.

Non-Powered Carts

10

AutoLock Drawer Battery Pack



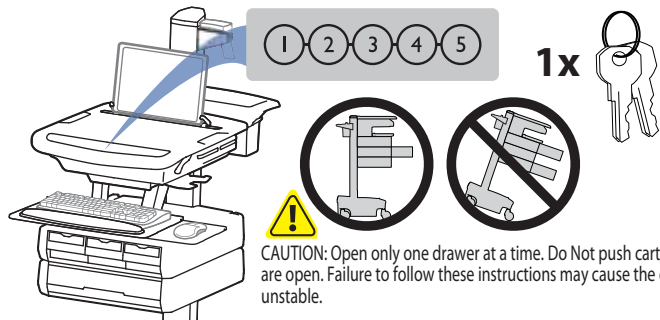
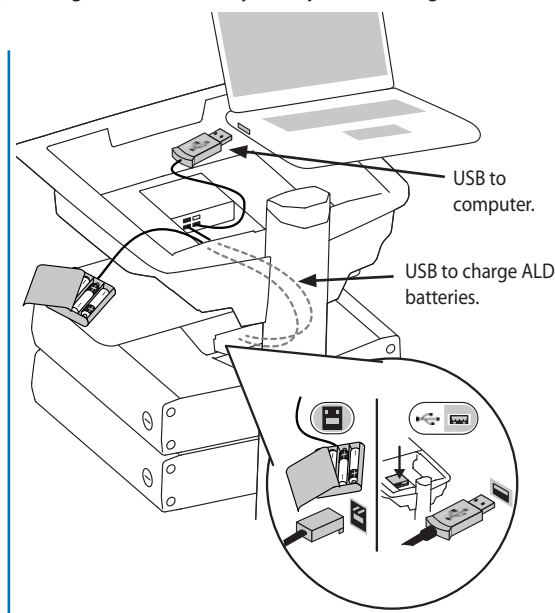
4x



CAUTION! Only use rechargeable batteries. Using non-rechargeable batteries may cause product damage.

AA Rechargeable Nickel Metal Hydride

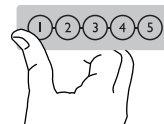
Before the Auto Lock Drawer will function, you will need to charge the ALD batteries for at least 1 or 2 hours. To charge ALD batteries computer needs to be powered on and connected to the USB hub.



CAUTION: Open only one drawer at a time. Do Not push cart when drawers are open. Failure to follow these instructions may cause the cart to be unstable.

Programming New PIN (Default Master PIN: 12345)

- 1 Enter Master PIN, then press 1.
- 2 Numbers 3 and 5 on the Keypad will start flashing, indicating the Master PIN has been accepted.
- 3 Simultaneously press 3 and 5 while they are flashing.
- 4 All the numbers will light (you have 3 seconds to enter a PIN).
- 5 Enter a new PIN—any sequence of 5 numbers. (The first PIN programmed is the new Master PIN.)
- 6 When the PIN is accepted, all of the LEDs will flash once in acknowledgement (you have 3 seconds to enter the next PIN).
- 7 You can then proceed to program up to 11 PINs by repeating steps 5 and 6.
- 8 When finished entering new PINs, system will exit program mode after 3 seconds with a series of LED flashes.

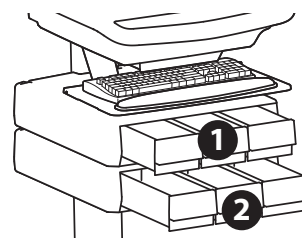
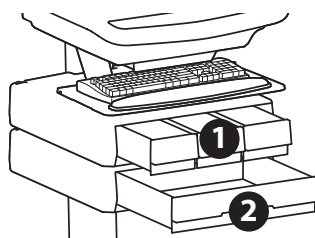
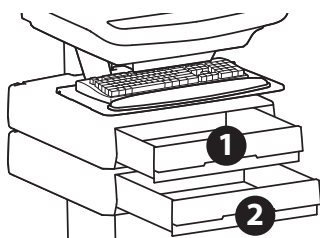
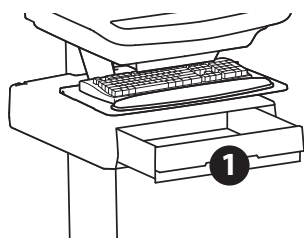


NOTE: User should change Master PIN upon receipt of cart.

Unlock Drawer (3 methods):

- Enter Master PIN, then press desired drawer number*.
- Enter User PIN, then press desired drawer number*.
- Key - turn clockwise 1/4 turn

*Drawer Numbers:



Lock Drawer (2 methods):

- Wait 4 seconds for drawer to lock automatically
- Press 1 and 2 on number pad simultaneously

Erase All Personal PINs (cannot erase only one PIN or Master PIN):

- 1 Enter Master PIN, then press 1.
- 2 Press 3 and 5 simultaneously (while blinking).
- 3 Press 1 and 2 simultaneously.

Lost Master PIN

Contact Ergotron Customer Care for instructions.

Drawer Troubleshooting

- Key pad numbers are dark
 - Touch anywhere on number pad to activate back-light, (drawer remains locked until you enter valid PIN)
 - Check to make sure battery pack is connected.
- PIN is accepted but drawer does not open
 - Make sure drawer is fully closed before entering PIN.
- Drawer won't open when User PIN is entered
 - Test system by entering Master PIN. If drawer doesn't unlock, contact Ergotron customer care for "Lost Master PIN" instructions.

Flashing LED: Meaning

- 1: Drawer is open
- 1 & 2: Waiting for drawer selection (see **Unlock Drawer**)
- 3 & 5: Unit is ready to program master or user PINs (see **Programming New PIN**)
- 5: Drawer is unlocked
- All: New PIN accepted



© 2012 Ergotron, Inc.
All rights reserved.

While Ergotron, Inc. makes every effort to provide accurate and complete information on the installation and use of its products, it will not be held liable for any editorial errors or omissions (including those made in the process of translation from English to another language), or for incidental, special or consequential damages of any nature resulting from furnishing this instruction and performance of equipment in connection with this instruction. Ergotron, Inc. reserves the right to make changes in the product design and/or product documentation without notification to its users. For the most current product information, or to know if this document is available in languages other than those herein, please contact Ergotron. No part of this publication may be reproduced, stored in a retrieval system, or transmitted in any form or by any means, electronic, mechanical, photocopying, recording or otherwise without the prior written consent of Ergotron, Inc., 1181 Trapp Road, Eagan, Minnesota, 55121, USA Patents Pending and Patented U.S. & Foreign. Ergotron is a registered trademark of Ergotron, Inc.

**Americas Sales and
Corporate Headquarters**

St. Paul, MN USA
(800) 888-8458
+1-651-681-7600
www.ergotron.com
sales@ergotron.com

EMEA Sales

Amersfoort, The Netherlands
+31 33 45 45 600
www.ergotron.com
info.eu@ergotron.com

APAC Sales

Tokyo, Japan
www.ergotron.com
apaccustomerservice@ergotron.com

Worldwide OEM Sales

www.ergotron.com
info.oem@ergotron.com