

## Zido® 8" Handle

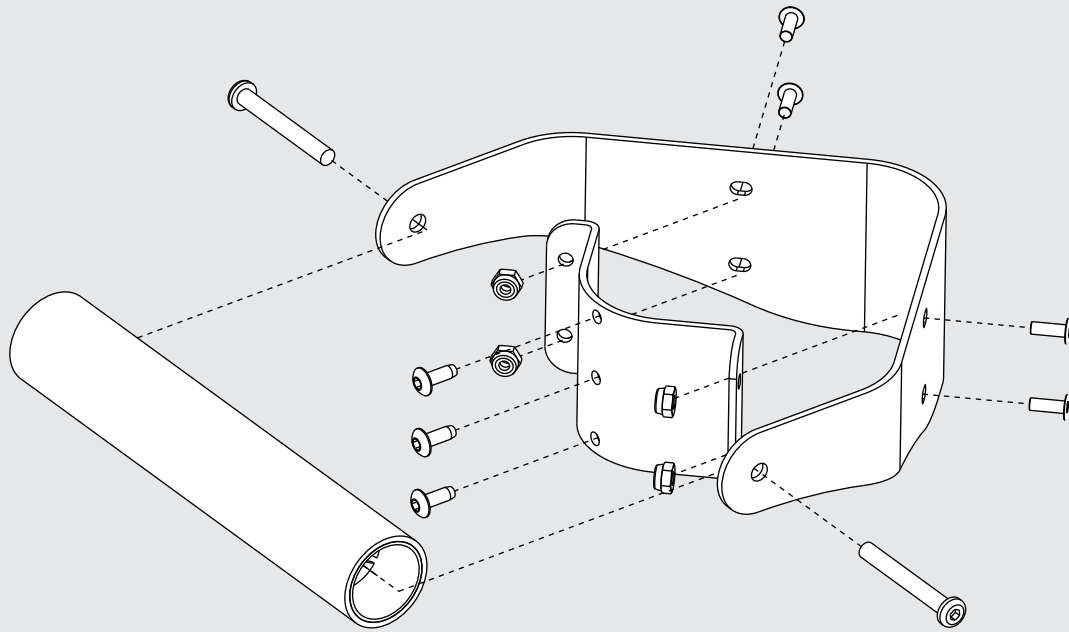


Product	Part#
Zido Handle 8"	ZHHSB

NOTE: Shown on a Zido Pole Cart, sold separately.

For the latest User Installation Guide please visit: [www.ergotron.com](http://www.ergotron.com)





## TOOLS

A 1/8" Hex Key is provided for this assembly. You'll also use the 5/32" hex Anthro driver which came with your Zido cart.

A 3/8" socket, nut driver, or wrench is required but not provided.

## PARTS LIST

Before beginning assembly of your Zido 8" Handle, please review the parts list to verify that your shipment is complete.

The fastener quantities listed here are the minimum required for your assembly. You may receive a few extras.

Product	Quantity	Part Number
01 Zido 8" Handle Bracket	1	225-2986-00
02 Zido 8" Handle Support	1	225-2985-00
03 Zido 8" Handle Tube	1	125-5337-00
04 Zido 8" Handle Wrap (Not shown; installed on the tube at the factory.)	1	175-5275-00
05 1/2" Self-threading Screws	3	325-5464-00
06 1/2" Flat-head Screws	4	325-5193-00
07 2" Button-head Screws	2	325-5034-00
08 10-24 Nylock Nut	4	325-5186-00
09 1/8" Hex Key (Not shown.)	1	375-5015-00

---

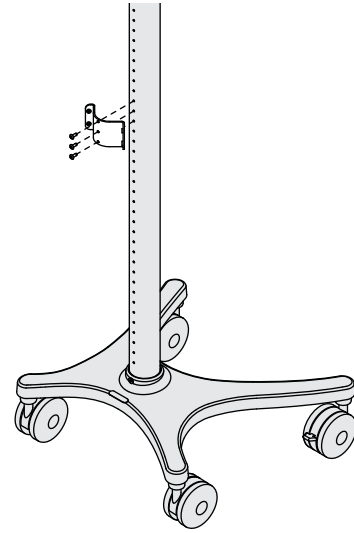
## STEP 1

### Install the Handle Bracket

- Select the installation point for the handle.
- Align the handle Bracket with the holes on the column or Extension Tube.
- Install the Handle Bracket with three 1/2" Self-threading Screws.



Self-threading Screw  
325-5464-00

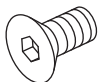


---

## STEP 2

### Install the Handle Support

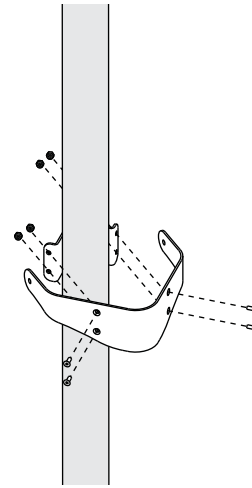
- Align the Handle Support with the Handle Bracket so that the curved side is on the bottom and the flat side is on top.
- Feed one 1/2" Button-head Screw through the Handle Support and the Handle Bracket and loosely capture with a Nylock Nut. Repeat for the remaining three screws and nuts, then tighten. Use the provided 1/8" Hex Key and your own 3/8" socket, nut driver, or wrench to tighten the fastener.



1/2" Flat-head Screw  
325-5193-00



Nylock Nuts  
325-5186-00

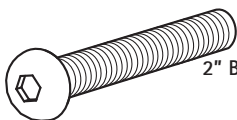


---

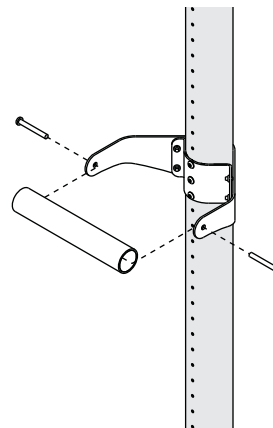
## STEP 3

### Install the Handle Tube

- Align the Handle Tube with the holes on the support.
- Using the 5/32" hex Anthro driver (it came with your cart), loosely attach with two 2" button-head screws.
- Tighten all the screws on the support, the bracket, and then on the tube.



2" Button-head Screw  
325-5034-00




For Warranty visit: [www.ergotron.com/warranty](http://www.ergotron.com/warranty)

For Service visit: [www.ergotron.com](http://www.ergotron.com)

For local customer care phone numbers visit: <http://contact.ergotron.com>

**Americas Sales and  
Corporate Headquarters**

1181 Trapp Rd.  
St. Paul, MN USA  
1-800-325-3841  
[www.ergotron.com](http://www.ergotron.com)  
[sales@ergotron.com](mailto:sales@ergotron.com)

	<p>While Ergotron, Inc. makes every effort to provide accurate and complete information on the installation and use of its products, it will not be held liable for any editorial errors or omissions (including those made in the process of translation from English to another language), or for incidental, special or consequential damages of any nature resulting from furnishing this instruction and performance of equipment in connection with this instruction. Ergotron, Inc. reserves the right to make changes in the product design and/or product documentation without notification to its users. For the most current product information, or to know if this document is available in languages other than those herein, please contact Ergotron. No part of this publication may be reproduced, stored in a retrieval system, or transmitted in any form or by any means, electronic, mechanical, photocopying, recording or otherwise without the prior written consent of Ergotron, Inc., 1181 Trapp Road, Eagan, Minnesota, 55121, USA. Patents Pending and Patented U.S. &amp; Foreign. Ergotron is a registered trademark of Ergotron, Inc.</p>
---	---

© 2016 Ergotron, Inc. All rights reserved.

All trademarks are the property of their respective companies. Anthro is a registered trademark and brand of Ergotron Inc. Anthro-DNA is a trademark of Ergotron Inc.