

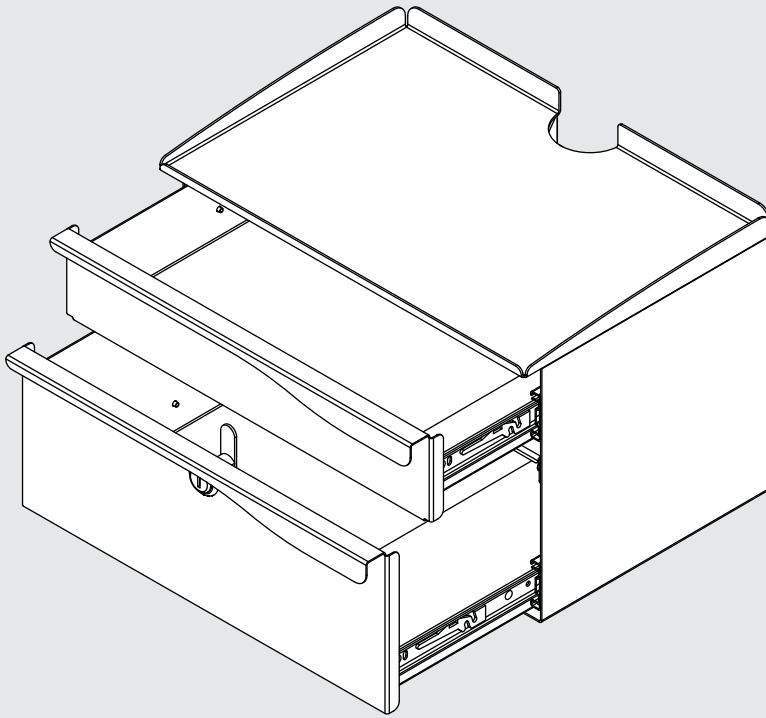
Zido® 2-drawer Enclosure



| Product | Part# |
|-------------------------|------------|
| Zido 2-drawer Enclosure | ZDE02SB/CG |

NOTE: The Zido cart is not included.

For the latest User Installation Guide please visit: www.ergotron.com



THIS IS A 2-PERSON JOB!

Grab a buddy!

TOOLS

A 7/16" nutdriver or socket is useful for this assembly.

PARTS LIST

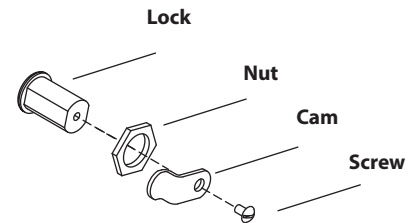
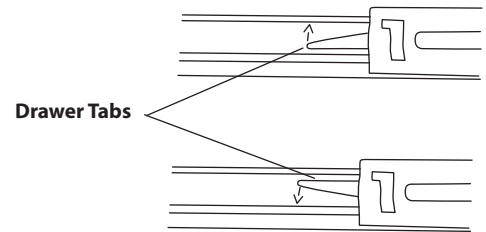
Before beginning assembly of your drawer enclosure, please review the parts list to verify that your shipment is complete.

| Product | Quantity | Part Number |
|--------------------------|----------|-------------|
| 01 Drawer Body | 1 | 835-539X-00 |
| 02 Upper Drawer Body | 1 | 835-5236-00 |
| 03 Lower Drawer Body | 1 | 835-5397-00 |
| 04 Enclosure Brackets | 2 | 225-2732-00 |
| 05 Self-threading Screws | 8 | 325-5464-00 |
| 06 Nylock Nuts | 8 | 325-5259-00 |
| 07 Lock Assembly | 1 | 325-5074-00 |

STEP 1

Remove the Drawers; Install the Lock

- Pull the drawer all the way out. Locate the drawer tabs on the glides on each side of the drawer body. Depress the drawer tabs (one goes up and one goes down) to release the drawer from the glides. Slide the drawer off the glides and set aside.
- Repeat for the lower drawer.
- Install the lock into the lower drawer. Insert the lock cylinder inside the lock body, then slide that assembly through the hole at the front of the drawer body. Attach the lock assembly to the lower drawer using the Nut. Make sure that the key is horizontal in the lock when the assembly is attached to the drawer. Locate the straight Cam in the kit. Slip the cam over the end of the lock and secure all the pieces with the screw using a Phillips screwdriver. Make sure that the Cam is facing up when the key is horizontal.



STEP 2

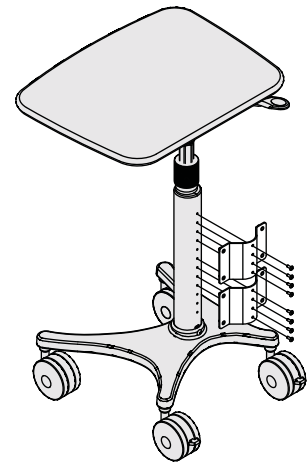
Install the Brackets onto the Column

- Select an installation point for the drawer body. When installed, the top of the drawer body will be about 1/2" above the top of the upper bracket.
- Install the top bracket using four 3/4" self-threading screws. Install the lower bracket with one hole open below the upper bracket.

Carefully tip the cart on its back so that the pins on the brackets are facing up.



Self-threading Screw
325-5464-00



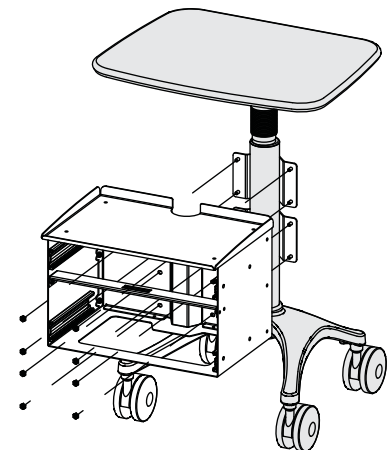
STEP 3

Install the Enclosure

- Lift the enclosure body onto the cart so that the pins on the brackets line up with the holes on the enclosure body.
- Attach the body to the brackets using a 7/16" nutdriver or socket or the 3-way wrench and eight Nylock Nuts.



1/4-20 Nylock Nuts
325-5259-00



STEP 4

Install the Drawers

- Slide the larger drawer into place. Move it in and out a few times to set the ball bearings in the glides.
- Slide the small drawer into place. Move it in and out a few times to set the bearings.

CONGRATULATIONS! YOUR DRAWER ENCLOSURE ASSEMBLY IS COMPLETE!



For Warranty visit: www.ergotron.com/warranty

For Service visit: www.ergotron.com

For local customer care phone numbers visit: <http://contact.ergotron.com>

Americas Sales and Corporate Headquarters

1181 Trapp Rd.
St. Paul, MN USA
1-800-325-3841
www.ergotron.com
sales@ergotron.com

| | |
|--|---|
|   <p>BUILT WITH ANTHRO-DNA™</p> | <p>While Ergotron, Inc. makes every effort to provide accurate and complete information on the installation and use of its products, it will not be held liable for any editorial errors or omissions (including those made in the process of translation from English to another language), or for incidental, special or consequential damages of any nature resulting from furnishing this instruction and performance of equipment in connection with this instruction. Ergotron, Inc. reserves the right to make changes in the product design and/or product documentation without notification to its users. For the most current product information, or to know if this document is available in languages other than those herein, please contact Ergotron. No part of this publication may be reproduced, stored in a retrieval system, or transmitted in any form or by any means, electronic, mechanical, photocopying, recording or otherwise without the prior written consent of Ergotron, Inc., 1181 Trapp Road, Eagan, Minnesota, 55121, USA. Patents Pending and Patented U.S. & Foreign. Ergotron is a registered trademark of Ergotron, Inc.</p> |
|--|---|

© 2016 Ergotron, Inc. All rights reserved.

All trademarks are the property of their respective companies. Anthro is a registered trademark and brand of Ergotron Inc. Anthro-DNA is a trademark of Ergotron Inc.